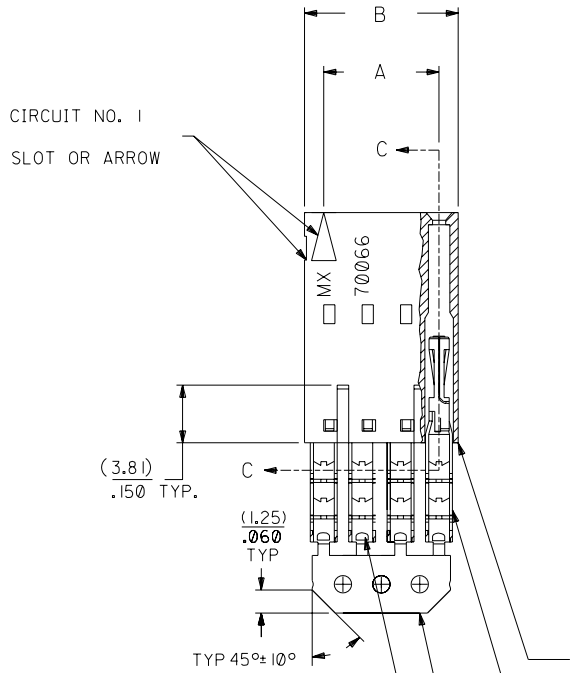
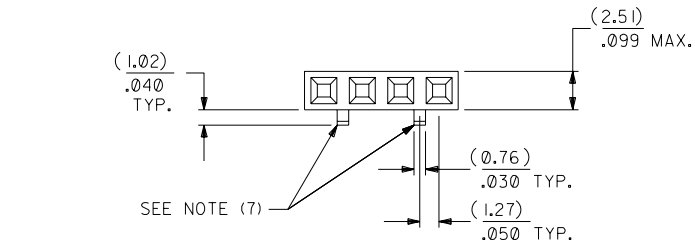


OPTION D

NOTES:

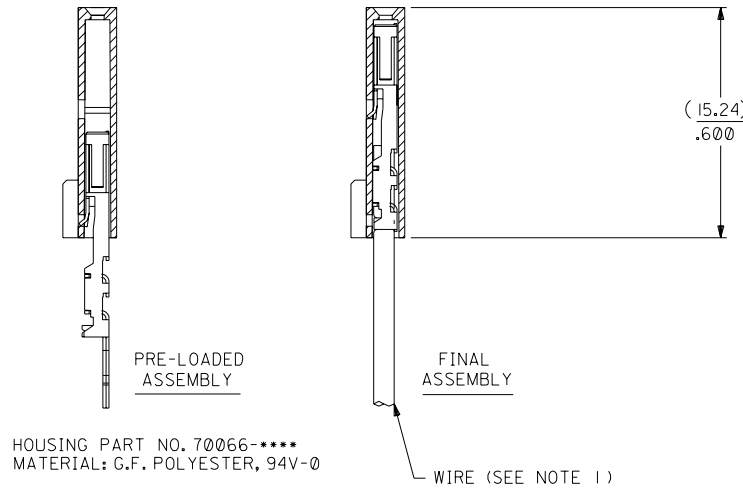
- 1) TO BE USED WITH (22) AWG. STRANDED WIRE WITH (1.35)/.053 DIA. MAX. INSULATION.
- 2) SEE CHART FOR CIRCUIT SIZES.
- 3) STANDARD PACKAGING PER PK-70873-0001. OPTIONAL PACKAGING MAY BE AVAILABLE, REQUEST DWG. PK-70400
- 4) PARTS STACKABLE END TO END ON (2.54)/.100 CENTERS.
- 5) REFER TO PRODUCT SPECIFICATION: PS-70400.
- 6) SEE DWG. SDA-70400-**** (SHT. 5) FOR OPTIONAL HOUSING DETAILS.
- 7) 4 CIRCUIT SHOWN. 3 - 25 CKT'S. HAVE (2) RIBS.
- 8) TO MATE WITH MOLEX PART NO'S.: 70004-****, 70013-****

9) 2 CIRCUIT ASSEMBLIES SUPPLIED AS GROUPED PAIRS.



I.D. SLOT CODE TO WIRE GAUGE CHART	
I.D. SLOT CODE	WIRE GAUGE
D	22 AWG.

PLATING CODE (STRIPE ON CARRIER STRIP)	
PLATING	COLOR
TIN	NONE



HOUSING PART NO. 70066-****
MATERIAL: G.F. POLYESTER, 94V-0

TERMINAL PART NO. 70028-****
MATERIAL: PHOSPHOR BRONZE
PLATING PER ES-88-***

TIN - .000150 MIN. TIN OVER
.000050 MIN. NICKEL PLATE.



CKT. SIZE	A	B	EDP. NO.	ENG. NO.
2	(2.54) .100	(5.05) .199	14-56-7021	A-70400-3070
3	(5.08) .200	(7.59) .299	14-56-7031	A-70400-3071
4	(7.62) .300	(10.13) .399	14-56-7041	A-70400-3072
5	(10.16) .400	(12.67) .499	14-56-7051	A-70400-3073
6	(12.70) .500	(15.21) .599	14-56-7061	A-70400-3074
7	(15.24) .600	(17.75) .699	14-56-7071	A-70400-3075
8	(17.78) .700	(20.29) .799	14-56-7081	A-70400-3076
9	(20.32) .800	(22.83) .899	14-56-7091	A-70400-3077
10	(22.86) .900	(25.37) .999	14-56-7101	A-70400-3078
11	(25.54) 1.000	(27.91) 1.099	14-56-7111	A-70400-3079
12	(27.94) 1.100	(30.45) 1.199	14-56-7121	A-70400-3080
13	(30.48) 1.200	(32.99) 1.299	14-56-7131	A-70400-3081
14	(33.02) 1.300	(35.53) 1.399	14-56-7141	A-70400-3082
15	(35.56) 1.400	(38.07) 1.499	14-56-7151	A-70400-3083
16	(38.01) 1.500	(40.61) 1.599	14-56-7161	A-70400-3084
17	(40.64) 1.600	(43.15) 1.699	14-56-7171	A-70400-3085
18	(43.18) 1.700	(45.69) 1.799	14-56-7181	A-70400-3086
19	(45.72) 1.800	(48.23) 1.899	14-56-7191	A-70400-3087
20	(48.26) 1.900	(50.77) 1.999	14-56-7201	A-70400-3088
21	(50.80) 2.000	(53.31) 2.099	14-56-7211	A-70400-3089
22	(53.34) 2.100	(55.85) 2.199	14-56-7221	A-70400-3090
23	(55.88) 2.200	(58.39) 2.299	14-56-7231	A-70400-3091
24	(58.42) 2.300	(60.93) 2.399	14-56-7241	A-70400-3092
25	(60.96) 2.400	(63.47) 2.499	14-56-7251	A-70400-3093

*THE PRIMARY SHIPPING CARTON WILL BE LABELED "COMPLIANT TO ROHS DIRECTIVE 2002/95/EC AND ELV ANNEX II OF DIRECTIVE 2000/53/EC". CARTONS WITHOUT THIS LABEL MAY CONTAIN PRODUCT WITH LEAD.

E		C		D		A	
LEAD FREE UCP2004-1769 RWHITE 04/03/22	REVISED PER ECR NO. U82110 10-17-88	ADD CARRIER CHAMF ECN #UDT1998-0280 05/20/98 LMCGRATH	REVISE PER ECR #U80110 2/3/88 MJM	164 PLATING WAS 102 PER ECR # U30941 07/13/93 REED	RELEASE FOR PROD. PER ERO NO. 25421 10-26-87	DIMENSIONS SHOWN (METRIC) INCH UNLESS OTHERWISE SPECIFIED TOLERANCES: ANGULAR ± 1/2°	
DRAFT WHERE APPLICABLE MUST REMAIN WITHIN DIMENSIONS		DRAFT WHERE APPLICABLE MUST REMAIN WITHIN DIMENSIONS		DRAFT WHERE APPLICABLE MUST REMAIN WITHIN DIMENSIONS		DRAFT WHERE APPLICABLE MUST REMAIN WITHIN DIMENSIONS	
DRWG. BY: AAB		CHK'D. BY: WAZ		SCALE: 4:1		MFG. SH. REV.	
LTR. REVISIONS		LTR. REVISIONS		LTR. REVISIONS		LTR. REVISIONS	

REVISIONS		REVISIONS		REVISIONS		REVISIONS	
1	PLATE ± .010	2	PLATE ± .014 ± 0.25	3	PLATE --- ± 0.35	TITLE: ASSEMBLY, SL CONNECTOR (SINGLE ROW- (2.54)/.100 GRID)	
MOLEX INCORPORATED				SHEET NO. DATE: 10/26/87		PART NO. DRWG. NO. SDA-70400-3070-3093	
FILE NAME: 74003070.DGN				THIS DRAWING CONTAINS INFORMATION THAT IS PROPRIETARY TO MOLEX INC. AND SHOULD NOT BE USED WITHOUT WRITTEN PERMISSION.		DIV. IDA	