

LOW EMI SPREAD SPECTRUM CRYSTAL CLOCK OSCILLATORS



7.43 x 5.34 x 2.6mm

ASSL1 or ASSV1



RoHS Compliant

FEATURES:

- Integrated spread spectrum technology
- Standard TTL or CMOS output
- Meets jitter requirements for all major CISC, RISC & DSP processors
- 8 MHz to 128 MHz output frequency range
- Modulated clock reduces electromagnetic emissions up to 20dB
- Reduces engineering and compliance costs

APPLICATIONS:

- Printers, Digital Copy Machines, Scanners, Modems, Navigation Equipment, Automotive, Audio, Medical Electronics, Telecommunications, Aerospace

Drop-in Replacement for Industry Standard 7 x 5 mm Package!

STANDARD SPECIFICATIONS:

PARAMETERS

ABRACON P/N	ASSL1 or ASSV1 Series
Frequency Range	8MHz to 128MHz
Operating Temperature	0°C to + 70°C
Storage Temperature	- 60°C to + 150°C (see options)
Frequency Stability vs. Temp.	± 100 ppm (see options)
Supply voltage	ASSL1 (Vdd) = 5.0V ±5% ; ASSV1 (Vdd) = 3.3V ±5%
Supply Current (Idd)	30mA
Rise time / Fall time	5ns max., 3.5ns typ.
Load Capacitance CL	10pF TTL, 15pF typ.
Output Voltage (VOL) (VOH)	VOL1 @ 4mA = 0.4V max. ; VOL2 @ 10mA = 1.2V max. VOH1 @ 4mA = 2.4V min. ; VOH2 @ 6mA = 2.0V min.
Rise Time (Tr)	2nsec min, 5nsec max
Fall Time (Tf)	2nsec min, 4.4nsec max
Duty Cycle	40% to 60%, 50% typ.
Start-up Time	10ms max., 3ms typ.
Aging	±5ppm per year
Bandwidth Accuracy	±10% max.
Cycle to Cycle Jitter	8MHz = 450psec ; 16MHz = 400psec ; 32MHz = 380MHz psec ; 64MHz = 380psec ; 128MHz = 380psec

OPTIONS & PART IDENTIFICATION:

(Left blank if standard)

ASS □1-Frequency-□-□-□-□

P/N	Operating Temp.		Freq. Stability		SSBW	Packaging	
ASSL1(5V)	Blank	0°C to +70°C	Blank*	±100ppm	C1 or C3	T	Tape and Reel (1000pcs)
ASSV1(3.3V)	E	-20°C to +70°C	R	±25ppm	See table 1	T	
	L	-40°C to +85°C	K	±30ppm			
			H	±35ppm			
			C	±50ppm			

SSBW: Spread Spectrum Band Width
(Downspread available. Please contact us.)

ABRACON IS
ISO 9001 / QS 9000
CERTIFIED



ABRACON
CORPORATION

Visit www.abracon.com for Terms & Conditions of Sale **Revised: 07.06.07**
30332 Esperanza, Rancho Santa Margarita, California 92688
tel 949-546-8000 | fax 949-546-8001 | www.abracon.com

LOW EMI SPREAD SPECTRUM CRYSTAL CLOCK OSCILLATORS



7.43 x 5.34 x 2.6mm

ASSL1 or ASSV1



RoHS
Compliant

Absolute Maximum Ratings

Supply Voltage (Vdd)	3.0VDC min. to 6.0VDC max.
Operating Temperature (TOPR)	-40°C to 85°C
Storage Temperature (TSTO)	-65°C to 150°C
Junction Temperature (TJUN)	+150°C

BANDWIDTH ORDERING CODE: SPREAD SPECTRUM BANDWIDTH SELECTION TABLE

FREQUENCY (MHZ)	CENTER SPREAD SELECTION CODE (%)		MODULATION (kHz)
	C1	C3	
Frequency range			
8 ~ 10	± 1.4	± 0.6	31.25 ~ 39.06
10 ~ 12	± 1.3	± 0.5	39.06 ~ 46.88
12 ~ 14	± 1.2	± 0.5	46.88 ~ 54.69
14 ~ 16	± 1.1	± 0.4	54.69 ~ 62.50
16 ~ 20	± 1.4	± 0.6	31.25 ~ 39.06
20 ~ 24	± 1.3	± 0.5	39.06 ~ 46.88
24 ~ 28	± 1.2	± 0.5	46.88 ~ 54.69
28 ~ 32	± 1.1	± 0.4	54.69 ~ 62.50
32 ~ 40	± 1.4	± 0.6	31.25 ~ 39.06
40 ~ 48	± 1.3	± 0.5	39.06 ~ 46.88
48 ~ 56	± 1.2	± 0.5	46.88 ~ 54.69
56 ~ 64	± 1.1	± 0.4	54.69 ~ 62.50
64 ~ 80	± 1.4	± 0.6	31.25 ~ 39.06
80 ~ 96	± 1.3	± 0.5	39.06 ~ 46.88
96 ~ 112	± 1.2	± 0.5	46.88 ~ 54.69
112 ~ 128	± 1.1	± 0.4	54.69 ~ 62.50

Downspread is available. Please contact us.



LOW EMI SPREAD SPECTRUM CRYSTAL CLOCK OSCILLATORS



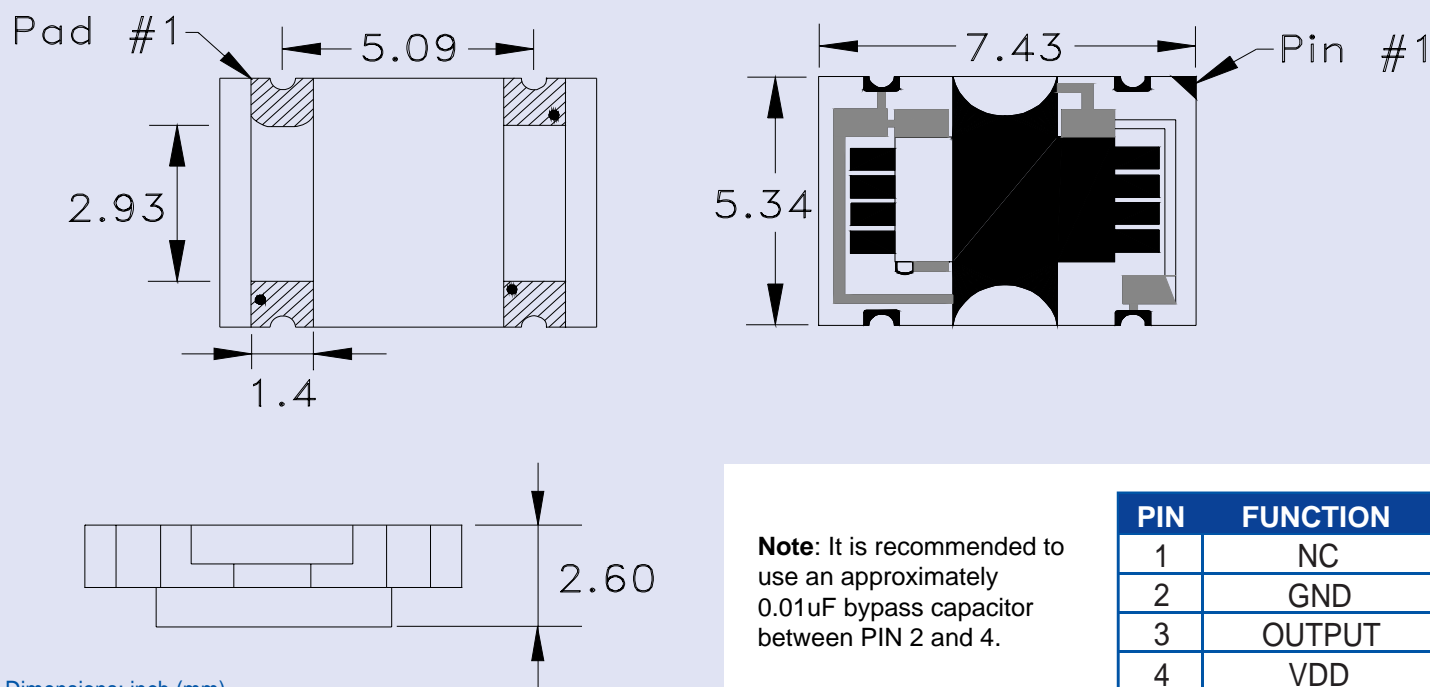
7.43 x 5.34 x 2.6mm

ASSL1 or ASSV1

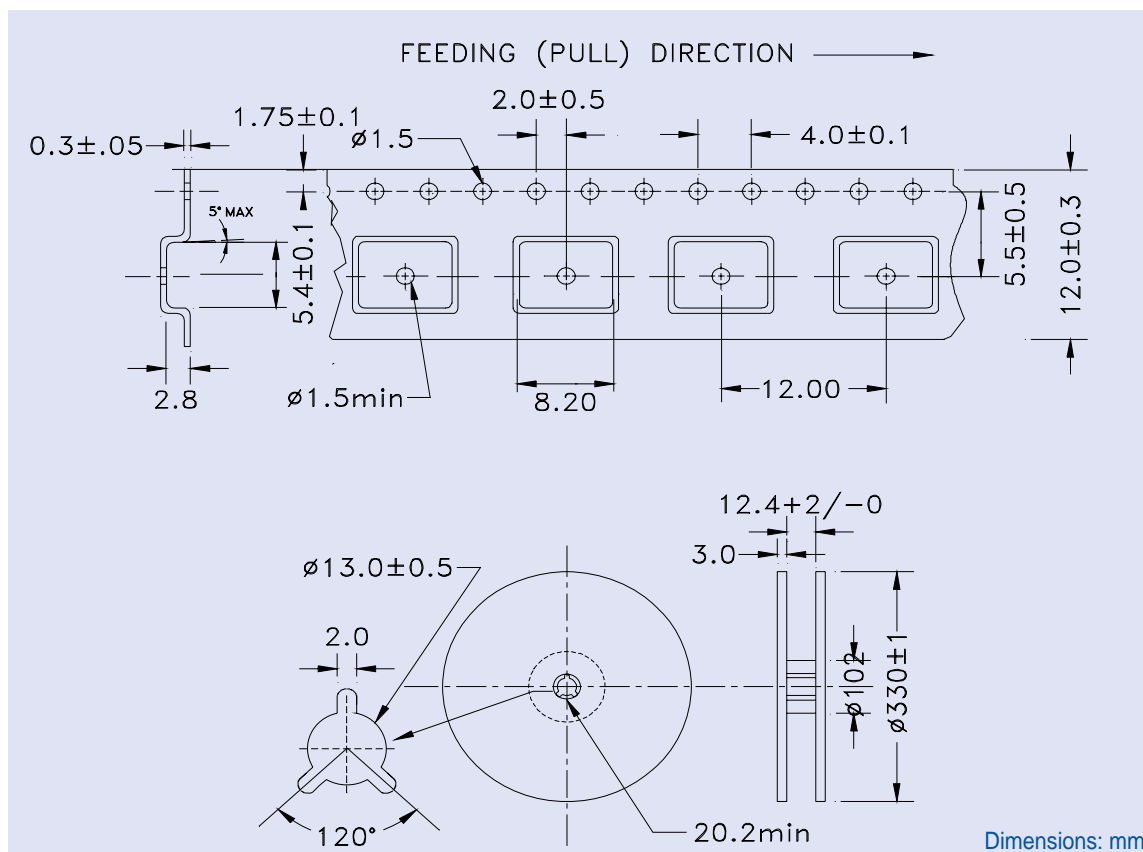


RoHS
Compliant

OUTLINE DRAWING:



TAPE & REEL: T = Tape and reel 1,000pcs/reel



ABRACON IS
ISO 9001 / QS 9000
CERTIFIED



Visit www.abracon.com for Terms & Conditions of Sale **Revised: 07.06.07**
30332 Esperanza, Rancho Santa Margarita, California 92688
tel 949-546-8000 | fax 949-546-8001 | www.abracon.com