

Part	L (μ H)	Tol %	R _{DC} MAX (Ω)	I _{bc} (A)
CDR74B-100	10 @ 2.52 MHz	M	0.07	1.65
CDR74B-120	12 @ 2.52 MHz	M	0.07	1.57
CDR74B-150	15 @ 2.52 MHz	M	0.08	1.39
CDR74B-180	18 @ 2.52 MHz	M	0.1	1.29
CDR74B-220	22 @ 2.52 MHz	M	0.13	1.12
CDR74B-270	27 @ 2.52 MHz	M	0.16	1.06
CDR74B-330	33 @ 2.52 MHz	M	0.18	0.97
CDR74B-390	39 @ 2.52 MHz	M	0.18	0.91
CDR74B-470	47 @ 2.52 MHz	M	0.27	0.8
CDR74B-560	56 @ 2.52 MHz	L,M	0.29	0.76
CDR74B-680	68 @ 2.52 MHz	L,M	0.33	0.68
CDR74B-820	82 @ 2.52 MHz	L,M	0.43	0.62
CDR74B-101	100 @ 1.0 kHz	L,M	0.49	0.55
CDR74B-121	120 @ 1.0 kHz	L,M	0.68	0.49
CDR74B-151	150 @ 1.0 kHz	L,M	0.94	0.44
CDR74B-181	180 @ 1.0 kHz	L,M	1	0.4
CDR74B-221	220 @ 1.0 kHz	L,M	1.18	0.36
CDR74B-271	270 @ 1.0 kHz	L,M	1.3	0.33

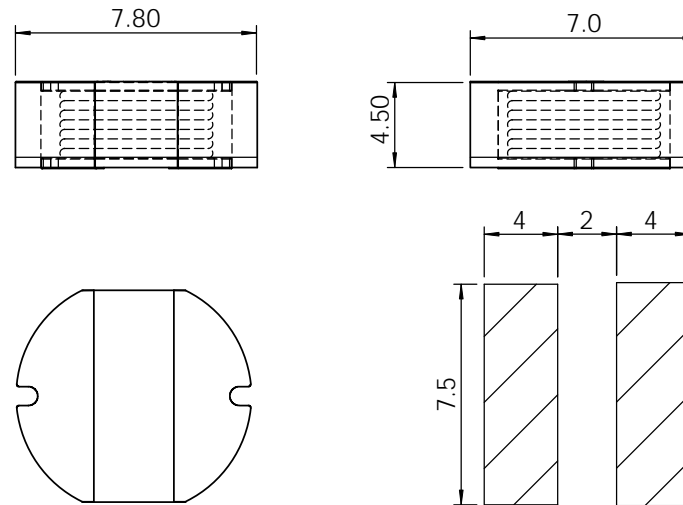
SPECIFICATION

TYPE = CDR74B
CONSTRUCTION = SURFACE MOUNT POWER INDUCTOR
TERMINAL COATING = NICKEL / SILVER
OPERATING TEMP. = -40 TO +85 °C
STORAGE TEMP = -55 TO +125 °C
INSULATION RESISTANCE = 100MOhm. 100V TERMINAL-CORE
DIELECTRIC STRENGTH = 250Vac TERMINAL-CORE
HUMIDITY EFFECTS = L±5 @ 95%RH, 40 °C, 1HR
Q±5 @ 95%RH, 40 °C, 1HR

PACKAGING = 1000PCS/REEL
MARKING = 3 CHARACTERS, VALUE

NOTE

TOLERANCES L=15%; M=20%.



PROPRIETARY AND CONFIDENTIAL THE INFORMATION CONTAINED IN THIS DRAWING IS THE SOLE PROPERTY OF AIT COMPONENTS LTD. ANY REPRODUCTION IN PART OR AS A WHOLE WITHOUT THE WRITTEN PERMISSION OF AIT COMPONENTS LTD IS STRICTLY PROHIBITED.		NAME	DATE	AIT COMPONENTS LTD www.aitcomponents.com
	DRAWN			
	CHECKED			
	MATERIAL	--	ENG APPR.	
FINISH	--	UNLESS OTHERWISE SPECIFIED DIMENSIONS ARE IN MILLIMETERS TOLERANCES: ONE PLACE DECIMAL +/-0.3 TWO PLACE DECIMAL +/-0.13 ANGLE +/-1 DEGREE		SIZE A DWG. NO. CDR74B SMD POWER INDUCTOR REV. 00
DO NOT SCALE DRAWING			SCALE:1:1	SHEET 1 OF 1