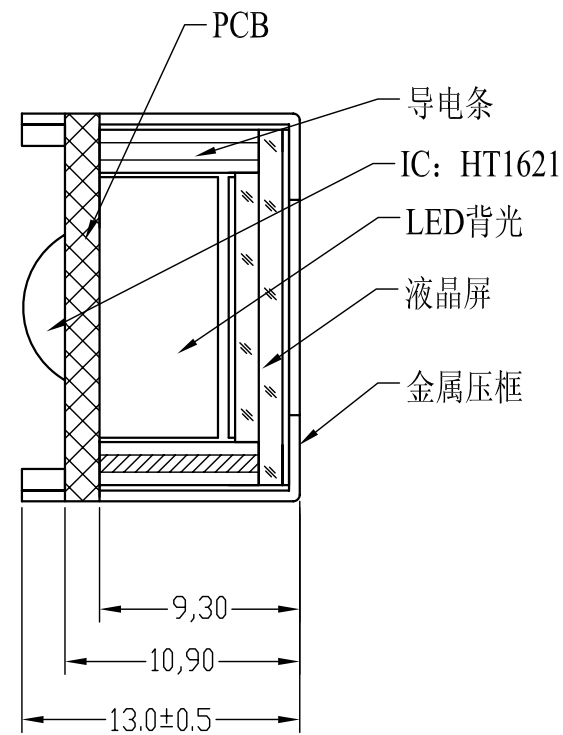
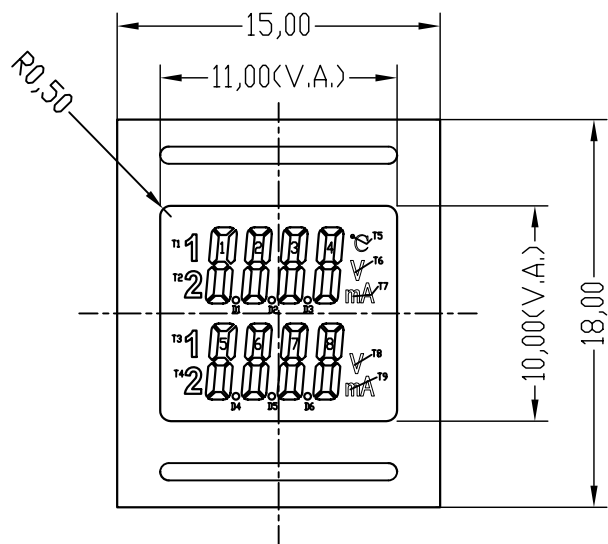
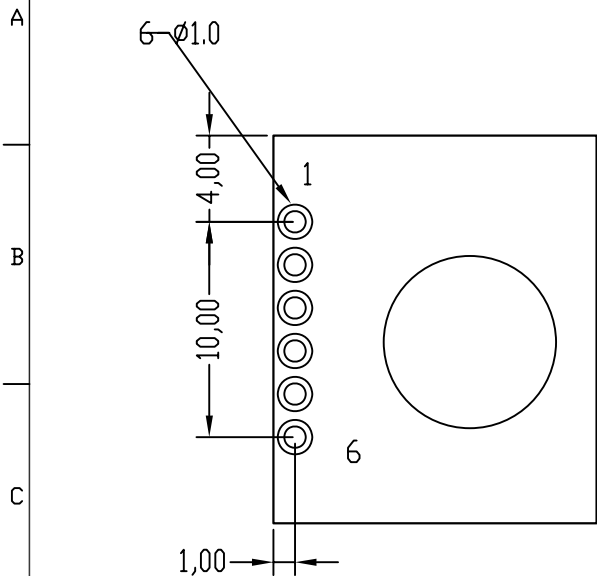
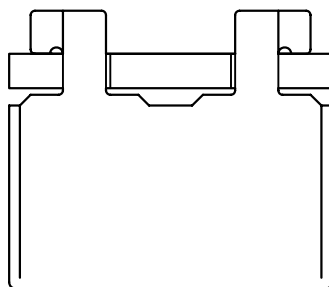


REV.	CHANGE CONTENT	BY	DATE
B	修改连接器与背光脚的位置		06.10.24



### 接口定义:

6	5	4	3	2	1
A	VCC	VSS	DATA	WR	CS



#### NOTE:

- Driving: Duty: 1/4, Bias: 1/3, VLCD: 3.3V, VDD: 5.0V
- Viewing angle: 6 °clock
- Display mode: FSTN/Positive/Transflective
- Operating temp: 0°C~+50°C  
Storage temp: -10°C~+60°C
- IC: HT1621
- Backlight: LED white 1\*LED 5.0V 15mA

	S0	S1	S2	S3	S4	S5	S6	S7	S8	S9	S10	S11	S12	S13	S14	S15	S16	S17
C0	T2	5D	5C	6D	6C	7D	7C	8D	8C	T8	4C	4D	3C	3D	2C	2D	1C	1D
C1	T1	5E	5G	6E	6G	7E	7G	8E	8G	T7	4G	4E	3G	3E	2G	2E	1G	1E
C2	T4	5F	5B	6F	6B	7F	7B	8F	8B	T6	4B	4F	3B	3F	2B	2F	1B	1F
C3	T3	5A	D4	6A	D5	7A	D6	8A	T9	T5		4A	D3	3A	D2	2A	D1	1A

TOLERANCE		<b>HTDISPLAY CO., LTD.</b>				DRAWING No. : HS0018C-FF60L-VB		
>0~6	±0.10					DRAWING TITLE: LCD MODULE		
>6~80	±0.20	DESIGN		LI JINTANG	06.03.14	STANDARD	REV. : B	SCALE : -
>80~240	±0.30	CHECKED				TECHNOLOGY	PROJECTION:	UNIT : MM
>240~400	±0.50	APPROVED				Q.A		1/1
// ⊥ ⊙ ±0.10								