



# Tactile Switches 6mm × 5.3mm Radial Taped Top Push

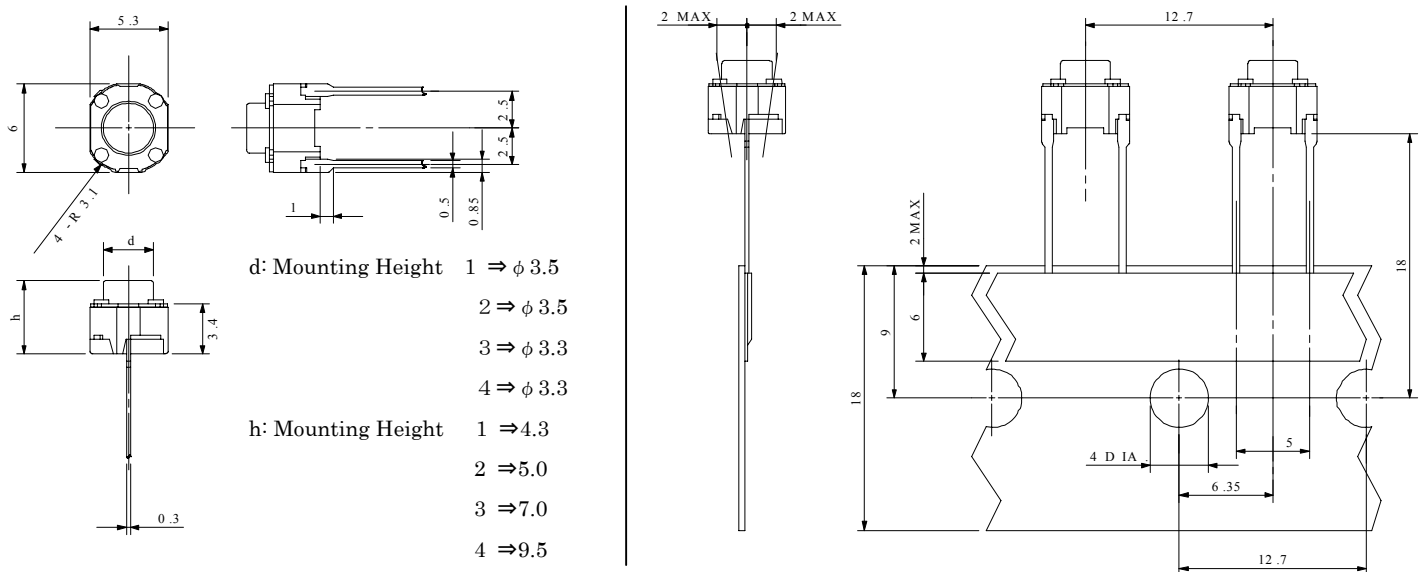
General

## ■ Features

- RoHS Directives-compliant product
- Crisp clicking by tactile feedback
- Take less space on PCB (87.8 % of our conventional 6 × 6 type)
- Prevent flux rise by insert-molded terminal
- Radial taping for auto insertion and auto dip-soldering



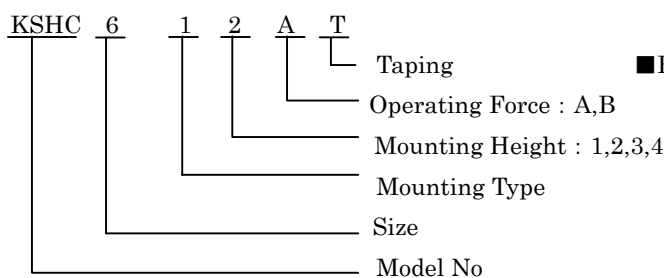
## ■ Dimensions (Unit : mm)



## ■ Specifications

| Item                            | Specification                     | Unit | Note   |
|---------------------------------|-----------------------------------|------|--------|
| Operating Temperature Range     | -25~+70                           | °C   |        |
| Storage Temperature Range       | -40~+85                           | °C   |        |
| Type of Operation               | Tactile Feedback                  |      |        |
| Circuit Configuration           | Push-On Momentary, 1 pole-1 throw |      |        |
| Power Rating                    | MAX 50mA 24VDC                    |      |        |
| Contact Resistance              | MAX 100                           | mΩ   |        |
| Insulation Resistance           | 100MΩ Min. at 100VDC              |      |        |
| Dielectric Withstanding Voltage | 250VAC for 1 minute               |      |        |
| Operation Life                  | 100,000 times                     |      |        |
| Contact Bounce                  | MAX 5                             | ms   |        |
| Operating Force                 | 0.98±0.49                         | N    | A type |
|                                 | 1.57±0.49                         | N    | B type |
| Return Force                    | MIN 0.10                          | N    | A type |
|                                 | MIN 0.49                          | N    | B type |
| Travel                          | 0.25 +0.2/-0.1                    | mm   |        |

## ■ Model Designation



## ■ Packaging Quantity

2,500 pcs / Box

## ■ Recommended Mounting Hole Dimensions Unit:mm

