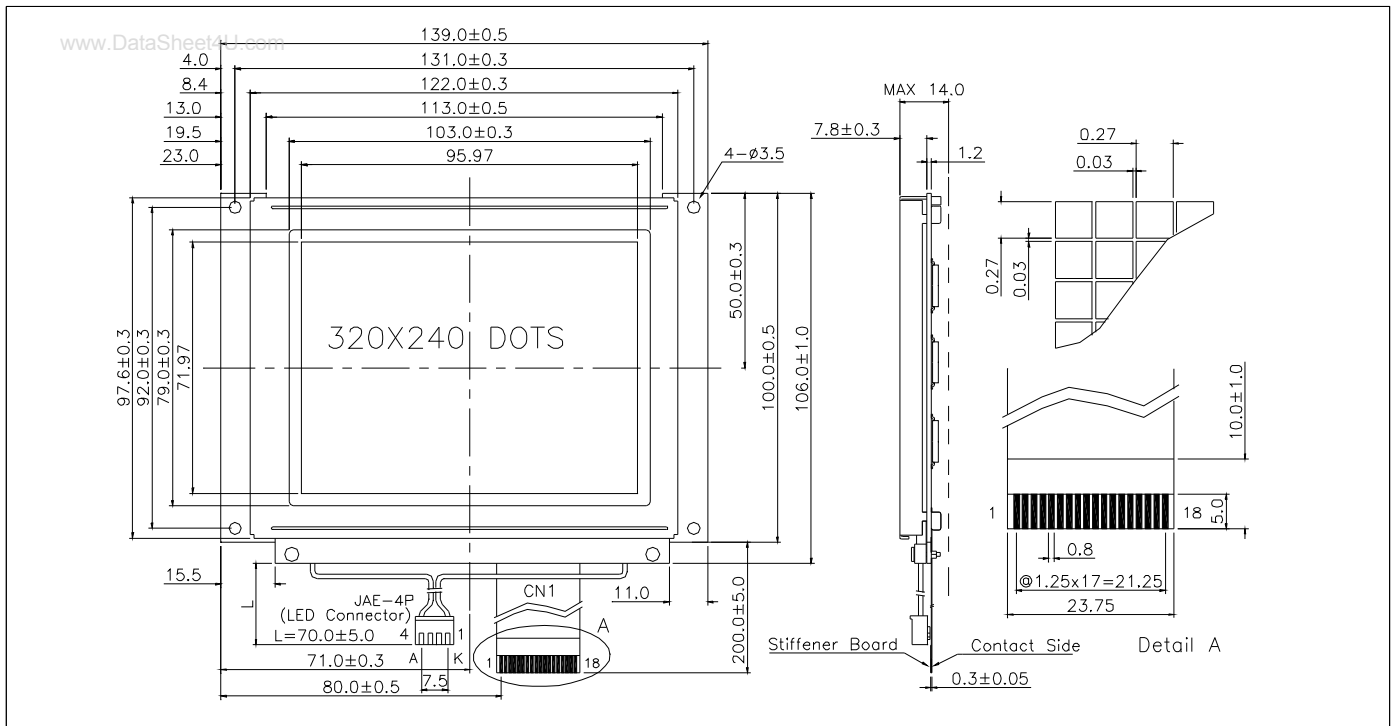


LG3202403-DW 4.7", 320 x 240 dots + white led backlight with dc-dc converter



ABSOLUTE MAXIMUM RATINGS

Item	Symbol	Min.	Max.	Unit
Supply Voltage(Logic)	V _{DD} - V _{SS}	-0.3	7.0	V
Supply Voltage(LCD)	V _{DD} - V _O	-0.3	30.0	V
Input Voltage	V _I	-0.3	V _{DD} + 0.3	V
Operating Temp.	T _{opr}	-20	70	°C
Storage Temp.	T _{stg}	-30	80	°C

MECHANICAL DATA

Item	Nominal Dimensions	Unit
Module Size (W x H x T)	139.0 x 106.0 x 14.0	mm
Viewing Area (W x H)	103.0 x 79.0	mm
Dot Pitch (W x H)	0.30 x 0.30	mm
Dot Size (W x H)	0.27 x 0.27	mm
Weight	Approx. 190	g

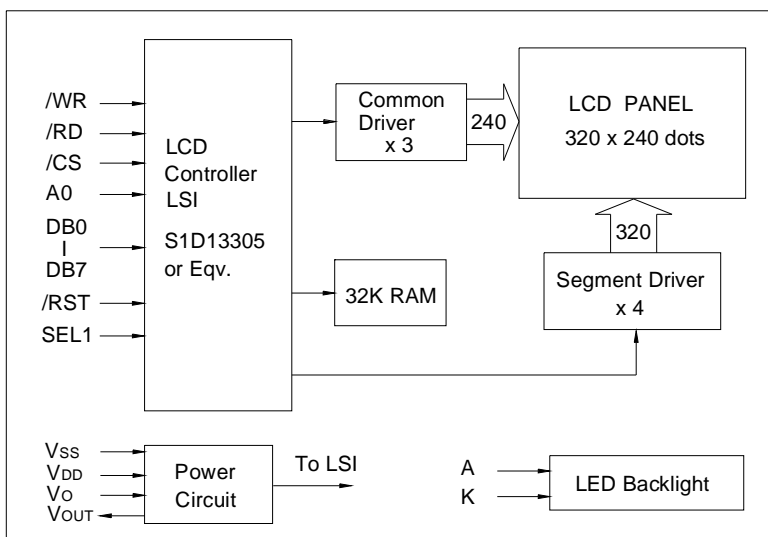
ELECTRICAL CHARACTERISTICS (V_{DD}=5V±0.25V)

Item	Symbol	Test Condition	Min.	Typ.	Max.	Unit
Input High Voltage	V _{IH}	--	0.5V _{DD}	--	V _{DD}	V
Input Low Voltage	V _{IL}	--	0	--	0.2V _{DD}	V
Supply Current	I _{DD}	V _{DD} = 5.0V	--	40.0	60.0	mA
LCD Driving Voltage	V _{DD} - V _O	T _a =25°C	--	26.0	--	V

PIN CONNECTIONS (CN1/CN2/CN5)

Pin	Symbol	Level	Function
1	V _{SS}	0V	GND
2	V _{DD}	3.3-5V	Power supply for logic
3	V _O	--	Operating voltage for LCD
4	A0	H/L	Data type selection
5	/WR(R/W)	H/L	/WR for 80 MPU, R/W for 68 MPU
6	/RD(E)	H/L	/RD for 80 MPU, E for 68 MPU
7	DB0	H/L	Data bus line
8	DB1	H/L	
9	DB2	H/L	
10	DB3	H/L	
11	DB4	H/L	
12	DB5	H/L	
13	DB6	H/L	
14	DB7	H/L	
15	/CS	L	Chip enable signal, active "L"
16	/RST	L	Reset signal, active "L"
17	V _{OUT}	-23.5V	Output voltage for LCD driving
18	SEL1	H/L	MPU Interface selection L: 8080 MPU H: 6800 MPU

BLOCK DIAGRAM



LED BACKLIGHT SPECIFICATIONS (T_a=25°C)

Item	Symbol	Typ.	Max.	Unit
Forward Voltage	V _f	3.8	4.0	V
Forward Current	I _f	180	--	mA
LED Color		White		