



## 150W MICRO ATX PC Power with 1U Type

**1U150 series**

**■ Features :**

- AC input range selected by switch
- With +5VSB:0 ~ 1.5A max.
- Power good signal output
- Power fail signal output
- High efficiency
- Approvals: UL/ CUL/ CB /CE
- Forced air cooling by built-in DC fan
- 100% full load burn-in test
- Low cost
- 1 year warranty


**SPECIFICATION**

MODEL	CH1	CH2	CH3	CH4	CH5	STANDBY	
OUTPUT	DC VOLTAGE	3.3V	5V	12V	-5V	-12V	5VSB
	MINIMUM CURRENT	1.2A	2.4A	1.0A	0.1A	0.1A	0A
	MAXIMUM CURRENT	6.0A	12A	5.0A	0.5A	0.5A	1.5A
	RATED POWER (max.)	150W continue					
	RIPPLE & NOISE (max.) Note.2	50mVp-p	100mVp-p	100mVp-p	150mVp-p	150mVp-p	100mVp-p
	LINE REGULATION	±1%	±1%	±1%	±2%	±2%	±1%
	LOAD REGULATION Note.3	±5%	±5%	±10%	±10%	±10%	±4%
HOLD UP TIME	16ms min. at full load						
INPUT	VOLTAGE RANGE	90 ~ 132VAC/180 ~ 264VAC selected by switch					
	FREQUENCY RANGE	47~63Hz					
	EFFICIENCY (Typ.)	70%					
	AC CURRENT	5.0A / 115VAC		3.0A / 230VAC			
	INRUSH CURRENT (max.)	40A / 115VAC		80A / 230VAC			
LEAKAGE CURRENT (max.)	3.5mA / 240VAC						
PROTECTION	OVER LOAD	105~150% rated output power Protection type : Shut down o/p voltage, re-power on to recover					
	OVER VOLTAGE	+5V, +12V: 110%~130% of rated voltage Protection type : Shut down o/p voltage, re-power on to recover					
	SHORT CIRCUIT	All output equipped with short circuit Protection type : Shut down o/p voltage, re-power on to recover					
FUNCTION	POWER GOOD SIGNAL	The TTL compatible signal out with 100ms to 500ms delay after power set up					
	POWER FAIL SIGNAL	The TTL compatible signal will go down at least 1ms before +5V below 4.7V					
	PS-ON INPUT SIGNAL	Power on: PS-ON = "Low" or "<0.8V"; Power off: PS-ON = "Hi" or ">2V"					
ENVIRONMENT	WORKING TEMP.	-10~+35°C					
	WORKING HUMIDITY	20~90% RH non-condensing					
	STORAGE TEMP., HUMIDITY	-20~+85°C, 10~95% RH					
	TEMP. COEFFICIENT	±0.05% / °C (0~50°C)					
VIBRATION	10~200Hz, 2G 10min./1cycle, 60min. each along X, Y, Z axes						
SAFETY & EMC (Note 4)	SAFETY STANDARDS	UL1950 Approved					
	WITHSTAND VOLTAGE	I/P-O/P, I/P-FG:1.5KVAC					
	ISOLATION RESISTANCE	I/P-O/P, I/P-FG:100M Ohms / 500VDC					
	EMI CONDUCTION & RADIATION	Compliance to EN55022 (CISPR22) class B					
	HARMONIC CURRENT	Compliance to EN61000-3-2,-3					
EMS IMMUNITY	Compliance to EN61000-4-2,3,4,5,6,8,11, Light industry level, criteria A						
OTHERS	MTBF	100K hrs min. MIL-HDBK-217F (25°C)					
	CONNECTOR	ATX main power connector*1ea Peripheral power connector* 4ea Floppy drive power connector* 1ea					
	COOLING	Forced air ventilation by 4cm DC fan					
	DIMENSION	150*82*42.8mm (L*W*H)					
PACKING	0.6kg; 20pcs / 16kg / CARTON						
NOTE	1. All parameters NOT specially mentioned are measured at 230VAC input, rated load and 25°C of ambient temperature. 2. Ripple & noise are measured at 20MHz of bandwidth by using a 12" twisted pair-wire terminated with a 0.1uf & 47uf parallel capacitor. 3. Load regulation is measured from 20% to 100% max. Load. 4. The power supply is considered a component which will be installed into a final equipment. The final equipment must be re-confirmed that it still meets EMC directives.						

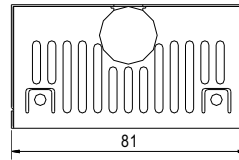
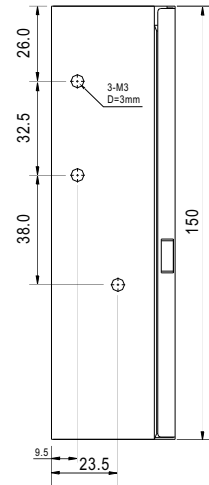
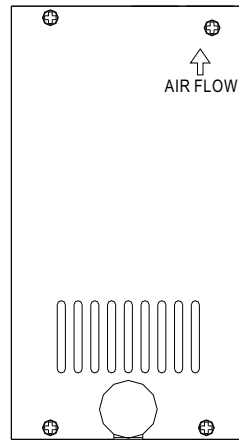
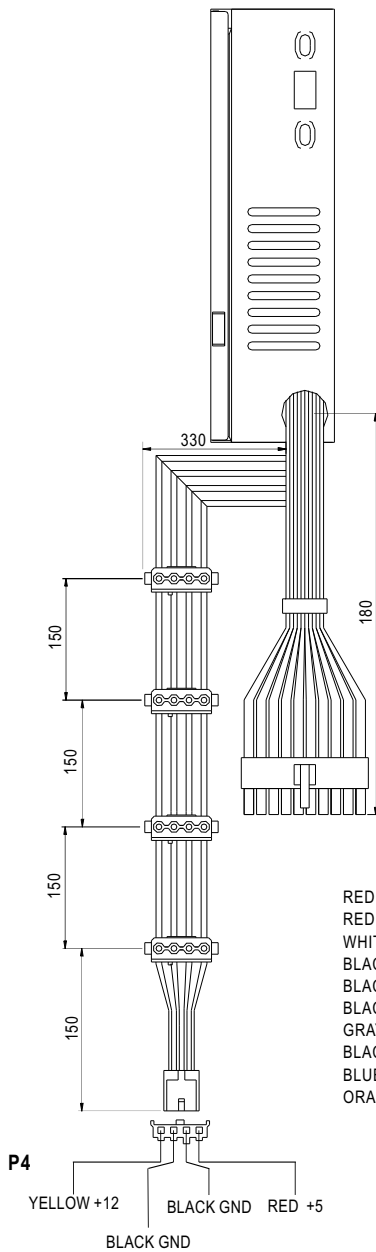
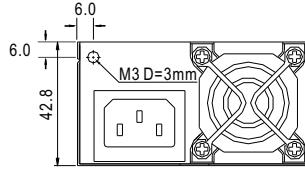


150W MICRO ATX PC Power with 1U Type

1U150

■ Mechanical Specification

Unit:mm



- |        |       |  |        |      |
|--------|-------|--|--------|------|
| RED    | +5    |  | YELLOW | +12  |
| RED    | +5    |  | PURPLE | 5VSB |
| WHITE  | -5    |  | GREEN  | PW-O |
| BLACK  | GND   |  | BLACK  | GND  |
| BLACK  | GND   |  | RED    | +5   |
| BLACK  | GND   |  | BLACK  | GND  |
| GRAY   | PS-ON |  | RED    | +5   |
| BLACK  | GND   |  | BLACK  | GND  |
| BLUE   | -12   |  | ORANGE | +3.3 |
| ORANGE | +3.3  |  | ORANGE | +3.3 |

20P

POWER WIRE LENGTH	
20P	P4
180	930