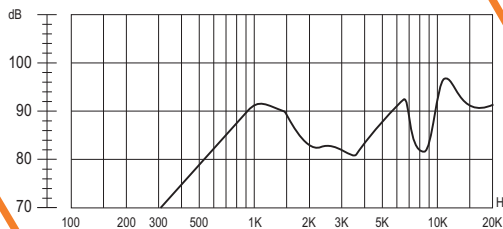
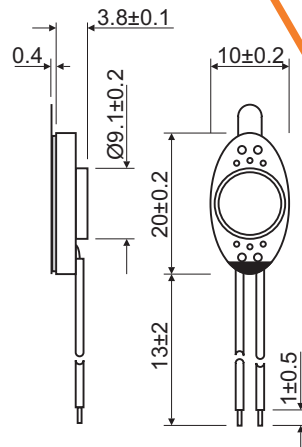
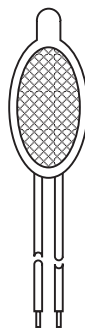
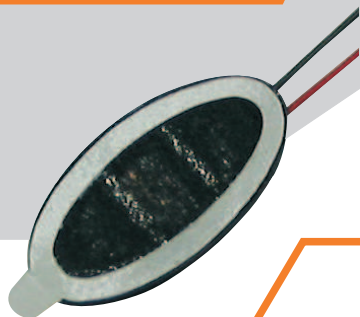


SoniCrest

SPEAKER SOUND GENERATORS

HSB1020A



Frequency Response

Normalized to 0.1W Input Power and 0.1m Measuring Distance

Dimension

Unit : mm
Tolerance : ± 0.3 mm

● Specification (all data taken at 25°C unless otherwise specified)

Coil Impedance (Ω)	Rated Power (W)	Maximum Input Power (W)	Resonance Frequency (Hz)	★Frequency Range (Hz)	★sound Output at 1kHz (dB)	Operating Temperature (°C)	Storage Temperature (°C)
$8 \pm 20\%$	0.4	0.7	$1050 \pm 15\%$	1050 ~ 20000	91 ± 3	-40 ~ +70	-40 ~ +70

HSB1020A-8

The specification are only for 8 Ω version. Specification for other impedance is available upon request.
★value normalized to 0.1W input power and 0.1m measuring distance.