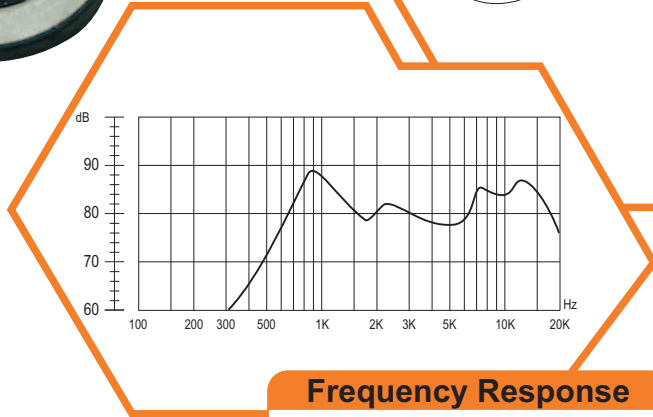
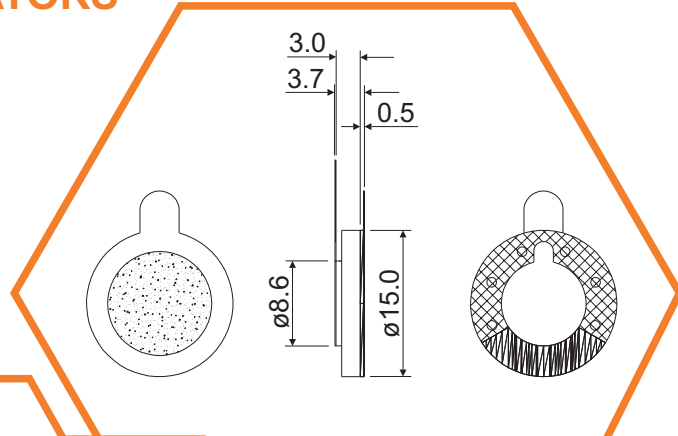
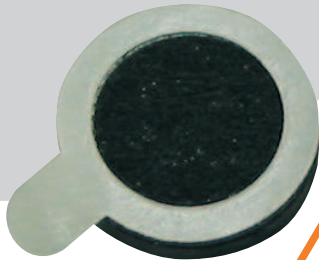


# SoniCrest

## SPEAKER SOUND GENERATORS

### HSB15L



**Dimension**  
Unit : mm  
Tolerance :  $\pm 0.3$ mm

**Frequency Response**  
Normalized to 0.1W Input Power and  
0.1m Measuring Distance

● **Specification** (all data taken at 25°C unless otherwise specified)

Coil Impedance ( $\Omega$ )	Rated Power (W)	Maximum Input Power (W)	Resonance Frequency (Hz)	★Frequency Range (Hz)	★sound Output at 1kHz (dB)	Operating Temperature (°C)	Storage Temperature (°C)
8 $\pm$ 15%	0.5	0.7	900 $\pm$ 20%	900 ~ 15000	87 $\pm$ 3	-20 ~ +70	-20 ~ +70

#### HSB15L-8

The specification are only for 8 $\Omega$  version. Specification for other impedance is available upon request.  
★value normalized to 0.1W input power and 0.1m measuring distance.