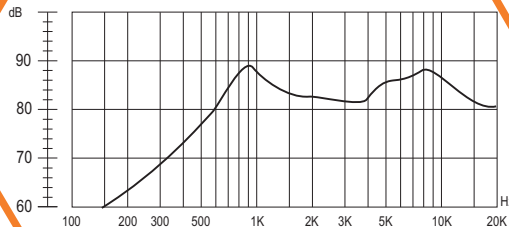
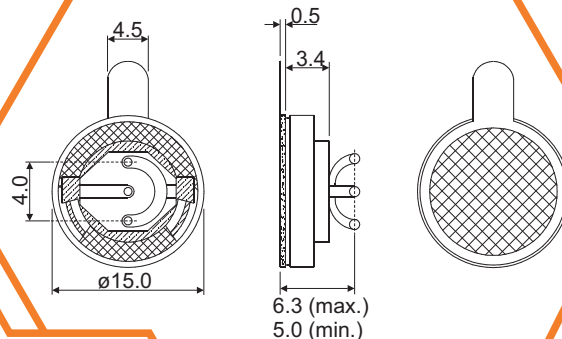
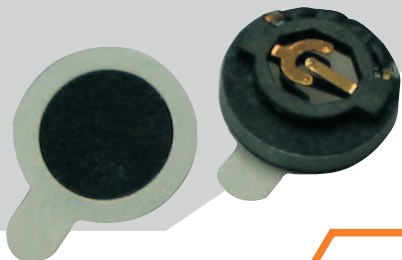


SoniCrest SPEAKER SOUND GENERATORS

HSB15M



Frequency Response

Normalized to 0.1W Input Power and
0.1m Measuring Distance

Dimension

Unit : mm
Tolerance : ± 0.3 mm

- **Specification** (all data taken at 25°C unless otherwise specified)

Coil Impedance (Ω)	Rated Power (W)	Maximum Input Power (W)	Resonance Frequency (Hz)	★Frequency Range (Hz)	★sound Output at 1kHz (dB)	Operating Temperature (°C)	Storage Temperature (°C)
8 \pm 15%	0.5	1	850 \pm 20%	850 ~ 12000	87 \pm 3	-30 ~ +70	-40 ~ +80

HSB15M-8

The specification are only for 8 Ω version. Specification for other impedance is available upon request.
★value normalized to 0.1W input power and 0.1m measuring distance.