



Features

- Maximum height of 1.05 mm
- Current up to 1.0 A
- Lead free
- RoHS compliant*

Applications

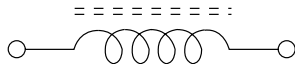
- Input/output of DC/DC converters
- Power supplies for:
 - Portable communication equipment
 - Camcorders
 - LCD TVs
 - Car radios

SRU3009 Series - Shielded SMD Power Inductors

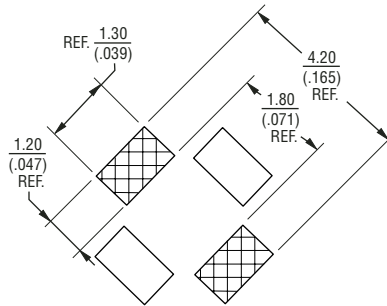
Electrical Specifications

Bourns Part No.	Inductance 100 KHz		Q Ref.	Test Frequency (MHz)	SRF Typ. (MHz)	RDC Max. (mΩ)	I rms Max. (A)	I sat Typ. (A)	Marking
	(μH)	Tol. %							
SRU3009-1R3Y	1.3	± 30	10	7.96	210	115	1.00	1.10	A
SRU3009-2R2Y	2.2	± 30	8.5	7.96	150	145	0.80	0.85	B
SRU3009-3R3Y	3.3	± 30	8	7.96	130	225	0.65	0.72	C
SRU3009-4R7Y	4.7	± 30	9	7.96	100	290	0.48	0.50	D
SRU3009-6R8Y	6.8	± 30	8	7.96	85	500	0.40	0.43	E
SRU3009-100Y	10	± 30	8.5	2.52	60	760	0.28	0.35	F
SRU3009-220Y	22	± 30	20	2.52	40	1450	0.22	0.25	G

Electrical Schematic



Recommended Layout



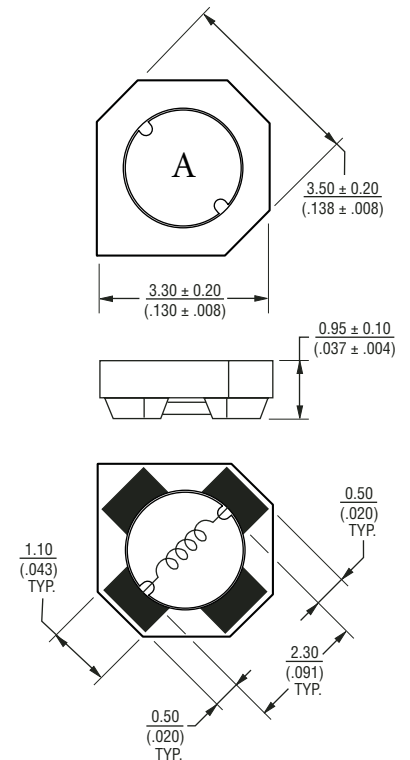
General Specifications

Test Voltage.....0.1 V
 Reflow Soldering ...230 °C, 50 sec. max.
 Operating Temperature ..-40 °C to +125 °C
 (Temperature rise included)
 Storage Temperature...-40 °C to +125 °C
 Resistance to Soldering Heat
260 °C for 10 sec.

Materials

Core.....Ferrite DR and RI core
 WireEnamelled copper
 TerminalAg/Ni/Sn
 Rated Current
Ind. drop 35 % typ. at Isat
 Temperature Rise
40 °C max. at rated I rms
 Packaging.....1,500 pcs. per reel

Product Dimensions



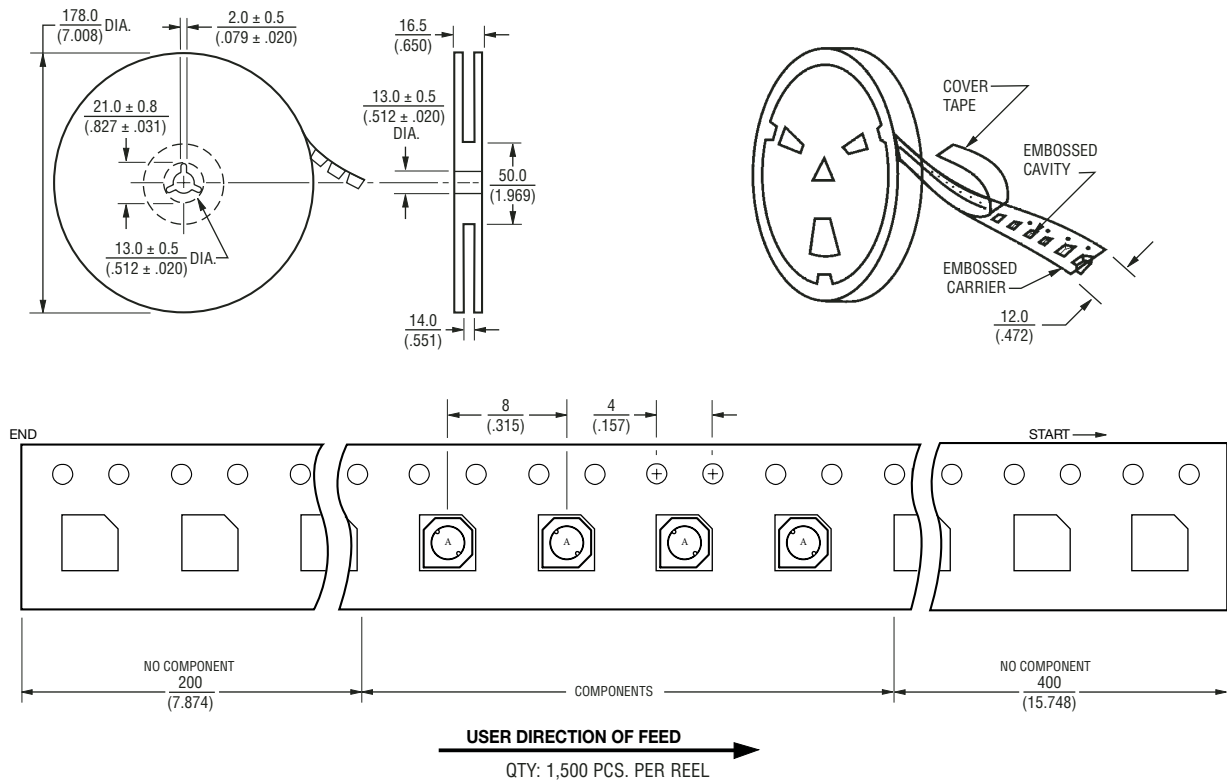
DIMENSIONS: $\frac{\text{MM}}{\text{(INCHES)}}$

*RoHS Directive 2002/95/EC Jan 27 2003 including Annex
 Specifications are subject to change without notice.
 Customers should verify actual device performance in their specific applications.

SRU3009 Series - Shielded SMD Power Inductors

BOURNS®

Packaging Specifications



DIMENSIONS: $\frac{\text{MM}}{\text{(INCHES)}}$