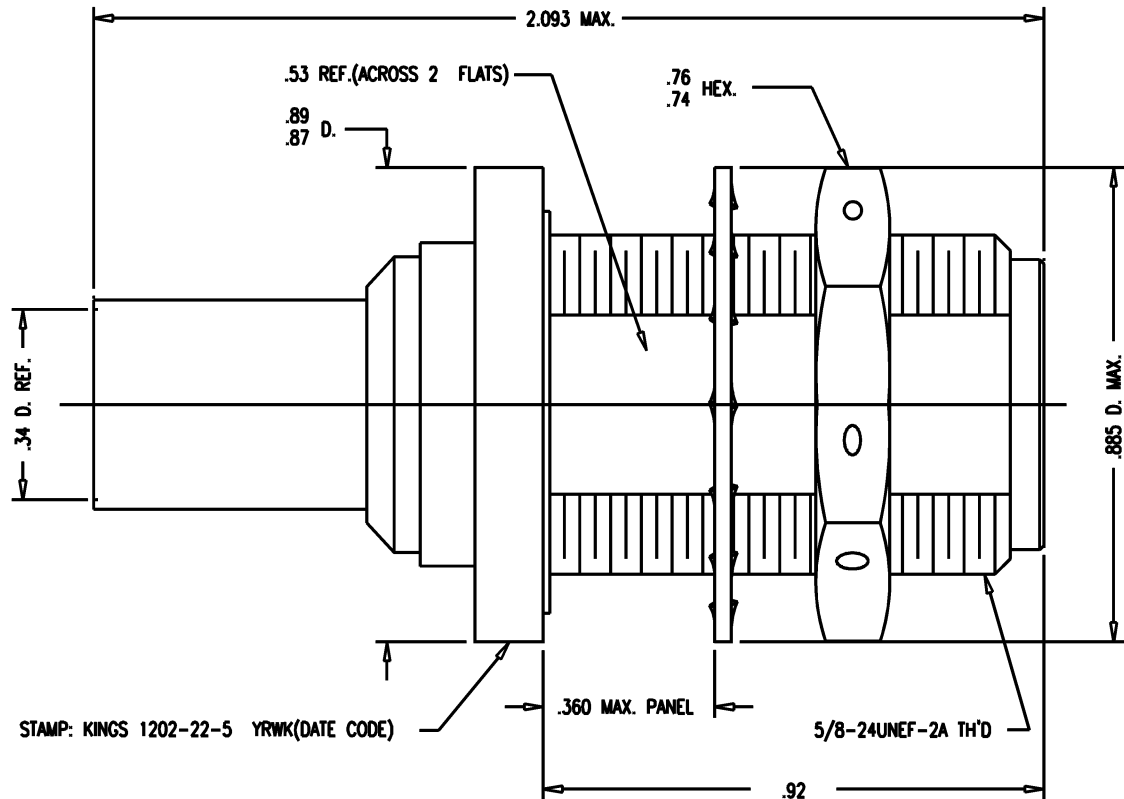


DASH NO.	M CODE	MADE FROM
----------	--------	-----------



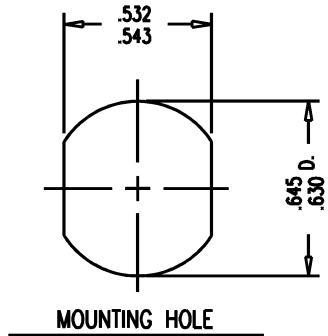
# GSD

1202-22-5

REVISIONS	
ISSUE	CHANGES
0	ER 36811 KH 02/08/96
1	CN 36827 C MJB 04/15/96
2	CN 38710 C DCT 6/23/3
3	CN 39600 E DRK 08/30/06
4	CN 39899 E DRK 04/23/07

- NOTES:
- FOR USE WITH DOUGLAS D2348-1 CABLE.
  - FOR CABLING INSTRUCTIONS SEE CP-5402.
  - FOR CRIMPING USE DIE KTH-2012.
  - INTERFACE PER MIL-STD-348, FIG. 304-2.
  - CENTER CONTACT (1-534-7M9D) SUPPLIED UNASSEMBLED.
  - MARK PACKAGE: KINGS 1202-22-5 YRWK(DATE CODE)  
DOUGLAS 500489-1
  - MATERIALS:  
INSULATOR-TEFLON, ASTM-D-4894  
LOCKWASHER-PHOS. BRONZE, ASTM-B-103  
CENTER CONTACT-BER. COP., ASTM-B-196  
K-GRIP SLEEVE-COM. BRONZE, ASTM-B-140  
GASKET-SILICONE RUBBER, ZZ-R-765  
ALL OTHER METAL PARTS-BRASS, ASTM-B16
  - FINISHES:  
CENTER CONTACT-GOLD PLATE PER MIL-G-45204  
ALL OTHER METAL PARTS-SILVER PLATE PER QQ-S-365

- ELECTRIAL CHARACTERISTICS:  
NOMINAL IMPEDANCE-50 OHMS  
FREQUENCY RANGE-DC TO 11 GHZ  
WORKING VOLTAGE-1000 VRMS  
VSWR: 1.30 MAX. .5-11 GHZ.  
INSERTION LOSS: .15 dB MAX. AT 9 GHZ.
- WEIGHT: .088 lbs (40 GRAMS).



# GSD

SCALE	4:1
APPROX SURFACE AREA	
WAS:	E-19116
USED ON	
REF:	McD. D. AIRCRAFT # 500489-1 REV. A
JACK, BULKHEAD, N	
DRAWN	KH DATE 02/08/96
DESIGN	CT DATE 02/09/96
APPR.	DATE

ROCK HILL, SOUTH CAROLINA 29730

1202-22-5