

4

3

2

1

THIS DRAWING IS UNPUBLISHED.

RELEASED FOR PUBLICATION

© COPYRIGHT - BY - ALL RIGHTS RESERVED.

LOC  
ES DIST  
00

REVISIONS

P	LTR	DESCRIPTION	DATE	DWN	APVD
	A	RELEASE ECR-11-022562	14NOV2011	T.Z	S.Y

SCALE 15:1

SCALE 15:1

REFERENCE VIEW FOR  
COMPONENT PLACEMENT

SEE DETAIL A

DETAIL A  
SCALE 50:1

SCALE 15:1

RECOMMENDED PWB LAY-OUT (±0.05)  
DASHED CIRCLES ARE THE LOCATION  
OF THE SPRING FINGER BOTTOM HOLES

1 PART NUMBER: 1551572-5 AS SHOWN.  
 2 MATERIAL: STAINLESS STEEL.  
 3 PLATING: 1,3um MIN. NICKEL UNDERLAYER ALL OVER  
 ZONE 1: 0,50um MIN. GOLD  
 ZONE 2: 0,05-0,3um GOLD FLASH  
 4 NORMAL FORCE: 0.6±0.2N AT THE NORMAL HEIGHT 1.2MM.  
 5 INDICATED SURFACE TO BE USED AS PICK AND PLACE SURFACE.

THIS DRAWING IS A CONTROLLED DOCUMENT.

DWN 06 July 2010  
Tony Zhang  
CHK 06 July 2010  
Xiang Xu  
APVD 06 July 2010  
Steven Yao

NAME

SPRING FINGER  
H=1,8

DIMENSIONS:

mm

TOLERANCES UNLESS  
OTHERWISE SPECIFIED:

0 PLC ±0.2  
 1 PLC ±0.1  
 2 PLC ±0.1  
 3 PLC ±0.05  
 4 PLC ±  
 ANGLES ±5°

MATERIAL

FINISH

2

3

PRODUCT SPEC

108-115008

APPLICATION SPEC

WEIGHT

-

CUSTOMER DRAWING

SIZE

A3

CAGE CODE

00779

DRAWING NO

C=1551572

SCALE 25:1

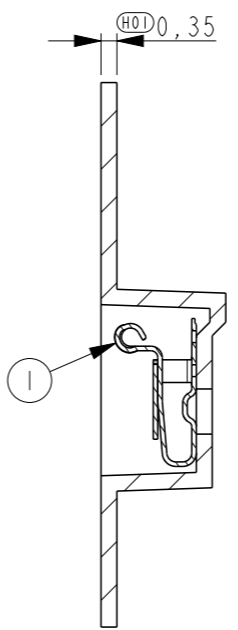
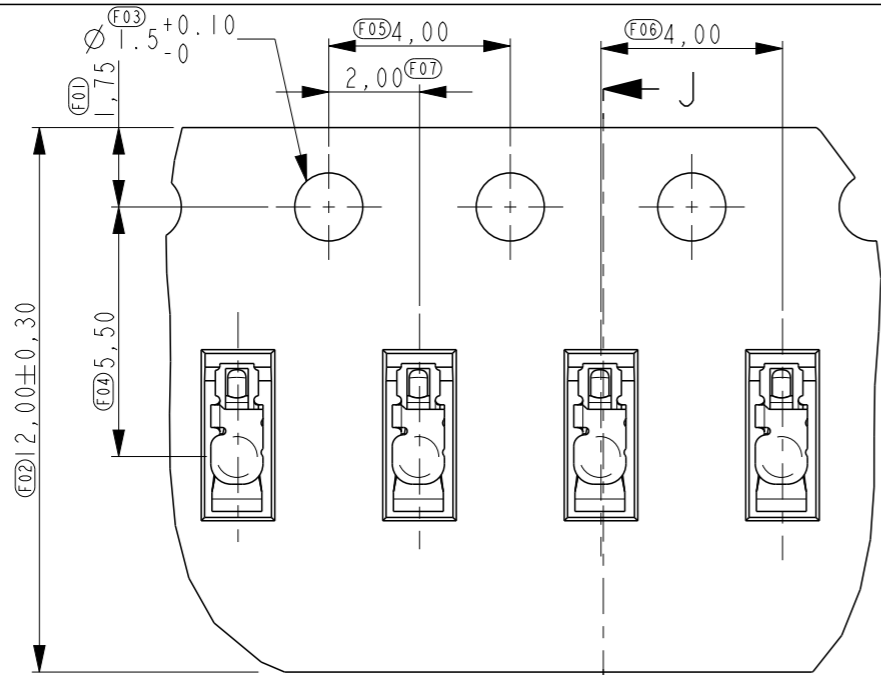
SHEET 1 OF 2

REV A

1470-19 (3/11)

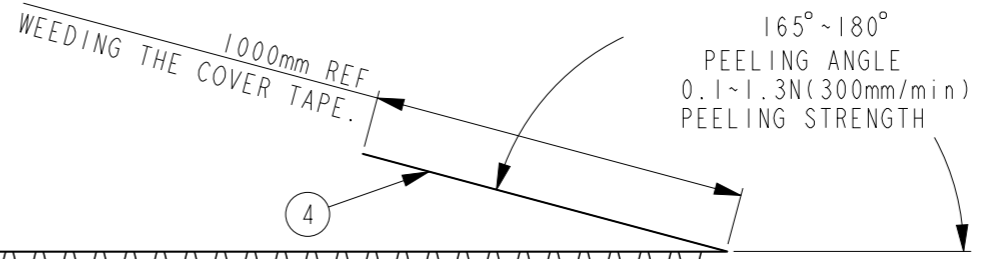
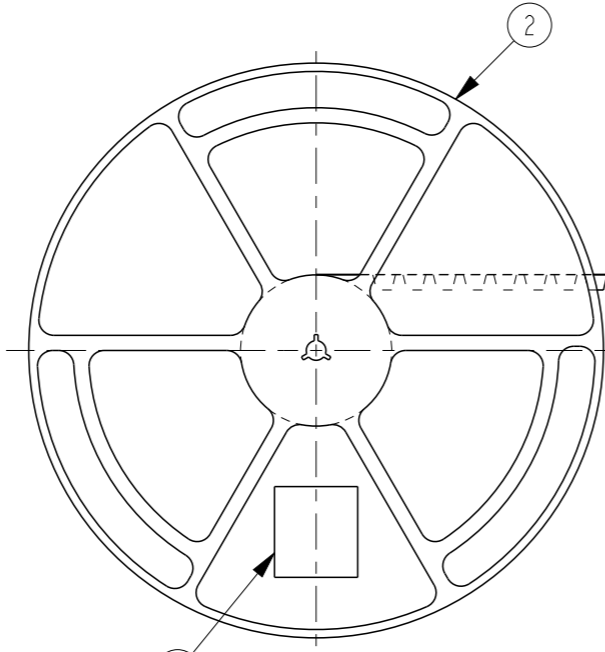
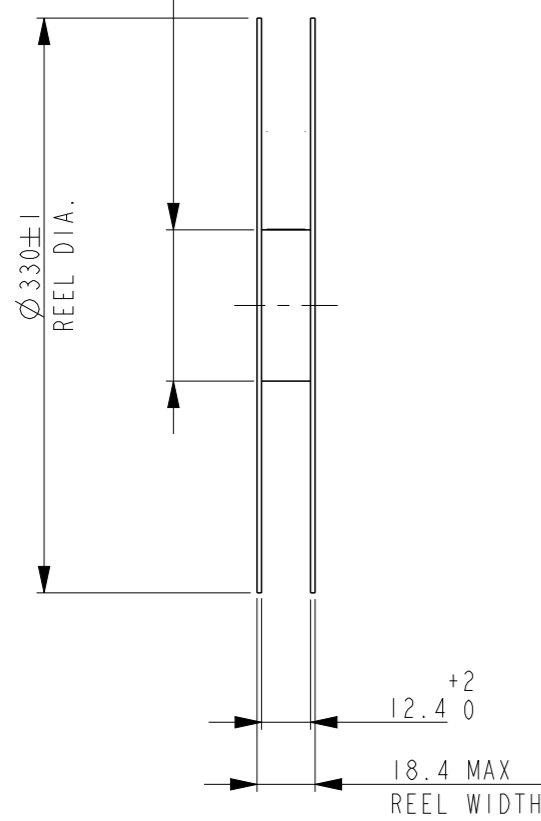
THIS DRAWING IS UNPUBLISHED. RELEASED FOR PUBLICATION  
 © COPYRIGHT - BY - ALL RIGHTS RESERVED.

LOC	DIST	REVISIONS			
P	LTR	DESCRIPTION	DATE	DWN	APVD
ES	00	SEE SHEET 1	-	-	-



SCALE 5;1

SECTION J-J



1	LABEL	(5)
1	COVER TAPE	(4)
1	EMBOSS	(3)
1	PLASTIC REEL	(2)
6000	SPRING FINGER	(1)
QTY	DESCRIPTION	ITEM

300 REF WITHOUT CHARGE      WITH PRODUCT CHARGE 6000EA/REEL      WITHOUT CHARGE 100~125HOLES

PACKAGING REEL AS SHOWN

THIS DRAWING IS A CONTROLLED DOCUMENT.		DWN		<b>TE Connectivity</b>	
DIMENSIONS: mm		CHK			
TOLERANCES UNLESS OTHERWISE SPECIFIED:		APVD			
0 PLC ±0.2 1 PLC ±0.1 2 PLC ±0.1 3 PLC ±0.05 4 PLC ± ANGLES ±5°		PRODUCT SPEC			
MATERIAL		FINISH		NAME	
				SPRING FINGER H=1,8	
				SIZE	CAGE CODE
				A3	00779
				DRAWING NO	RESTRICTED TO
				C=1551572	-
		CUSTOMER DRAWING		SCALE	SHEET
				25:1	2 OF 2
				REV	A