

THIS DRAWING IS UNPUBLISHED.

RELEASED FOR PUBLICATION

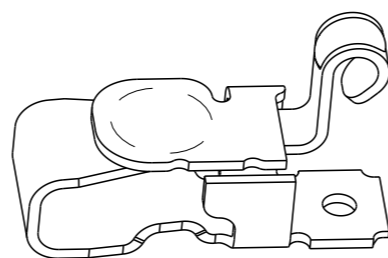
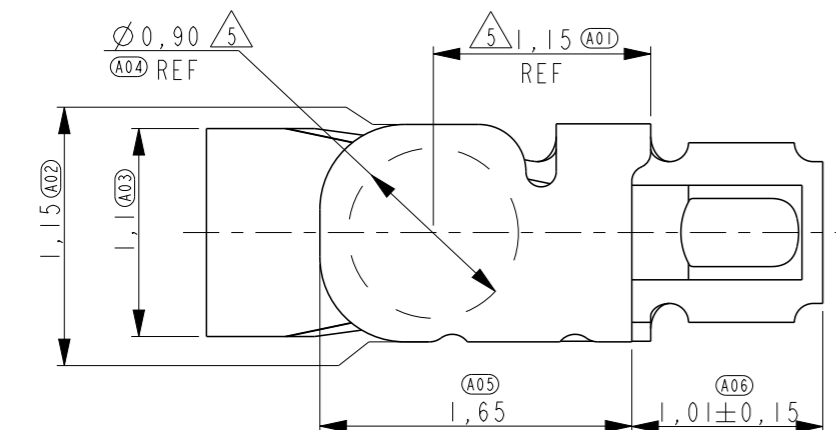
© COPYRIGHT -

ALL RIGHTS RESERVED.

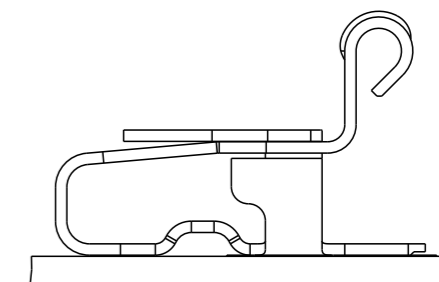
LOC ES DIST 00

REVISIONS

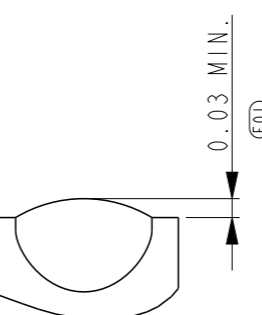
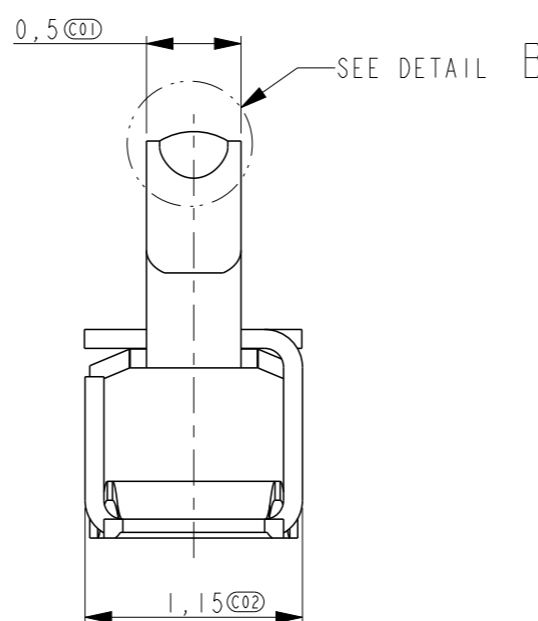
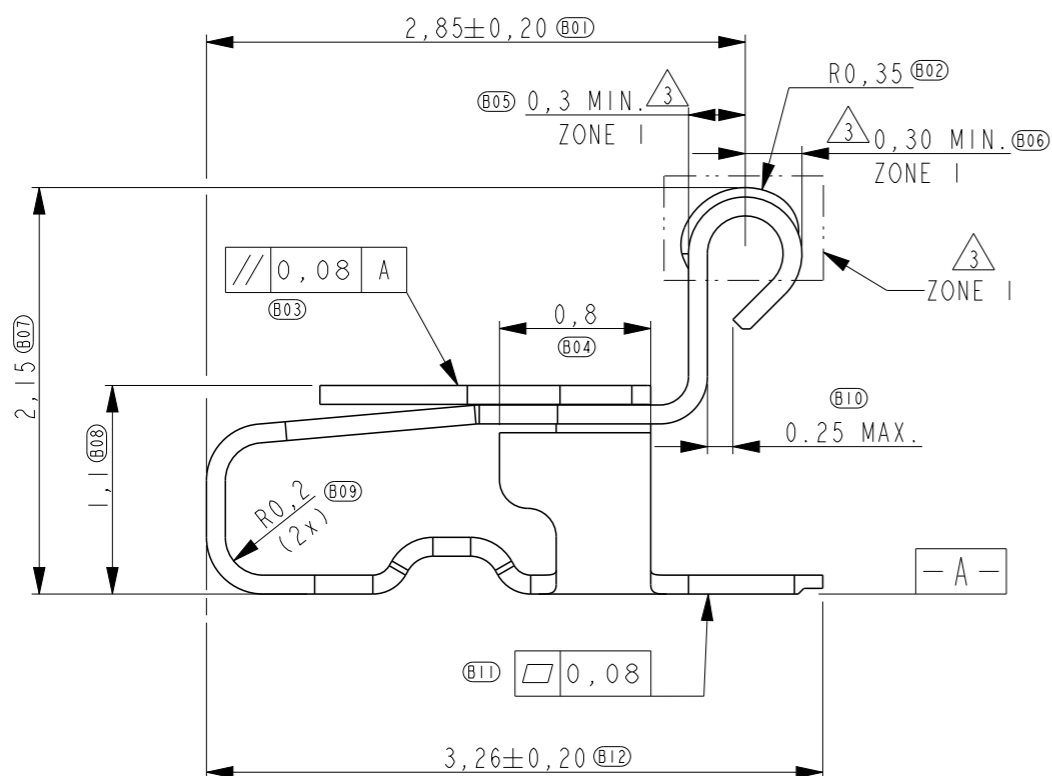
P	LTR	DESCRIPTION	DATE	DWN	APVD
	B	UPDATED	13SEP2011	T.Z	S.Y



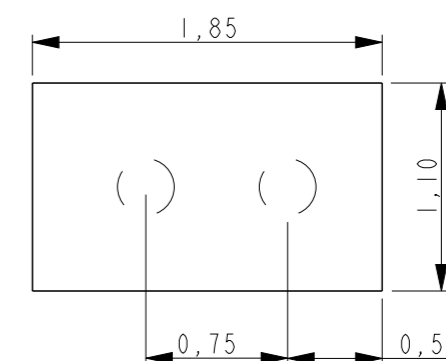
SCALE 15:1



SCALE 15:1 REFERENCE VIEW FOR COMPONENT PLACEMENT

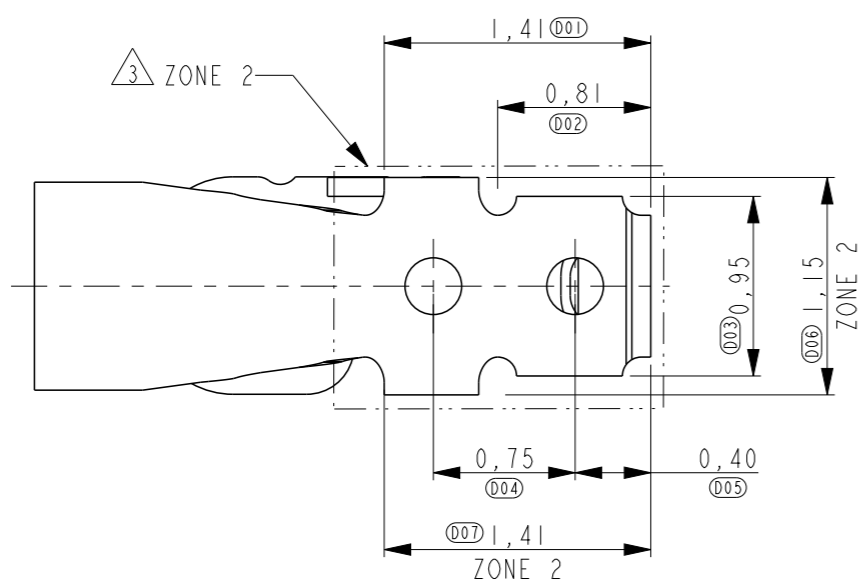


DETAIL B SCALE 50:1



RECOMMENDED PWB LAY-OUT (±0.05) DASHED CIRCLES ARE THE LOCATION OF THE SPRING FINGER BOTTOM HOLES

- 1 PART NUMBER: 1551573-5 AS SHOWN.
- 2 MATERIAL: STAINLESS STEEL.
- 3 PLATING: 1,3um MIN. NICKEL UNDERLAYER ALL OVER
ZONE 1: 0,50um MIN. GOLD
ZONE 2: 0,05-0,3um GOLD FLASH
- 4 NORMAL FORCE 0.6±0.2N AT NOMINAL HEIGHT 1.6MM.
- 5 INDICATED SURFACE TO BE USED AS PICK AND PLACE SURFACE.



THIS DRAWING IS A CONTROLLED DOCUMENT.

DWN 13 JUN 2010 Tony Zhang

CHK 13 JUN 2010 Martin Li

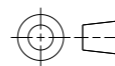
APVD 13 JUN 2010 Steven Yao

NAME

SPRING FINGER H=2,15

DIMENSIONS: mm

TOLERANCES UNLESS OTHERWISE SPECIFIED:



- 0 PLC ±0.2
- 1 PLC ±0.1
- 2 PLC ±0.1
- 3 PLC ±0.05
- 4 PLC ±
- ANGLES ±5°

MATERIAL



FINISH



PRODUCT SPEC 108-115008

APPLICATION SPEC

WEIGHT

SIZE

A3

CAGE CODE

DRAWING NO

C=1551573

RESTRICTED TO

CUSTOMER DRAWING

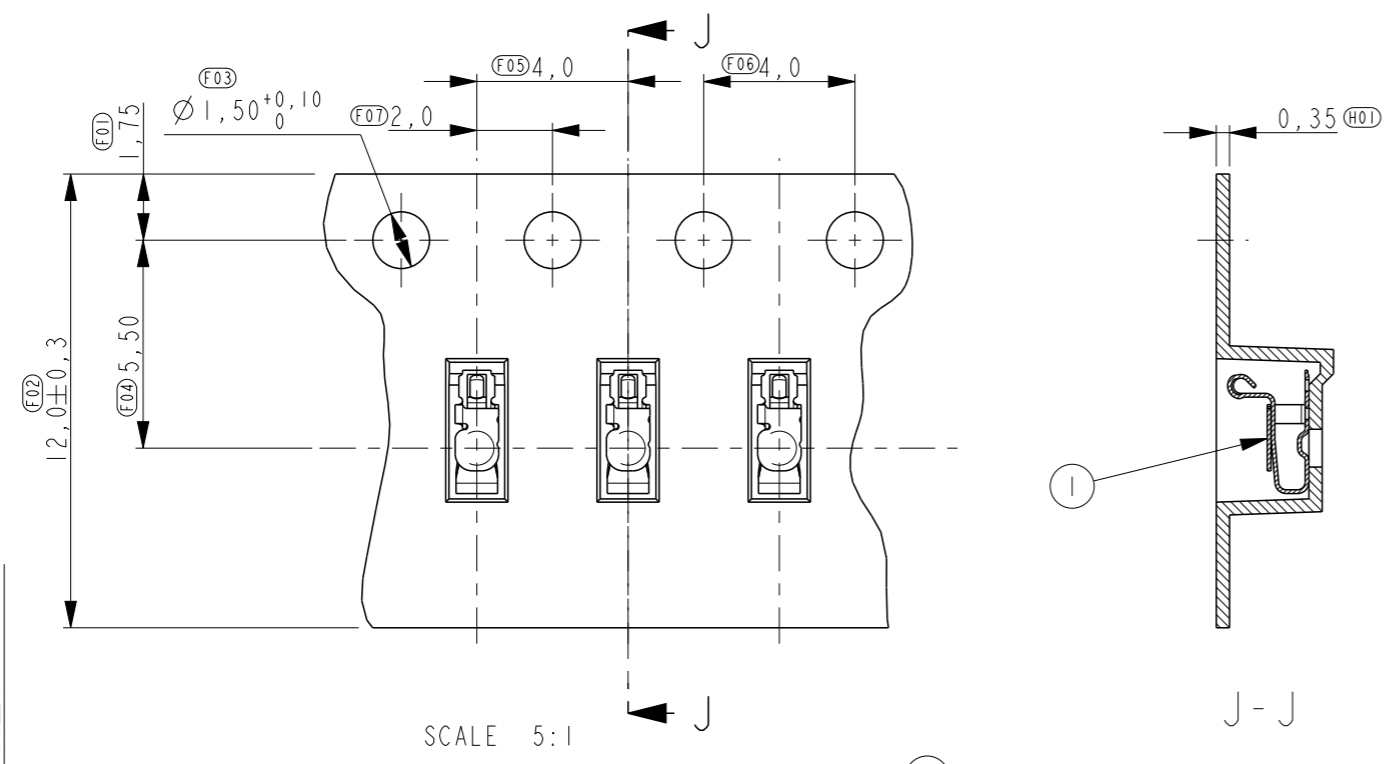
SCALE 25:1

SHEET 1 OF 2

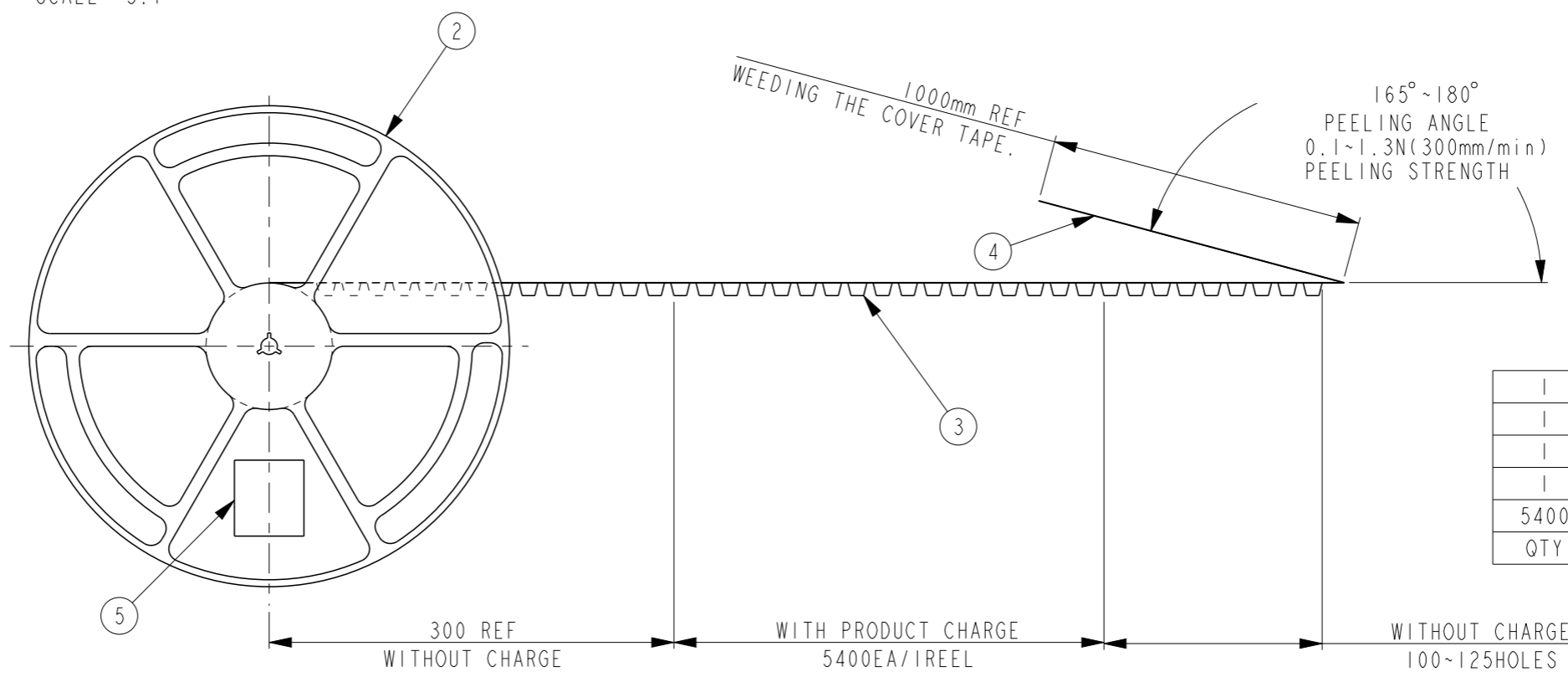
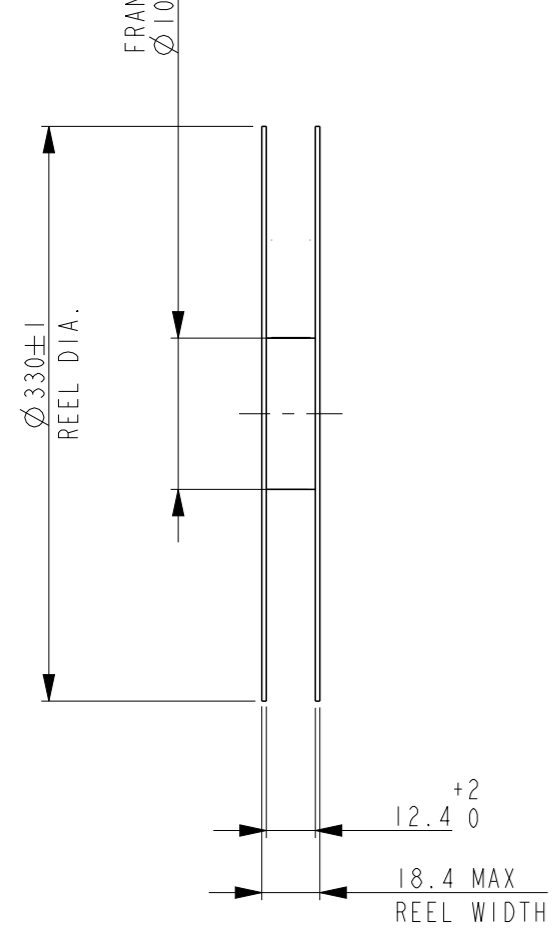
REV B

THIS DRAWING IS UNPUBLISHED. RELEASED FOR PUBLICATION
 © COPYRIGHT - ALL RIGHTS RESERVED.

LOC	DIST	REVISIONS			
P	LTR	DESCRIPTION	DATE	DWN	APVD
ES	00	SEE SHEET 1	-	-	-



SCALE 5:1



I	LABEL	⑤
I	COVER TAPE	④
I	EMBOSS	③
I	PLASTIC REEL	②
5400	SPRING FINGER	①
QTY	DESCRIPTION	ITEM

THIS DRAWING IS A CONTROLLED DOCUMENT.		DWN		TE Connectivity NAME SPRING FINGER H=2,15	
DIMENSIONS: mm		CHK			
TOLERANCES UNLESS OTHERWISE SPECIFIED:		APVD			
0 PLC ±0.2 1 PLC ±0.1 2 PLC ±0.1 3 PLC ±0.05 4 PLC ± ANGLES ±5°		PRODUCT SPEC			
MATERIAL -		FINISH -		APPLICATION SPEC	
		WEIGHT		SIZE A3	CAGE CODE
		CUSTOMER DRAWING		DRAWING NO C-1551573	
		SCALE 25:1		RESTRICTED TO -	
		SHEET 2 OF 2		REV B	