

FEATURES AND SPECIFICATIONS

Features and Benefits

- Pegs provide increased board retention
- Ideal for low profile power applications
- Positive housing locks to mate with Mini-Fit, Jr. single row receptacles 5557
- Fully isolated terminals to protect contacts from damage

Reference Information

Product Specification: PS-5556-0001
 Packaging: Tray or bag
 UL File No.: E29179
 CSA File No.: LR19980
 Mates With: [5557](#) single row receptacle
 TUV License No.: R75142
 Designed In: Millimeters

Electrical

Voltage: 600V
 Current: (Used with 16 AWG)

Circuits	2-3	4-6	7-10	12-24
Amperes-Jr.	9	8	7	6
Amperes-HCS	12	11	10	9

Electrical (cont'd)

Contact Resistance: 10mΩ max.
 Dielectric Withstanding Voltage: 1500V AC
 Insulation Resistance: 1000 MΩ min.

Mechanical

Insertion Force to PCB: 49N (11.01 lb) max.
 Mating Force: 6.9N (1.54 lb) max.
 Unmating Force: 3.4N (0.7 lb) min.
 Durability: 30 cycles

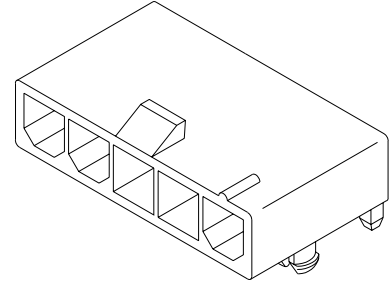
Physical

Housing: 6/6 nylon, UL 94V-2 or 94V-0
 Contact: Brass
 Plating: Tin, select Gold or overall Gold
 Operating Temperature: -40 to +105°C

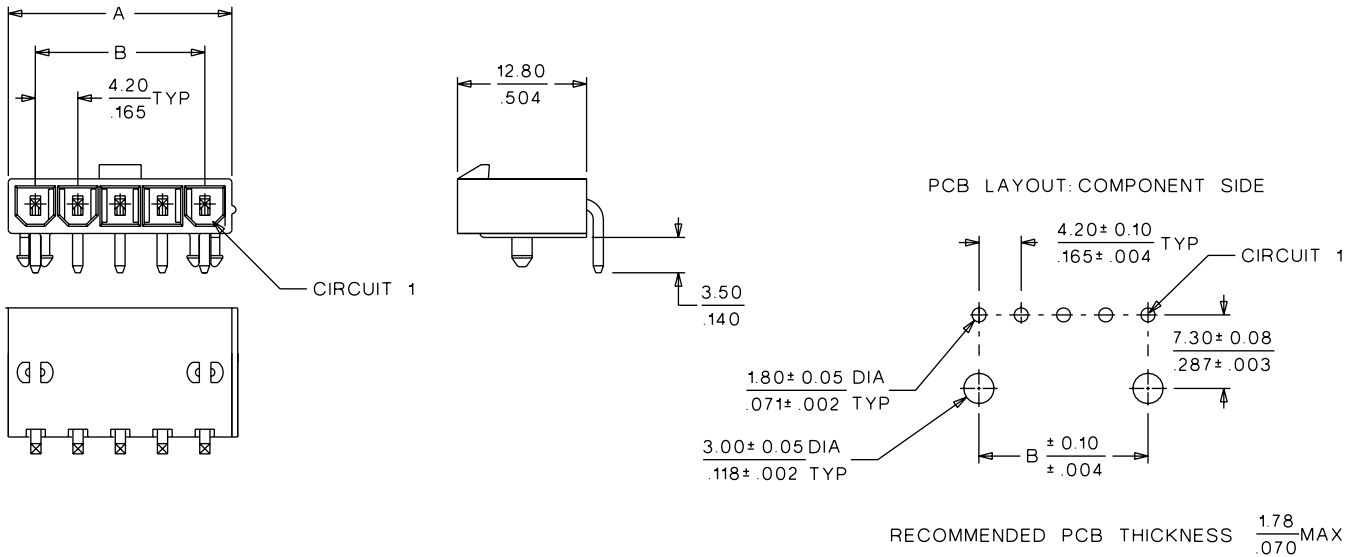
molex® 4.20mm (.165") Pitch Mini-Fit, Jr.™ Header

5569

Right Angle, Single Row With Pegs



CATALOG DRAWING (FOR REFERENCE ONLY)

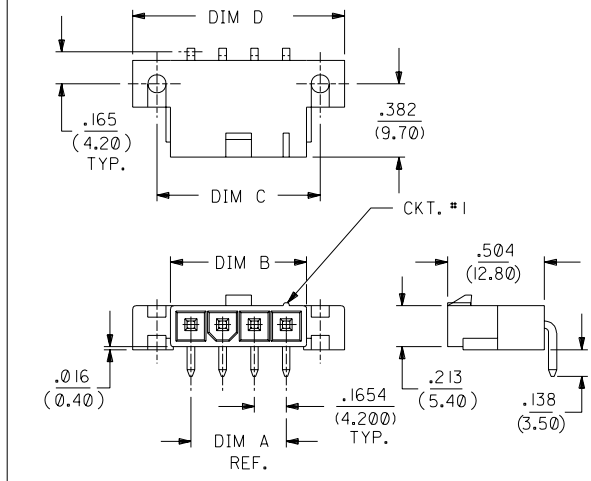


ORDERING INFORMATION AND DIMENSIONS

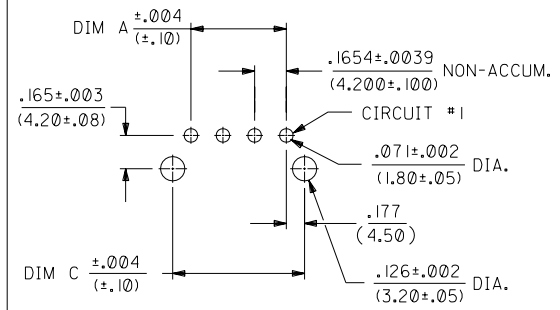
Circuits	Order No.				Dimension	
	Tin Plated		Gold Plated		A	B
	94V-2	94V-0	94V-2	94V-0		
3	• 39-30-3035	• 39-30-3036	• 39-30-3037	• 39-30-3038	13.80 (.540)	8.40 (.331)
4	• 39-30-3045		• 39-30-3047		18.00 (.709)	12.60 (.496)
5	• 39-30-3055	• 39-30-3056	• 39-30-3057	• 39-30-3058	22.20 (.874)	16.80 (.661)

• US Standard Product, available through Molex franchised distributors

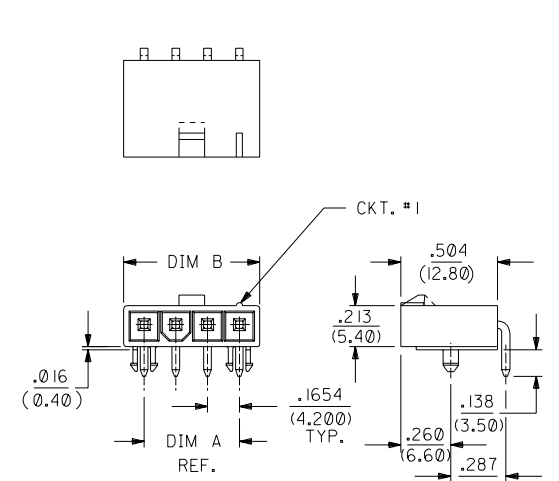
CKT SIZE	DIM A	DIM B	DIM C	DIM D
4	.496 (12.60)	.709 (18.00)	.850 (21.60)	1.102 (28.00)
5	.661 (16.80)	.874 (22.20)	1.016 (25.80)	1.268 (32.20)
6	.827 (21.00)	1.039 (26.40)	1.181 (30.00)	1.433 (36.40)
7	.992 (25.20)	1.205 (30.60)	1.346 (34.20)	1.598 (40.60)
8	1.157 (29.40)	1.370 (34.80)	1.512 (38.40)	1.764 (44.80)
9	1.323 (33.60)	1.535 (39.00)	1.677 (42.60)	1.929 (49.00)
10	1.488 (37.80)	1.701 (43.20)	1.843 (46.80)	2.094 (53.20)
11	1.654 (42.00)	1.866 (47.40)	2.008 (51.00)	2.260 (57.40)
12	1.819 (46.20)	2.031 (51.60)	2.173 (55.20)	2.425 (61.60)



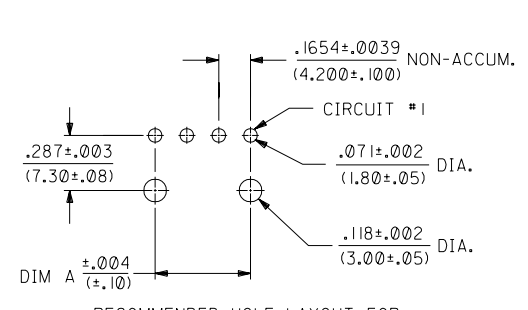
RIGHT ANGLE HEADER
(SCREW MOUNT)



RECOMMENDED HOLE LAYOUT FOR
.070/(1.78) MAX. THICK P.C. BOARD
(SEE NOTE 3.)



RIGHT ANGLE HEADER
(PEG MOUNT)

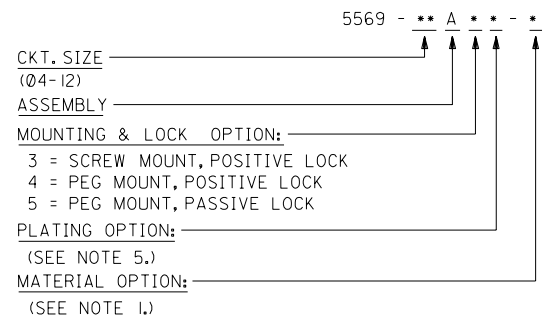


RECOMMENDED HOLE LAYOUT FOR
.070/(1.78) MAX. THICK P.C. BOARD
(SEE NOTE 3.)

NOTES:

- HOUSING MATERIAL:
 BLANK = NYLON 6/6, U.L. 94V-2, COLOR: NATURAL.
 210 = NYLON 6/6, U.L. 94V-0, COLOR: NATURAL.
 BL = NYLON 6/6, U.L. 94V-2, COLOR: BLACK (DYED).
- PART MATES WITH MOLEX RECEPTACLE #5557.
- PART IS DESIGNED IN METRIC.
- TERMINAL MATERIAL: BRASS, ALLOY 260.
- TERMINAL PLATING:
 BLANK - .000200/(.00508) MIN. TIN OVER
 .000100/(.00254) MIN. COPPER.
 G - .000030/(.00076) MIN. GOLD OVER
 .000050/(.00127) MIN. NICKEL.
 G2 - .000015/(.00038) MIN. GOLD OVER
 .000030/(.00076) MIN. NICKEL.
 G3 - .000050/(.00127) MIN. GOLD OVER
 .000050/(.00127) MIN. NICKEL.
 S - .000100/(.00254) MIN. TIN OVER
 .000050/(.00127) MIN. NICKEL.
- PRODUCT SPECIFICATION: PS-5556-001
- PART IS DESIGNED FOR USE WITH 4 - 40 OR M3 SCREWS.

LEGEND:



3	K
2	K
1	K
	REV.

K	REV PS NOTE UCP2003-0396 9/2/2002 SAMIEC	J1	ADDED -NA35 ECN U61075 GEP 3-6-96	DIMENSIONS SHOWN (METRIC) INCH UNLESS OTHERWISE SPECIFIED TOLERANCES: ANGULAR ±.125° 30	▽ = 0 ▼ = 0 REVISE ONLY ON CAD SYSTEM
J3	REVISED UCR1999-0708 99/04/20 L.MOSLEY	J	REV. PROD. SPEC. ECN U11610 GEP 8-1-91 RJF	INCH METRIC 3 PLACE ±.015 2 PLACE ± ±.38 1 PLACE ±	TITLE RIGHT ANGLE HEADER ASSY. (SINGLE ROW) (MINI-FIT JR. SERIES)
J2	ADD/REL 04A3G UCR1999-0337 11-23-98 SAMIEC	H	REV. POLARIZATION ECR U11092 GEP 6-21-91 RJF	DRAFT WHERE APPLICABLE MUST REMAIN WITHIN DIMENSIONS	MOLEX INCORPORATED LITSE,ILL. 60532 U.S.A.
LTR.	REVISIONS	LTR.	REVISIONS	DRWG. BY: KSS CHK'D BY: RJF APP'D BY: RAS SCALE: 2:1	SHEET NO. DATE 1 OF 3 2/14/89
				SEE CHARTS	SDA-5569-NL*
				FILE NAME: 55569NLX1.DGN	THIS DRAWING CONTAINS INFORMATION THAT IS PROPRIETARY TO MOLEX INC. AND SHOULD NOT BE USED WITHOUT WRITTEN PERMISSION.

5569

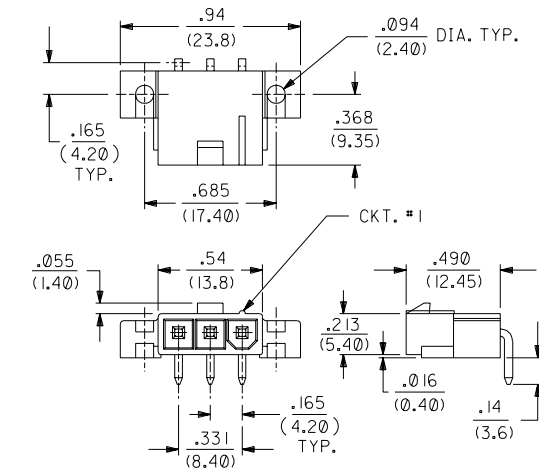
13		12		11		10		9		8		7		6		5569		4		3		2		1	
E.D.P. NO.		ENG. NO.		CKT. SIZE	MOUNTING OPTION	LOCK OPTION	PLATING (SEE NOTE 2.)		MAT'L. (SEE NOTE 1)		E.D.P. NO.		ENG. NO.		CKT. SIZE	MOUNTING OPTION	LOCK OPTION	PLATING (SEE NOTE 2.)		MAT'L. (SEE NOTE 1)					
J	39-30-3041	5569-04A3	4	SCREWS	POSITIVE	TIN/COPPER	94V-2		94V-2		39-30-3049	5569-04A4G2	4	PEGS	POSITIVE	15 M.I. GOLD		94V-2							
J	39-30-3051	5569-05A3	5	SCREWS	POSITIVE	TIN/COPPER	94V-2		94V-2		39-30-3059	5569-05A4G2	5	PEGS	POSITIVE	15 M.I. GOLD		94V-2							
J	39-30-3061	5569-06A3	6	SCREWS	POSITIVE	TIN/COPPER	94V-2		94V-2		39-30-3069	5569-06A4G2	6	PEGS	POSITIVE	15 M.I. GOLD		94V-2							
J	39-30-3071	5569-07A3	7	SCREWS	POSITIVE	TIN/COPPER	94V-2		94V-2		39-30-3079	5569-07A4G2	7	PEGS	POSITIVE	15 M.I. GOLD		94V-2							
J	39-30-3081	5569-08A3	8	SCREWS	POSITIVE	TIN/COPPER	94V-2		94V-2		39-30-3089	5569-08A4G2	8	PEGS	POSITIVE	15 M.I. GOLD		94V-2							
J	39-30-3091	5569-09A3	9	SCREWS	POSITIVE	TIN/COPPER	94V-2		94V-2		39-30-3099	5569-09A4G2	9	PEGS	POSITIVE	15 M.I. GOLD		94V-2							
I	39-30-3101	5569-10A3	10	SCREWS	POSITIVE	TIN/COPPER	94V-2		94V-2		39-30-3109	5569-10A4G2	10	PEGS	POSITIVE	15 M.I. GOLD		94V-2							
I	39-30-3111	5569-11A3	11	SCREWS	POSITIVE	TIN/COPPER	94V-2		94V-2		39-30-3119	5569-11A4G2	11	PEGS	POSITIVE	15 M.I. GOLD		94V-2							
I	39-30-3121	5569-12A3	12	SCREWS	POSITIVE	TIN/COPPER	94V-2		94V-2		39-30-3129	5569-12A4G2	12	PEGS	POSITIVE	15 M.I. GOLD		94V-2							
I	39-30-3042	5569-04A3-210	4	SCREWS	POSITIVE	TIN/COPPER	94V-0		94V-0		39-30-4040	5569-04A4G2-210	4	PEGS	POSITIVE	15 M.I. GOLD		94V-0							
I	39-30-3052	5569-05A3-210	5	SCREWS	POSITIVE	TIN/COPPER	94V-0		94V-0		39-30-4050	5569-05A4G2-210	5	PEGS	POSITIVE	15 M.I. GOLD		94V-0							
H	39-30-3062	5569-06A3-210	6	SCREWS	POSITIVE	TIN/COPPER	94V-0		94V-0		39-30-4060	5569-06A4G2-210	6	PEGS	POSITIVE	15 M.I. GOLD		94V-0							
H	39-30-3072	5569-07A3-210	7	SCREWS	POSITIVE	TIN/COPPER	94V-0		94V-0		39-30-4070	5569-07A4G2-210	7	PEGS	POSITIVE	15 M.I. GOLD		94V-0							
H	39-30-3082	5569-08A3-210	8	SCREWS	POSITIVE	TIN/COPPER	94V-0		94V-0		39-30-4080	5569-08A4G2-210	8	PEGS	POSITIVE	15 M.I. GOLD		94V-0							
H	39-30-3092	5569-09A3-210	9	SCREWS	POSITIVE	TIN/COPPER	94V-0		94V-0		39-30-4090	5569-09A4G2-210	9	PEGS	POSITIVE	15 M.I. GOLD		94V-0							
H	39-30-3102	5569-10A3-210	10	SCREWS	POSITIVE	TIN/COPPER	94V-0		94V-0		39-30-4100	5569-10A4G2-210	10	PEGS	POSITIVE	15 M.I. GOLD		94V-0							
H	39-30-3112	5569-11A3-210	11	SCREWS	POSITIVE	TIN/COPPER	94V-0		94V-0		39-30-4110	5569-11A4G2-210	11	PEGS	POSITIVE	15 M.I. GOLD		94V-0							
H	39-30-3122	5569-12A3-210	12	SCREWS	POSITIVE	TIN/COPPER	94V-0		94V-0		39-30-4120	5569-12A4G2-210	12	PEGS	POSITIVE	15 M.I. GOLD		94V-0							
G	39-30-3045	5569-04A4	4	PEGS	POSITIVE	TIN/COPPER	94V-2		94V-2		39-30-3043	5569-04A3G	4	SCREWS	POSITIVE	30 M.I. GOLD		94V-2							
G	39-30-3055	5569-05A4	5	PEGS	POSITIVE	TIN/COPPER	94V-2		94V-2		39-30-3053	5569-05A3G	5	SCREWS	POSITIVE	30 M.I. GOLD		94V-2							
G	39-30-3065	5569-06A4	6	PEGS	POSITIVE	TIN/COPPER	94V-2		94V-2		39-30-3063	5569-06A3G	6	SCREWS	POSITIVE	30 M.I. GOLD		94V-2							
G	39-30-3075	5569-07A4	7	PEGS	POSITIVE	TIN/COPPER	94V-2		94V-2		39-30-3073	5569-07A3G	7	SCREWS	POSITIVE	30 M.I. GOLD		94V-2							
G	39-30-3085	5569-08A4	8	PEGS	POSITIVE	TIN/COPPER	94V-2		94V-2		39-30-3083	5569-08A3G	8	SCREWS	POSITIVE	30 M.I. GOLD		94V-2							
G	39-30-3095	5569-09A4	9	PEGS	POSITIVE	TIN/COPPER	94V-2		94V-2		39-30-3093	5569-09A3G	9	SCREWS	POSITIVE	30 M.I. GOLD		94V-2							
G	39-30-3105	5569-10A4	10	PEGS	POSITIVE	TIN/COPPER	94V-2		94V-2		39-30-3103	5569-10A3G	10	SCREWS	POSITIVE	30 M.I. GOLD		94V-2							
F	39-30-3115	5569-11A4	11	PEGS	POSITIVE	TIN/COPPER	94V-2		94V-2		39-30-3113	5569-11A3G	11	SCREWS	POSITIVE	30 M.I. GOLD		94V-2							
F	39-30-3125	5569-12A4	12	PEGS	POSITIVE	TIN/COPPER	94V-2		94V-2		39-30-3123	5569-12A3G	12	SCREWS	POSITIVE	30 M.I. GOLD		94V-2							
F	39-30-3046	5569-04A4-210	4	PEGS	POSITIVE	TIN/COPPER	94V-0		94V-0			5569-04A3G-210	4	SCREWS	POSITIVE	30 M.I. GOLD		94V-0							
F	39-30-3056	5569-05A4-210	5	PEGS	POSITIVE	TIN/COPPER	94V-0		94V-0			5569-05A3G-210	5	SCREWS	POSITIVE	30 M.I. GOLD		94V-0							
F	39-30-3066	5569-06A4-210	6	PEGS	POSITIVE	TIN/COPPER	94V-0		94V-0			5569-06A3G-210	6	SCREWS	POSITIVE	30 M.I. GOLD		94V-0							
F	39-30-3076	5569-07A4-210	7	PEGS	POSITIVE	TIN/COPPER	94V-0		94V-0			5569-07A3G-210	7	SCREWS	POSITIVE	30 M.I. GOLD		94V-0							
F	39-30-3086	5569-08A4-210	8	PEGS	POSITIVE	TIN/COPPER	94V-0		94V-0			5569-08A3G-210	8	SCREWS	POSITIVE	30 M.I. GOLD		94V-0							
F	39-30-3096	5569-09A4-210	9	PEGS	POSITIVE	TIN/COPPER	94V-0		94V-0			5569-09A3G-210	9	SCREWS	POSITIVE	30 M.I. GOLD		94V-0							
F	39-30-3106	5569-10A4-210	10	PEGS	POSITIVE	TIN/COPPER	94V-0		94V-0			5569-10A3G-210	10	SCREWS	POSITIVE	30 M.I. GOLD		94V-0							
F	39-30-3116	5569-11A4-210	11	PEGS	POSITIVE	TIN/COPPER	94V-0		94V-0			5569-11A3G-210	11	SCREWS	POSITIVE	30 M.I. GOLD		94V-0							
F	39-30-3126	5569-12A4-210	12	PEGS	POSITIVE	TIN/COPPER	94V-0		94V-0			5569-12A3G-210	12	SCREWS	POSITIVE	30 M.I. GOLD		94V-0							
E	39-30-3047	5569-04A4G	4	PEGS	POSITIVE	30 M.I. GOLD		94V-2		39-30-7041	5569-04A4S	4	PEGS	POSITIVE	TIN/NICKEL		94V-2								
E	39-30-3057	5569-05A4G	5	PEGS	POSITIVE	30 M.I. GOLD		94V-2		39-30-7051	5569-05A4S	5	PEGS	POSITIVE	TIN/NICKEL		94V-2								
E	39-30-3067	5569-06A4G	6	PEGS	POSITIVE	30 M.I. GOLD		94V-2		39-30-7061	5569-06A4S	6	PEGS	POSITIVE	TIN/NICKEL		94V-2								
E	39-30-3077	5569-07A4G	7	PEGS	POSITIVE	30 M.I. GOLD		94V-2		39-30-7071	5569-07A4S	7	PEGS	POSITIVE	TIN/NICKEL		94V-2								
E	39-30-3087	5569-08A4G	8	PEGS	POSITIVE	30 M.I. GOLD		94V-2		39-30-7081	5569-08A4S	8	PEGS	POSITIVE	TIN/NICKEL		94V-2								
E	39-30-3097	5569-09A4G	9	PEGS	POSITIVE	30 M.I. GOLD		94V-2		39-30-7091	5569-09A4S	9	PEGS	POSITIVE	TIN/NICKEL		94V-2								
E	39-30-3107	5569-10A4G	10	PEGS	POSITIVE	30 M.I. GOLD		94V-2		39-30-7101	5569-10A4S	10	PEGS	POSITIVE	TIN/NICKEL		94V-2								
E	39-30-3117	5569-11A4G	11	PEGS	POSITIVE	30 M.I. GOLD		94V-2		39-30-7111	5569-11A4S	11	PEGS	POSITIVE	TIN/NICKEL		94V-2								
E	39-30-3127	5569-12A4G	12	PEGS	POSITIVE	30 M.I. GOLD		94V-2		39-30-7121	5569-12A4S	12	PEGS	POSITIVE	TIN/NICKEL		94V-2								
C	39-30-3048	5569-04A4G-210	4	PEGS	POSITIVE	30 M.I. GOLD		94V-0		39-30-7042	5569-04A4S-210	4	PEGS	POSITIVE	TIN/NICKEL		94V-0								
C	39-30-3058	5569-05A4G-210	5	PEGS	POSITIVE	30 M.I. GOLD		94V-0		39-30-7052	5569-05A4S-210	5	PEGS	POSITIVE	TIN/NICKEL		94V-0								
C	39-30-3068	5569-06A4G-210	6	PEGS	POSITIVE	30 M.I. GOLD		94V-0		39-30-7062	5569-06A4S-210	6	PEGS	POSITIVE	TIN/NICKEL		94V-0								
C	39-30-3078	5569-07A4G-210	7	PEGS	POSITIVE	30 M.I. GOLD		94V-0		39-30-7072	5569-07A4S-210	7	PEGS	POSITIVE	TIN/NICKEL		94V-0								
C	39-30-3088	5569-08A4G-210	8	PEGS	POSITIVE	30 M.I. GOLD		94V-0		39-30-7082	5569-08A4S-210	8	PEGS	POSITIVE	TIN/NICKEL		94V-0								
C	39-30-3098	5569-09A4G-210	9	PEGS	POSITIVE	30 M.I. GOLD		94V-0		39-30-7092	5569-09A4S-210	9	PEGS	POSITIVE	TIN/NICKEL		94V-0								
C	39-30-3108	5569-10A4G-210	10	PEGS	POSITIVE	30 M.I. GOLD		94V-0		39-30-7102	5569-10A4S-210	10	PEGS	POSITIVE	TIN/NICKEL		94V-0								
B	39-30-3118	5569-11A4G-210	11	PEGS	POSITIVE	30 M.I. GOLD		94V-0		39-30-7112	5569-11A4S-210	11	PEGS	POSITIVE	TIN/NICKEL		94V-0								
B	39-30-3128	5569-12A4G-210	12	PEGS	POSITIVE	30 M.I. GOLD		94V-0		39-30-7122	5569-12A4S-210	12	PEGS	POSITIVE	TIN/NICKEL		94V-0								

K		SEE SHEET ONE	E	SEE SHT. I	DIMS. SHOWN (METRIC) INCH		UNLESS OTHERWISE SPECIFIED TOLERANCES: ANGULAR ± 1/2°		TITLE		RIGHT ANGLE HEADER ASSY. (SINGLE ROW) (MINI-FIT JR. SERIES)		MOLEX INCORPORATED SHEET NO. 2 DATE 10/21/89	
LTR.		REVISIONS	LTR.	REVISIONS	J2	SEE SHT. I	DRAFT WHERE APPLICABLE MUST REMAIN WITHIN DIMENSIONS		SEE CHART.		SDA-5569-NL*		DIV. CP	
DRG. BY: R/JF		CHK'D. BY: BAP		APPR. BY: RAS		SCALE: --:--		FILE NAME: 5569NL2		THIS DRAWING CONTAINS INFORMATION THAT IS PROPRIETARY TO MOLEX INC. AND SHOULD NOT BE USED WITHOUT WRITTEN PERMISSION.		SIZE: CP		

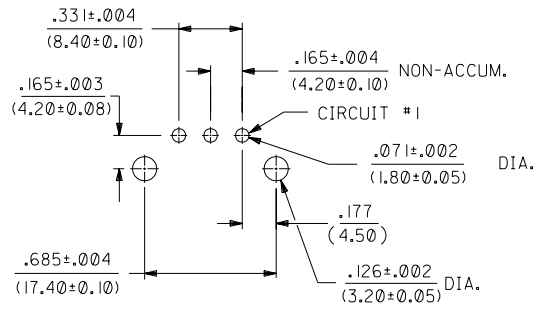
PART NUMBER	ENGINEERING NUMBER	MOUNT OPTION	PLATING	MAT'L.
39-31-1032	5569-03A4-BL	4	BLANK	BL
39-30-3031	5569-03A3	3	BLANK	BLANK
39-30-4039	5569-03A3GS2	3	GS2	
39-30-4037	5569-03A3GS	3	GS	
39-30-4035	5569-03A3G2	3	G2	
39-30-3033	5569-03A3G	3	G	
39-30-3035	5569-03A4	4	BLANK	
39-30-4033	5569-03A4GS2	4	GS2	
39-30-4031	5569-03A4GS	4	GS	
39-30-3039	5569-03A4G2	4	G2	
39-30-3037	5569-03A4G	4	G	
39-30-6039	5569-03A3S	3	S	
39-30-7031	5569-03A4S	4	S	BLANK
39-30-3032	5569-03A3-210	3	BLANK	210
39-30-5030	5569-03A3GS2-210	3	GS2	
39-30-4038	5569-03A3GS-210	3	GS	
39-30-4036	5569-03A3G2-210	3	G2	
39-30-3034	5569-03A3G-210	3	G	
39-30-3036	5569-03A4-210	4	BLANK	
39-30-4034	5569-03A4GS2-210	4	GS2	
39-30-4032	5569-03A4GS-210	4	GS	
39-30-4030	5569-03A4G2-210	4	G2	
39-30-3038	5569-03A4G-210	4	G	
39-30-7030	5569-03A3S-210	3	S	
39-30-7032	5569-03A4S-210	4	S	210
NO E.D.P.	5569-03A5	5	BLANK	BLANK
NO E.D.P.	5569-03A5GS2	5	GS2	
NO E.D.P.	5569-03A5GS	5	GS	
NO E.D.P.	5569-03A5G2	5	G2	
NO E.D.P.	5569-03A5G	5	G	
NO E.D.P.	5569-03A5S	5	S	BLANK
NO E.D.P.	5569-03A5-210	5	BLANK	210
NO E.D.P.	5569-03A5GS2-210	5	GS2	
NO E.D.P.	5569-03A5GS-210	5	GS	
NO E.D.P.	5569-03A5G2-210	5	G2	
NO E.D.P.	5569-03A5G-210	5	G	
39-34-3037	5569-03A5S-210	5	S	210

NOTES:

- HOUSING MATERIAL:
 "BLANK" = NYLON 6/6, U.L. 94V-2, COLOR: NATURAL.
 210 = NYLON 6/6, U.L. 94V-0, COLOR: NATURAL.
 BL = NYLON 6/6, U.L. 94V-2, COLOR: BLACK (DYED).
- PART MATES WITH MOLEX RECEPTACLE #5557.
- PART IS DESIGNED IN METRIC.
- TERMINAL MATERIAL: BRASS, ALLOY 260.
- TERMINAL PLATING:
 "BLANK" - .000200/(.00508) MIN. TIN OVER .00100/(.00254) MIN. COPPER.
 G - .000030/(.00076) MIN. GOLD OVER .000050/(.00127) MIN. NICKEL.
 G2 - .000015/(.00038) MIN. GOLD OVER .000030/(.00076) MIN. NICKEL.
 S - .000100/(.00254) MIN. TIN OVER .000050/(.00127) MIN. NICKEL.
 GS - .000030/(.00076) MIN. SELECT GOLD, .000075/(.00191) MIN. SELECT TIN-LEAD OVER .000050/(.00127) MIN. NICKEL.
 GS2 - .000015/(.00038) MIN. SELECT GOLD, .000075/(.00191) MIN. SELECT TIN-LEAD OVER .000050/(.00127) MIN. NICKEL.
- PRODUCT SPECIFICATION: PS-5556-001
- PART IS DESIGNED FOR USE WITH 4 - 40 OR M3 SCREWS.



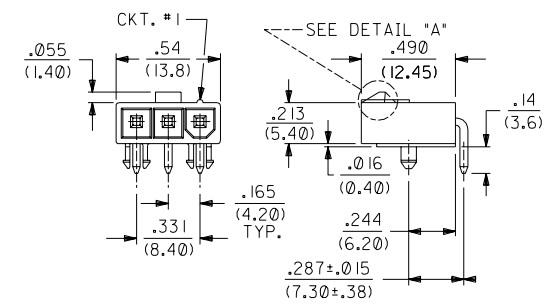
RIGHT ANGLE HEADER (SCREW MOUNT)



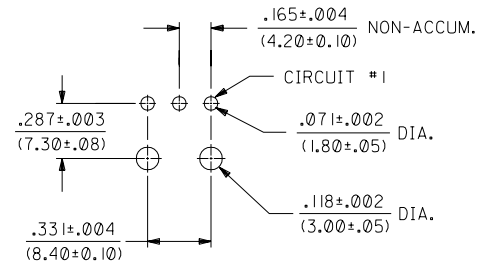
RECOMMENDED HOLE LAYOUT FOR .070/(1.78) MAX. THICK P.C. BOARD



DETAIL "A" PASSIVE RAMP OPTION

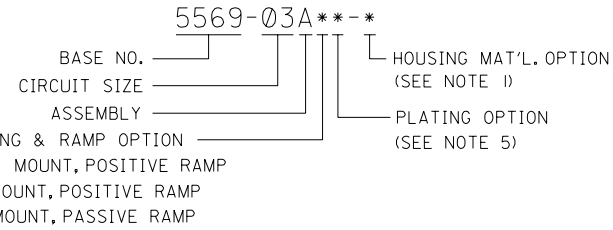


RIGHT ANGLE HEADER (PEG MOUNT)



RECOMMENDED HOLE LAYOUT FOR .070/(1.78) MAX. THICK P.C. BOARD

LEGEND



M	REV. PS NOTE UCP2003-0396 9/3/2002 SAMIEC
L	REV. CKT. #1 RIB UCP 2003-037 POLGAR 02-0028
K2	REVISED UCR1999-0708 99/04/20 L.MOSLEY
K1	ADD EDP NUMBER PER ECN# U70799 97/1/15 MBANDURA
K	ADD PASSIVE RAMP ECN U50650 GEP 1-4-95
J	REV. PROD. SPEC. ECN U11610 GEP 8-1-91 RJF
H	ADDED ±.015 ECN U10581 GEP 3-8-91 RJF
G	REV. PROD. SPEC'S ECN U100837 GEP 10-24-90 RJF
F	REDRAWN ON CAD ECN U100708 GEP 9-28-90 RJF

DIMENSIONS SHOWN (METRIC) INCH UNLESS OTHERWISE SPECIFIED TOLERANCES: ANGULAR ± .030		▽ = 0		▽ = 0		REVISE ONLY ON CAD SYSTEM	
3 PLACE ± .010		2 PLACE ± .015 ± 0.25		1 PLACE --- ± 0.38		TITLE: RIGHT ANGLE HEADER ASSY. 3 CKT., SINGLE ROW (MINI-FIT JR. SERIES)	
DRAFT WHERE APPLICABLE MUST REMAIN WITHIN DIMENSIONS		MOLEX INCORPORATED		SHEET NO. 1 OF 1		DATE 9/20/90	
PART NO. SDA-5569-03A**		SEE CHART		DRWG. NO.		U.S.A.	
DRWG. BY GEP		CHK'D. BY RJF		FILE NAME 555693X1		THIS DRAWING CONTAINS INFORMATION THAT IS PROPRIETARY TO MOLEX INC. AND SHOULD NOT BE USED WITHOUT WRITTEN PERMISSION	
APPR'D. BY RAS		SCALE 2 : 1		DIV. CP		SIZE	