

**ebm-papst St. Georgen GmbH & Co. KG**

Hermann-Papst-Str. 1
 D-78112 St. Georgen
 Phone +49 (0) 7724 81-0
 Fax +49 (0) 7724 81-1309
 info2@de.ebmpapst.com
 www.ebmpapst.com

Nominal data

| Type | 4118 NH6 | |
|--------------------------|-------------------|----------|
| Nominal voltage | VDC | 48 |
| Nominal voltage range | VDC | 36 .. 60 |
| Speed | min ⁻¹ | 8400 |
| Power input | W | 62 |
| Min. ambient temperature | °C | -20 |
| Max. ambient temperature | °C | 65 |
| Air flow | m ³ /h | 440 |
| Sound power level | B | 8.1 |
| Sound pressure level | dB(A) | 73 |

ml = max. load · me = max. efficiency · fa = running at free air · cs = customer specs · cu = customer unit
 Subject to alterations

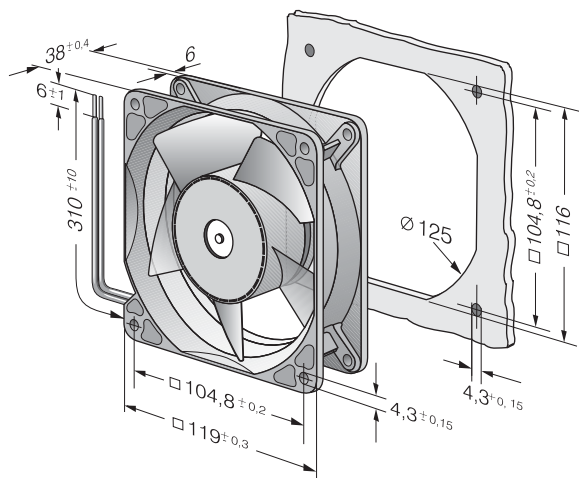


Technical features

| | |
|--|--|
| Mass | 0.390 kg |
| Dimensions | 119 x 119 x 38 mm |
| Material of impeller | Fiberglass-reinforced PA plastic |
| Housing material | Aluminum with grounding lug for screw M4 x 8 (TORX). |
| Direction of air flow | Inlet over bars |
| Direction of rotation | Clockwise, looking at rotor |
| Bearing | Ball bearings |
| Lifetime L10 at 40 °C | 60000 h |
| Lifetime L10 at maximum temperature | 32500 h |
| Connection line | Single strands AWG 22, UL 1007, TR 64, bared and tin-plated. |
| Motor protection | Protected against reverse polarity and locking. |
| Approval | VDE, CSA, UL |



Product drawing



Charts: Air flow

