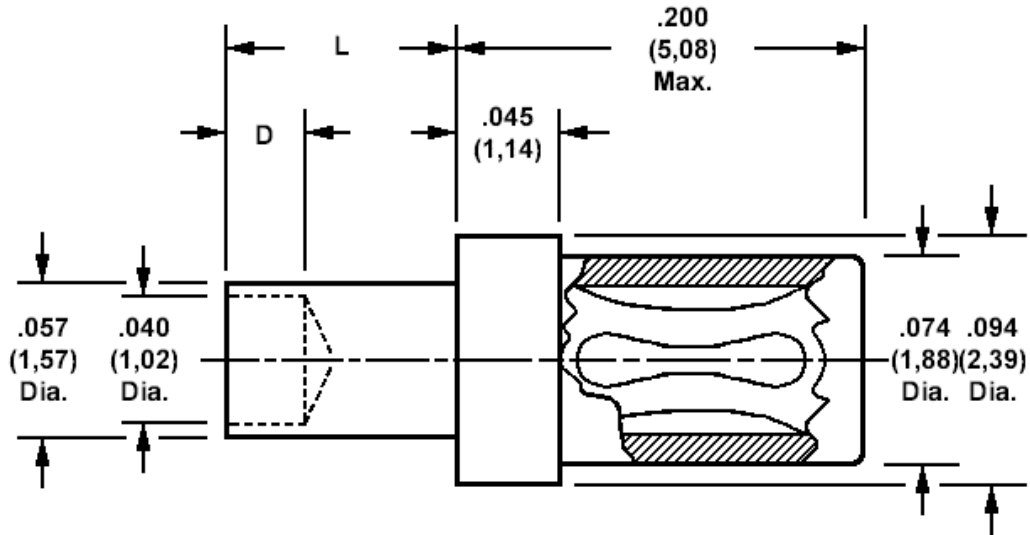


450-3394 Swage mount socket, for .025 (0,64) diameter pins

Recommended mounting hole .061 (1,57) ± .002 (0,05)



Min hole depth .140 (3,58)

How to order code

450-3394-YY-XX-00

Basic Part No YY = Board thickness XX = Finish

DIMENSIONS			
Dash No (YY)	'L'	'D'	Board Thickness
-01	.060(1,57)	.040 (1,02)	.031(0,79)
-02	.094(2,39)	.061 (1,57)	.061(1,57)
-03	.125(3,18)	.061 (1,57)	.094(2,39)
-04	.156(3,96)	.061 (1,57)	.125(3,18)

MATERIALS				
Component	Material	Finish(-03)	Finish(-04)	Finish(-06)
Body	Brass	Gold over Nickel	Tin	Tin
Spring	Beryllium copper	Gold over Nickel	Tin	Gold over Nickel

TOOLING	
Recommended Swaging Tools:-	
Anvil	435-6495-01-00-00
Roll punch	435-6642-01-00-00
Flare Punch	435-6657-01-00-00