

**PLEASE CHECK WWW.MOLEX.COM FOR LATEST PART INFORMATION**

**Part Number:** [0554500669](#)  
**Status:** **Active**  
**Description:** 1.25mm (.049") Pitch Mi II™ System Wire-to-Board Header, SMT, Single Row, Vertical, 6 Circuits, without Plastic Peg, Lead-free

**Documents:**

[3D Model](#) [Product Specification PS-54596-022 \(PDF\)](#)  
[Drawing \(PDF\)](#) [RoHS Certificate of Compliance \(PDF\)](#)

**General**

Product Family PCB Headers  
 Series [55450](#)  
 Application Wire-to-Board  
 Product Name Mini Mi II™

**Physical**

Breakaway No  
 Circuits (Loaded) 6  
 Circuits (maximum) 6  
 Color - Resin Natural  
 Durability (mating cycles max) 30  
 First Mate / Last Break No  
 Glow-Wire Compliant No  
 Guide to Mating Part No  
 Keying to Mating Part None  
 Lock to Mating Part Yes  
 Mated Height (in) 0.331 In  
 Mated Height (mm) 8.40 mm  
 Material - Metal Brass  
 Material - Plating Mating Tin  
 Material - Plating Termination Tin  
 Material - Resin High Temperature Thermoplastic  
 Number of Rows 1  
 Orientation Vertical  
 PCB Locator No  
 PCB Retention Yes  
 Packaging Type Embossed Tape on Reel  
 Pitch - Mating Interface (in) 0.049 In  
 Pitch - Mating Interface (mm) 1.25 mm  
 Plating min: Mating (µin) 40  
 Plating min: Mating (µm) 1.00  
 Plating min: Termination (µin) 40  
 Plating min: Termination (µm) 1.00  
 Polarized to Mating Part Yes  
 Shrouded Fully  
 Stackable No  
 Temperature Range - Operating -40°C to +105°C  
 Termination Interface: Style Surface Mount

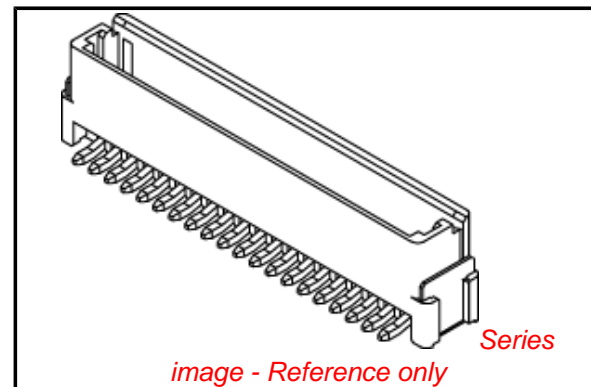
**Electrical**

Current - Maximum per Contact 1.5A  
 Voltage - Maximum 100V

**Material Info**

**Reference - Drawing Numbers**

Product Specification PS-54596-022, RPS-54596-025, RPS-54596-026



**EU RoHS**

**ELV and RoHS  
 Compliant**  
**REACH SVHC**  
 Not Reviewed  
**Halogen-Free  
 Status**  
**Not Reviewed**

**China RoHS**



**Need more information on product  
 environmental compliance?**

Email [productcompliance@molex.com](mailto:productcompliance@molex.com)  
 For a multiple part number RoHS Certificate of Compliance, [click here](#)

Please visit the [Contact Us](#) section for any non-product compliance questions.

**Search Parts in this Series**

[55450Series](#)

**Mates With**

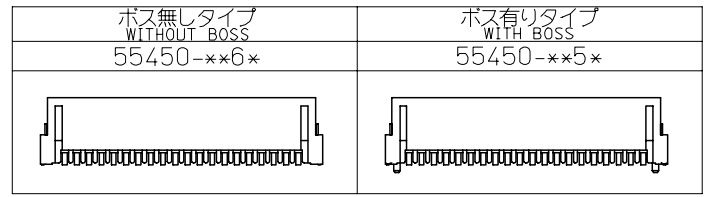
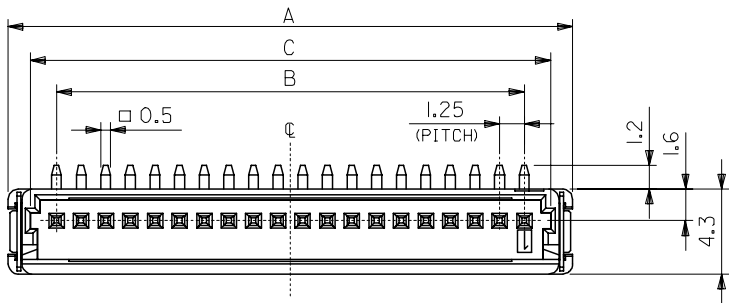
[54596 IDT Receptacle Housing](#)

This document was generated on 04/16/2010

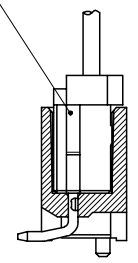
**PLEASE CHECK [WWW.MOLEX.COM](http://WWW.MOLEX.COM) FOR LATEST PART INFORMATION**

10 9 8 7 6 5 4 3 2 1

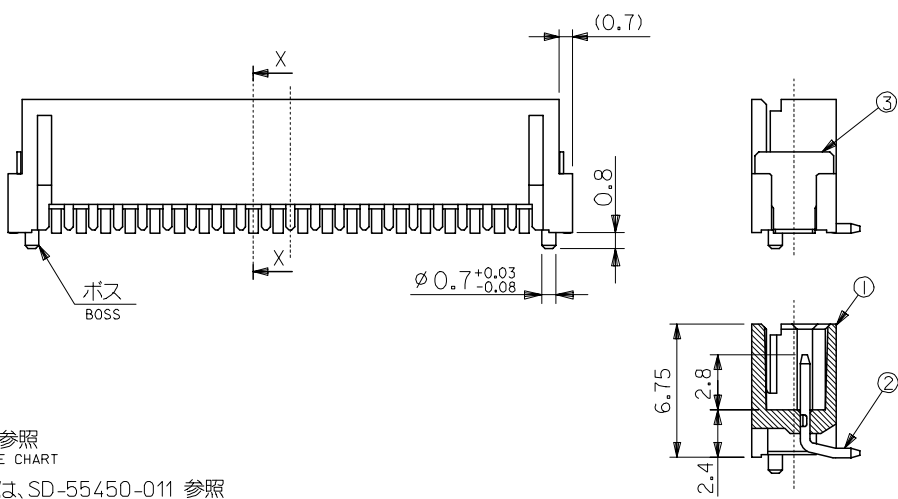
番号 NO.	名称 NAME	原料 MATERIAL	数量 QTY	仕上げ FINISH
①	ウエハー WAFER	ナイロン NYLON	1	UL94V-0
②	ピン PIN	黄銅 BRASS	N	全体錫メッキ PRE-TINNED
③	フィッティングネール FITTING NAIL	黄銅 BRASS	2	錫メッキ TIN PLATING



54596-\*\*\*  
リセプトフルアセンブリ  
REC. ASS'Y



嵌合図  
MATING REC.



断面 X-X  
SECTION X-X

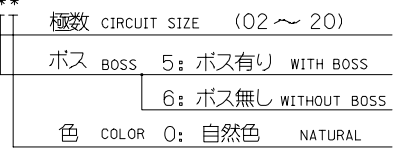
27.05	26.25	26.4	23.75	28.65	20	55450-20**
25.8	25	25.15	22.5	27.4	19	-19**
24.55	23.75	23.9	21.25	26.15	18	-18**
23.3	22.5	22.65	20	24.9	17	-17**
22.05	21.25	21.4	18.75	23.65	16	-16**
20.8	20	20.15	17.5	22.4	15	-15**
19.55	18.75	18.9	16.25	21.15	14	-14**
18.3	17.5	17.65	15	19.9	13	-13**
17.05	16.25	16.4	13.75	18.65	12	-12**
15.8	15	15.15	12.5	17.4	11	-11**
14.55	13.75	13.9	11.25	16.15	10	-10**
13.3	12.5	12.65	10	14.9	9	-09**
12.05	11.25	11.4	8.75	13.65	8	-08**
10.8	10	10.15	7.5	12.4	7	-07**
9.55	8.75	8.9	6.25	11.15	6	-06**
8.3	7.5	7.65	5	9.9	5	-05**
7.05	6.25	6.4	3.75	8.65	4	-04**
5.8	5	5.15	2.5	7.4	3	-03**
4.55	3.75	3.9	1.25	6.15	2	55450-02**
E	D	C	B	A	極数 CIRCUIT SIZE	△ 製品番号 MATERIAL NO.

注) NOTES

1. 原料および仕上げ: 表参照  
MATERIAL AND FINISH: SEE CHART
2. インボス梱包品の詳細は、SD-55450-011 参照  
REFER TO THE SD-55450-011 FOR THE EMBOSSED PACKAGING.
3. 端子平坦度は 0.15 MA X. とする。  
COPLANALITY TO BE 0.15 MAX.

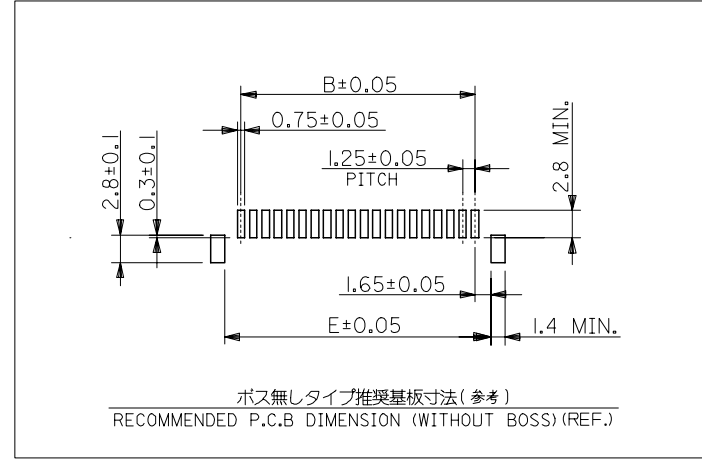
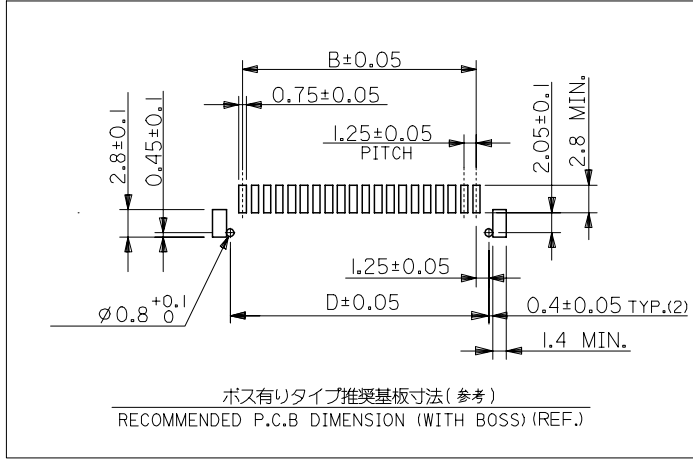
△ 製品番号  
MATERIAL NO.

55450-\*\*\*\*



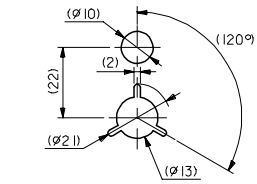
5. 本製品は 55450-\*\*10/\*\*30/\*\*70/\*\*80 の鉛フリー品である。  
THIS PRODUCT IS LEAD FREE OF 55450-\*\*10/\*\*30/\*\*70/\*\*80.

REVISED EC NO: J2007-0566 DRWN: OTANI CHKD: NUKITA APPR: NUKITA	DESCRIPTION	GENERAL TOLERANCES (UNLESS SPECIFIED)		DIMENSION STYLE MM ONLY		SCALE 4:1	DESIGN UNITS METRIC	THIRD ANGLE PROJECTION	
		10 UNDER	±0.2	DRAWN BY N. AIDA	DATE '05/02/01	TITLE MINI M12 1-ROW SMT WAFER ASS'Y (TIN) -LEAD FREE-		MOLEX INCORPORATED	
10 OVER 30 UNDER	±0.25	CHECKED BY K. TOJO	DATE '05/02/01	APPROVED BY N. UKITA		DATE '05/02/01	DOCUMENT NO. SD-55450-010		
30 OVER	±0.3	ANGULAR ±3 °		MATERIAL NO. SEE CHART		SHEET NO. 1 OF 2		THIS DRAWING CONTAINS INFORMATION THAT IS PROPRIETARY TO MOLEX INCORPORATED AND SHOULD NOT BE USED WITHOUT WRITTEN PERMISSION	
DRAFT WHERE APPLICABLE MUST REMAIN WITHIN DIMENSIONS		SIZE A3		MATERIAL NO. SEE CHART		DOCUMENT NO. SD-55450-010		SHEET NO. 1 OF 2	

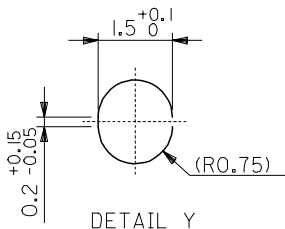


REVISED EC NO: J2007-0566 DRWN: OTANI 2006/09/01 CHKD: NUKITA 2006/09/05 APPR: NUKITA 2006/09/08	GENERAL TOLERANCES (UNLESS SPECIFIED)		DIMENSION STYLE MM ONLY		SCALE 4:1	DESIGN UNITS METRIC	THIRD ANGLE PROJECTION	
	10 UNDER	±0.2	DRAWN BY N.AIDA	DATE '05/02/01	TITLE MINI M12 1-ROW SMT WAFER ASS'Y (TIN) -LEAD FREE-			
	10 OVER 30 UNDER	±0.25	CHECKED BY K.TOJO	DATE '05/02/01				
	30 OVER	±0.3	APPROVED BY N.NUKITA	DATE '05/02/01	MOLEX INCORPORATED DOCUMENT NO. SD-55450-010 SHEET NO. 2 OF 2			
	ANGULAR	±3 °	MATERIAL NO. SEE CHART					
DRAFT WHERE APPLICABLE MUST REMAIN WITHIN DIMENSIONS		SIZE A3		THIS DRAWING CONTAINS INFORMATION THAT IS PROPRIETARY TO MOLEX INCORPORATED AND SHOULD NOT BE USED WITHOUT WRITTEN PERMISSION				

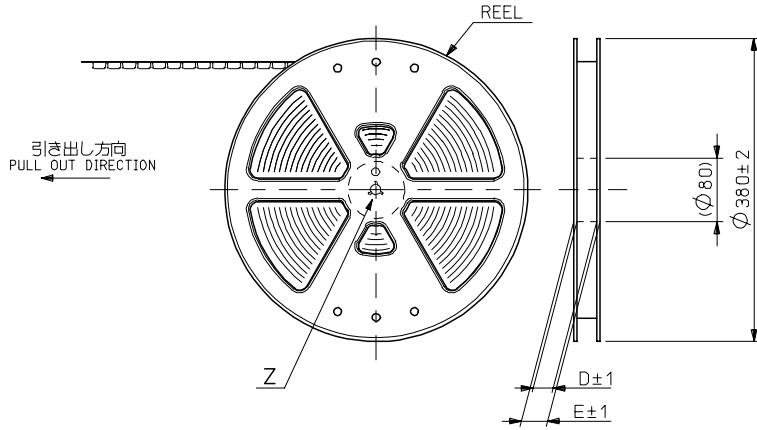
10 9 8 7 6 5 4 3 2 1



DETAIL Z

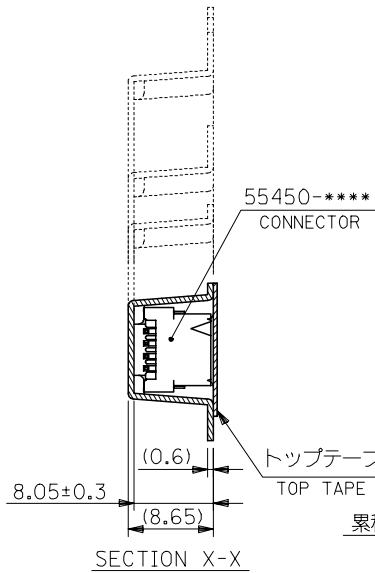


DETAIL Y  
(10:1)

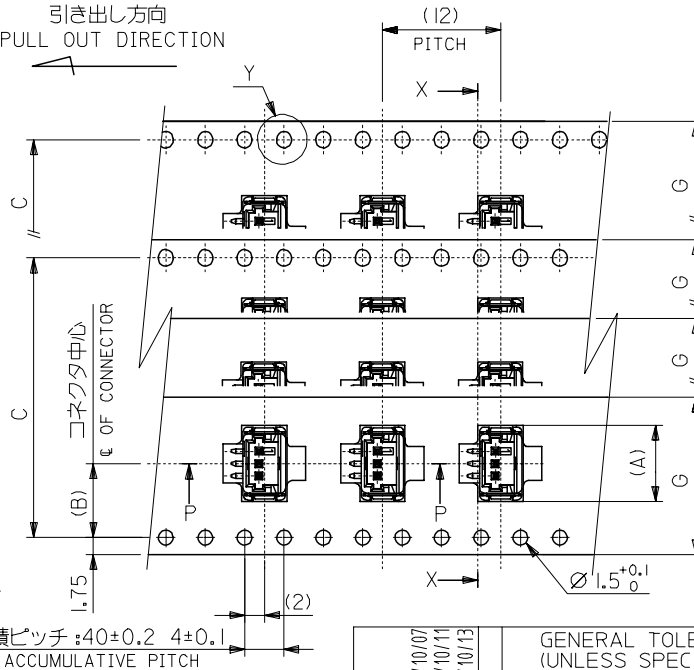


引き出し方向  
PULL OUT DIRECTION

引き出し方向  
PULL OUT DIRECTION



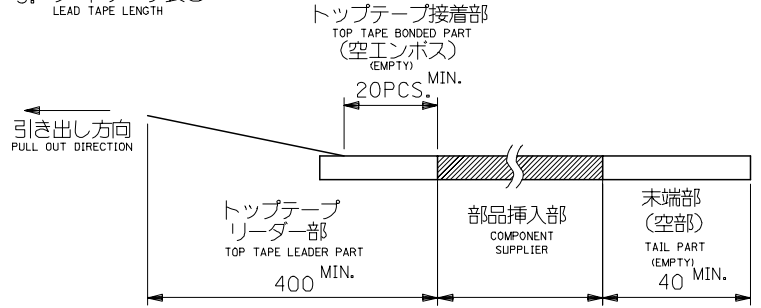
SECTION X-X



累積ピッチ: 40±0.2 4±0.1  
ACCUMULATIVE PITCH

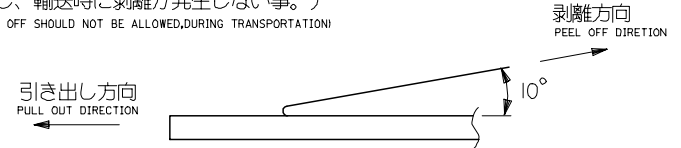
注)  
NOTES

- 製品番号 55450-\*\*\*\* の詳細寸法については、SD-55450-010 を参照下さい。  
IN THE PACKAGE, PART NO. 55450-\*\*\*\* DETAILED DIMENSIONS, SEE SD-55450-010.
- 梱包数量 : 880個/リール  
NUMBER OF CONNECTORS : 880 PCS/REEL
- リードテープ長さ  
LEAD TAPE LENGTH



- トップテープの剥離強度 (剥離方向は下図参照)  
PEELING OFF FORCE OF TOP TAPE (PEELING DIRECTION AS SHOWN IN FOLLOWING FIG.)  
0.1~1.3N ( 10~130gf )

尚、本規格値は、出荷時に適用。  
THIS REQUIREMENT SHOULD BE APPLIED AT SHIPMENT  
(但し、輸送時に剥離が発生しない事。)  
(PEEL OFF SHOULD NOT BE ALLOWED, DURING TRANSPORTATION)



- 材料  
MATERIAL  
キャリアテープ : ポリプロピレン (PP)  
CARRIER TAPE : POLYPROPYLENE (PP)  
トップテープ : PET, PE, PEF  
TOP TAPE : PET, PE, PEF  
リール : ポリスチレン  
REEL : POLYSTYRENE

△ テープ巾32, 44mmに適用。  
THIS DIMENSION SHOULD BE APPLIED AT TAPE WIDTH OF 32, 44mm

- 本製品は 55450-xx19/xx39/xx79/xx89 の鉛フリー品である。  
THIS PRODUCT IS LEAD FREE OF 55450-xx19/xx39/xx79/xx89.

REVISED EC NO: J2006-1116 DRW: N. SUZUKI CHK: K. TOYODA APP: N. UKITA REV: A	DESCRIPTION 2005/10/07 2005/10/11 2005/10/13	GENERAL TOLERANCES (UNLESS SPECIFIED)		DIMENSION STYLE MM ONLY		SCALE ---	DESIGN UNITS METRIC	THIRD ANGLE PROJECTION		
		10 UNDER	± ---	DRAWN BY N. AIDA	DATE '05/02/01	TITLE EMBOSSD TAPE PACKAGE FOR 55450-**** -LEAD FREE-				
		10 OVER 30 UNDER	± ---	CHECKED BY K. TOJO	DATE '05/02/01	MOLEX INCORPORATED				
		30 OVER	± ---	APPROVED BY N. UKITA	DATE '05/02/01	DOCUMENT NO. SD-55450-011				
ANGULAR ± --- °		DRAFT WHERE APPLICABLE MUST REMAIN WITHIN DIMENSIONS		MATERIAL NO. SEE CHART		SHEET NO. 1 OF 3				
SIZE A3 THIS DRAWING CONTAINS INFORMATION THAT IS PROPRIETARY TO MOLEX INCORPORATED AND SHOULD NOT BE USED WITHOUT WRITTEN PERMISSION										

10 9 8 7 6 5 4 3 2 1

F

E

D

C

B

A

G	F	E	(D)	C	(B)	(A)	CONNECTOR	エンボス梱包品 製品番号 MATERIAL NO.	MODEL NO.	CONNECTOR	エンボス梱包品 製品番号 MATERIAL NO.	MODEL NO.	極数 CIRCUIT SIZE	量産対応 AVAILABLE
44	3	49.4	45.4	40.4	20.2	28.95	55450-2060	55450-2069	55450-**69 ボス無し WITHOUT BOSS	55450-2050	55450-2059	55450-**59 ボス有り WITH BOSS	20	OK
						27.7	-1960	-1969		-1950	-1959		19	NO
						26.45	-1860	-1869		-1850	-1859		18	OK
						25.2	-1760	-1769		-1750	-1759		17	NO
						23.95	-1660	-1669		-1650	-1659		16	OK
						22.7	-1560	-1569		-1550	-1559		15	OK
						21.45	-1460	-1469		-1450	-1459		14	OK
32	2	37.4	33.4	28.4	14.2	20.2	-1360	-1369	-1350	-1359	13	OK		
						18.95	-1260	-1269	-1250	-1259	12	OK		
						17.7	-1160	-1169	-1150	-1159	11	OK		
						16.45	-1060	-1069	-1050	-1059	10	OK		
24	2	29.4	25.4	11.5	15.2	-0960	-0969	-0950	-0959	9	NO			
					13.95	-0860	-0869	-0850	-0859	8	OK			
					12.7	-0760	-0769	-0750	-0759	7	OK			
					11.45	-0660	-0669	-0650	-0659	6	OK			
					10.2	-0560	-0569	-0550	-0559	5	OK			
					8.95	-0460	-0469	-0450	-0459	4	NO			
16	2	21.4	17.4	7.5	7.7	-0360	-0369	-0350	-0359	3	OK			
					6.45	55450-0260	55450-0269	55450-0250	55450-0259	2	OK			

REVISED EC NO: J2006-1116 DRW: NESUZUKI CHK: KATOYODA APPR: NUKITA 2005/10/07 2005/10/11 2005/10/13	GENERAL TOLERANCES (UNLESS SPECIFIED)	DIMENSION STYLE MM ONLY	SCALE ---	DESIGN UNITS METRIC	THIRD ANGLE PROJECTION	
	10 UNDER ± ---	10 OVER 30 UNDER ± ---	30 OVER ± ---	ANGULAR ± --- °	DRAFT WHERE APPLICABLE MUST REMAIN WITHIN DIMENSIONS	
	DRAWN BY N. AIDA		DATE '05/02/01	TITLE EMBOSSSED TAPE PACKAGE FOR 55450-**** -LEAD FREE-		
	CHECKED BY K. TOJO		DATE '05/02/01	MOLEX INCORPORATED		
	APPROVED BY N. UKITA		DATE '05/02/01	MATERIAL NO. SEE CHART	DOCUMENT NO. SD-55450-011	SHEET NO. 2 OF 3

10 9 8 7 6 5 4 3 2 1

F

E

D

C

B

A

F

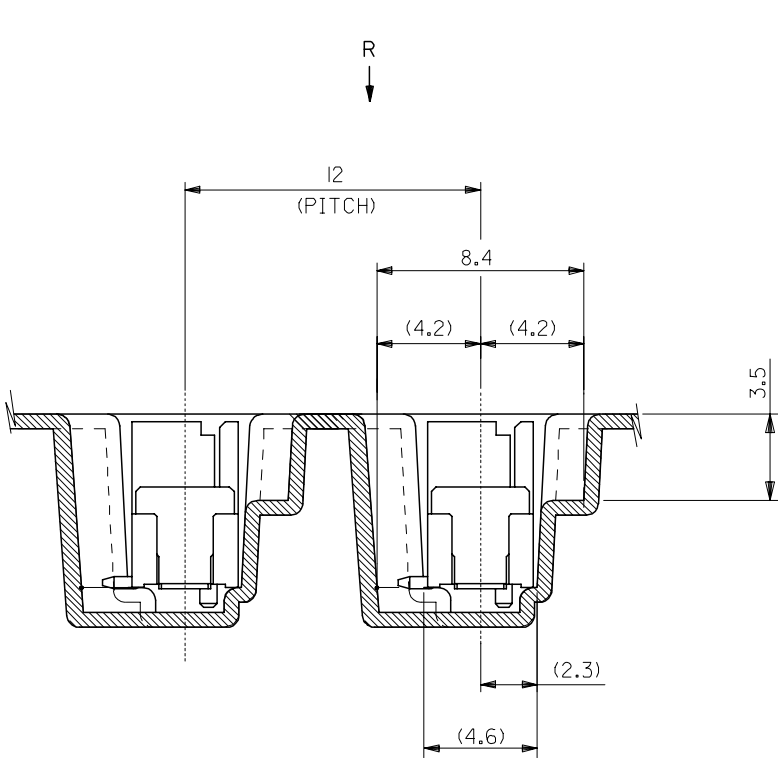
E

D

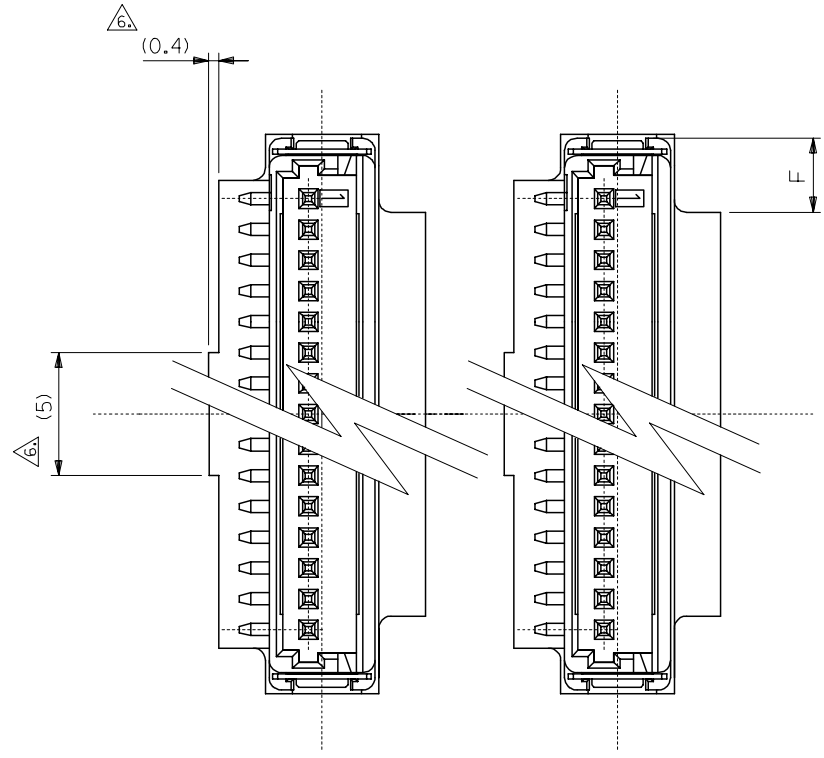
C

B

A



SECTION P-P  
(5:1)



VIEW R  
(5:1)

REVISED EC NO: J2006-1116 DRW: N. SUZUKI CHK: K. TOYODA APPR: N. UKITA 2005/10/07 2005/10/11 2005/10/13	GENERAL TOLERANCES (UNLESS SPECIFIED)		DIMENSION STYLE MM ONLY		SCALE 5:1	DESIGN UNITS METRIC	THIRD ANGLE PROJECTION	
	10 UNDER	± ---	DRAWN BY N. AIDA	DATE '05/02/01	TITLE EMBOSSD TAPe PACKAGE FOR 55450-**** -LEAD FREE-			
	10 OVER 30 UNDER	± ---	CHECKED BY K. TOJO	DATE '05/02/01				
	30 OVER	± ---	APPROVED BY N. UKITA	DATE '05/02/01	MOLEX INCORPORATED			
	ANGULAR	± --- °	MATERIAL NO.	DOCUMENT NO.				
DRAFT WHERE APPLICABLE MUST REMAIN WITHIN DIMENSIONS		SIZE A3		SEE CHART		SD-55450-011		3 OF 3

9

8

7

6

5

4

3

2