

PLEASE CHECK WWW.MOLEX.COM FOR LATEST PART INFORMATION

Part Number: [0554502069](#)
Status: **Active**
Description: 1.25mm (.049") Pitch Mi II™ System Wire-to-Board Header, SMT, Single Row, Vertical, Without Plastic Peg, Lead-free, 20 Circuits

Documents:

[3D Model](#) [Product Specification PS-54596-022 \(PDF\)](#)
[Drawing \(PDF\)](#) [RoHS Certificate of Compliance \(PDF\)](#)

General

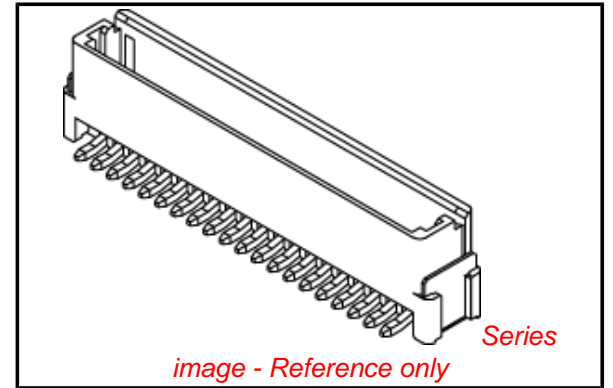
Product Family	PCB Headers
Series	55450
Application	Wire-to-Board
MolexKits	Yes
Product Name	Mini Mi II™

Physical

Breakaway	No
Circuits (Loaded)	20
Circuits (maximum)	20
Color - Resin	Natural
Durability (mating cycles max)	30
First Mate / Last Break	No
Glow-Wire Compliant	No
Guide to Mating Part	No
Keying to Mating Part	None
Lock to Mating Part	Yes
Material - Metal	Brass
Material - Plating Mating	Tin
Material - Plating Termination	Tin
Material - Resin	High Temperature Thermoplastic
Number of Rows	1
Orientation	Vertical
PC Tail Length (in)	0.000 In
PC Tail Length (mm)	0.00 mm
PCB Locator	No
PCB Retention	Yes
PCB Thickness Recommended (in)	0.000 In
PCB Thickness Recommended (mm)	0.00 mm
Packaging Type	Embossed Tape on Reel
Pitch - Mating Interface (in)	0.049 In
Pitch - Mating Interface (mm)	1.25 mm
Pitch - Term. Interface (in)	0.049 In
Pitch - Term. Interface (mm)	1.25 mm
Polarized to Mating Part	Yes
Polarized to PCB	Yes
Shrouded	Closed Ends
Stackable	No
Surface Mount Compatible (SMC)	Yes
Temperature Range - Operating	-40°C to +105°C
Termination Interface: Style	Surface Mount

Electrical

Current - Maximum per Contact	1.5A, 1A
Voltage - Maximum	100V AC (RMS)/DC



EU RoHS

**ELV and RoHS
Compliant**
REACH SVHC
 Not Reviewed
**Halogen-Free
Status**
 Not Reviewed

China RoHS



**Need more information on product
environmental compliance?**

Email productcompliance@molex.com
 For a multiple part number RoHS Certificate of Compliance, [click here](#)

Please visit the [Contact Us](#) section for any non-product compliance questions.

Search Parts in this Series

[55450Series](#)

Mates With

[54596 IDT Receptacle Housing](#)

Material Info

Reference - Drawing Numbers

Packaging Specification

Product Specification

Sales Drawing

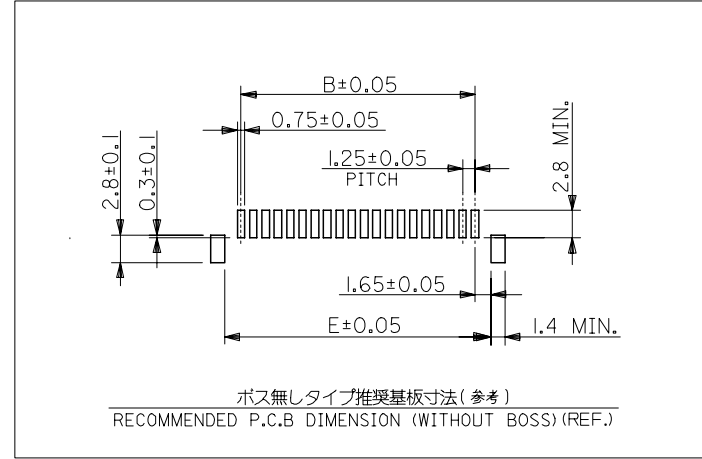
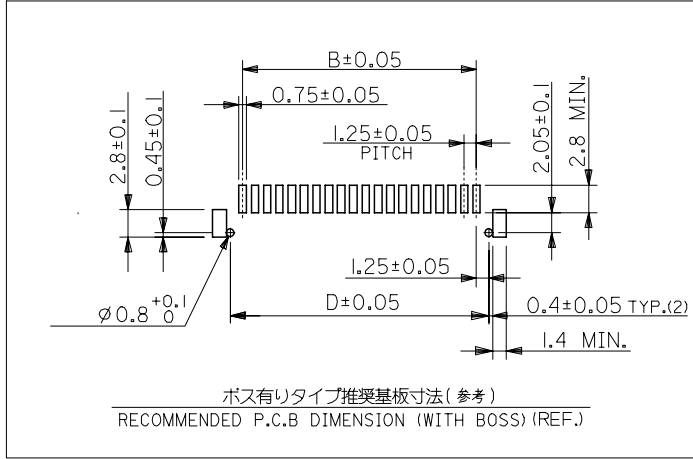
SPK-55450-001

PS-54596-022, RPS-54596-025, RPS-54596-026

SD-55450-010, SD-55450-011

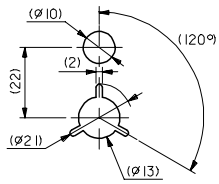
This document was generated on 06/07/2010

PLEASE CHECK WWW.MOLEX.COM FOR LATEST PART INFORMATION

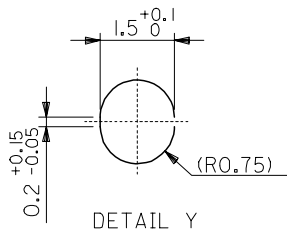


REVISED EC NO: J2007-0566 DRWN: OTANI 2006/09/01 CHK: NUKITA 2006/09/05 APPR: NUKITA 2006/09/08	GENERAL TOLERANCES (UNLESS SPECIFIED)		DIMENSION STYLE MM ONLY		SCALE 4:1	DESIGN UNITS METRIC	THIRD ANGLE PROJECTION	
	10 UNDER	±0.2	DRAWN BY N. AIDA	DATE '05/02/01	TITLE MINI M12 1-ROW SMT WAFER ASS'Y (TIN) -LEAD FREE-			
	10 OVER 30 UNDER	±0.25	CHECKED BY K. TOJO	DATE '05/02/01				
	30 OVER	±0.3	APPROVED BY N. UKITA	DATE '05/02/01	MOLEX INCORPORATED DOCUMENT NO. SD-55450-010 SHEET NO. 2 OF 2			
	ANGULAR	±3 °	MATERIAL NO.					
DRAFT WHERE APPLICABLE MUST REMAIN WITHIN DIMENSIONS		SIZE A3		THIS DRAWING CONTAINS INFORMATION THAT IS PROPRIETARY TO MOLEX INCORPORATED AND SHOULD NOT BE USED WITHOUT WRITTEN PERMISSION				

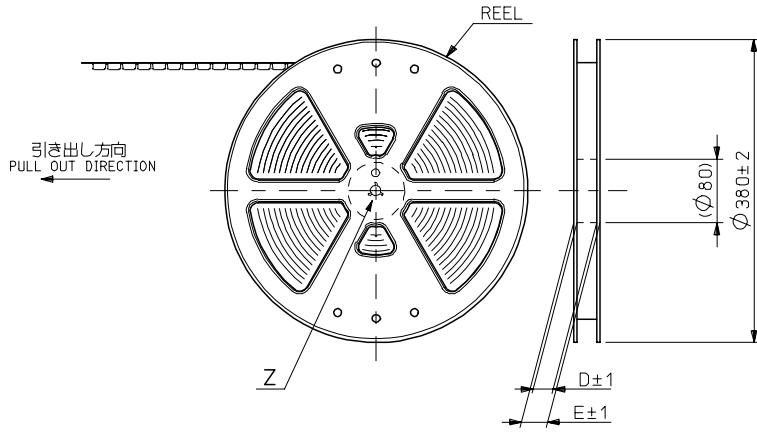
10 9 8 7 6 5 4 3 2 1



DETAIL Z

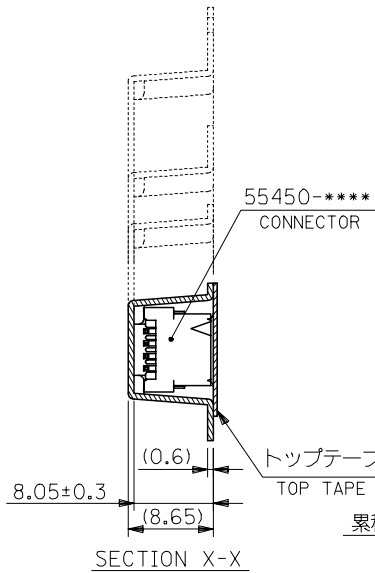


DETAIL Y
(10:1)



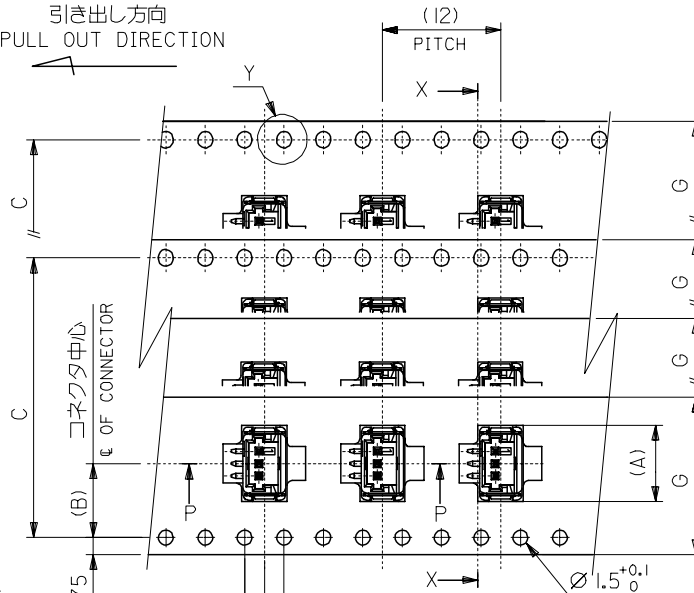
引き出し方向
PULL OUT DIRECTION

引き出し方向
PULL OUT DIRECTION



SECTION X-X

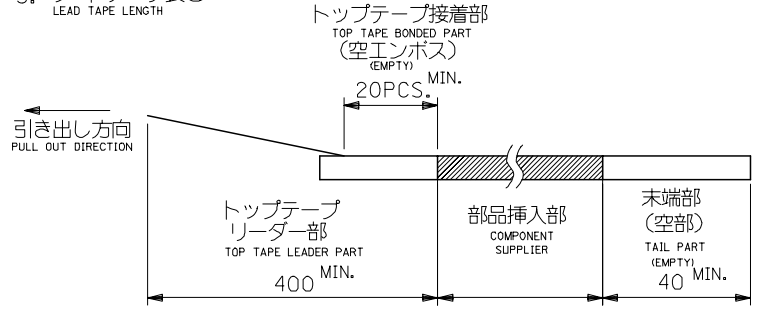
累積ピッチ: 40±0.2 4±0.1
ACCUMULATIVE PITCH



コネクタ中心
C OF CONNECTOR

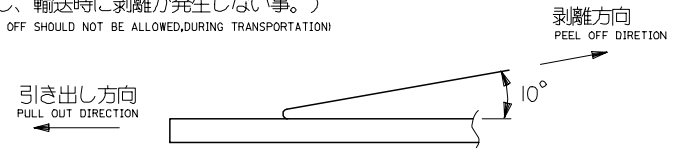
注)
NOTES

- 製品番号 55450-**** の詳細寸法については、SD-55450-010 を参照下さい。
IN THE PACKAGE, PART NO. 55450-**** DETAILED DIMENSIONS, SEE SD-55450-010.
- 梱包数量 : 880個/リール
NUMBER OF CONNECTORS : 880 PCS/REEL
- リードテープ長さ
LEAD TAPE LENGTH



- トップテープの剥離強度 (剥離方向は下図参照)
PEELING OFF FORCE OF TOP TAPE (PEELING DIRECTION AS SHOWN IN FOLLOWING FIG.)
0.1~1.3N (10~130gf)

尚、本規格値は、出荷時に適用。
THIS REQUIREMENT SHOULD BE APPLIED AT SHIPMENT
(但し、輸送時に剥離が発生しない事。)
(PEEL OFF SHOULD NOT BE ALLOWED, DURING TRANSPORTATION)



- 材料
MATERIAL
キャリアテープ : ポリプロピレン (PP)
CARRIER TAPE : POLYPROPYLENE (PP)
トップテープ : PET, PE, PEF
TOP TAPE : PET, PE, PEF
リール : ポリスチレン
REEL : POLYSTYRENE

- テープ巾32, 44mmに適用。
THIS DIMENSION SHOULD BE APPLIED AT TAPE WIDTH OF 32, 44mm
- 本製品は 55450-xx19/xx39/xx79/xx89 の鉛フリー品である。
THIS PRODUCT IS LEAD FREE OF 55450-xx19/xx39/xx79/xx89.

REVISED EC NO: J2006-1116 DRW: N. SUZUKI CHK: K. TOYODA APP: N. UKITA REV A	DESCRIPTION 2005/10/07 2005/10/11 2005/10/13	GENERAL TOLERANCES (UNLESS SPECIFIED)		DIMENSION STYLE MM ONLY		SCALE ---	DESIGN UNITS METRIC	THIRD ANGLE PROJECTION		
		10 UNDER	± ---	DRAWN BY N. AIDA	DATE '05/02/01	TITLE EMBOSSD TAPE PACKAGE FOR 55450-**** -LEAD FREE-				
		10 OVER 30 UNDER	± ---	CHECKED BY K. TOJO	DATE '05/02/01	MOLEX INCORPORATED				
		30 OVER	± ---	APPROVED BY N. UKITA	DATE '05/02/01	DOCUMENT NO. SD-55450-011				
		ANGULAR	± --- °	MATERIAL NO. SEE CHART		SHEET NO. 1 OF 3				
DRAFT WHERE APPLICABLE MUST REMAIN WITHIN DIMENSIONS		SIZE A3		THIS DRAWING CONTAINS INFORMATION THAT IS PROPRIETARY TO MOLEX INCORPORATED AND SHOULD NOT BE USED WITHOUT WRITTEN PERMISSION						

10 9 8 7 6 5 4 3 2 1

F

F

E

E

D

D

C

C

B

B

A

A

G	F	E	(D)	C	(B)	(A)	CONNECTOR	エンボス梱包品 製品番号 MATERIAL NO.	MODEL NO.	CONNECTOR	エンボス梱包品 製品番号 MATERIAL NO.	MODEL NO.	極数 CIRCUIT SIZE	量産対応 AVAILABLE				
44	3	49.4	45.4	40.4	20.2	28.95	55450-2060	55450-2069	55450-**69 ボス無し WITHOUT BOSS	55450-2050	55450-2059	55450-**59 ボス有り WITH BOSS	20	OK				
						27.7	↑	-1960		↑	-1969		↑	-1950	↑	-1959	19	NO
						26.45		-1860			-1869			-1850		-1859	18	OK
						25.2		-1760			-1769			-1750		-1759	17	NO
						23.95		-1660			-1669			-1650		-1659	16	OK
						22.7		-1560			-1569			-1550		-1559	15	OK
						21.45		-1460			-1469			-1450		-1459	14	OK
32	2	37.4	33.4	28.4	14.2	20.2		-1360		-1369			13	OK				
						18.95		-1260		-1269		-1250		-1259	12	OK		
						17.7		-1160		-1169		-1150		-1159	11	OK		
						16.45		-1060		-1069		-1050		-1059	10	OK		
24	2	29.4	25.4	11.5	7.5	15.2		-0960		-0969			9	NO				
						13.95		-0860		-0869		-0850		-0859	8	OK		
						12.7		-0760		-0769		-0750		-0759	7	OK		
						11.45		-0660		-0669		-0650		-0659	6	OK		
						10.2		-0560		-0569		-0550		-0559	5	OK		
						8.95		-0460		-0469		-0450		-0459	4	NO		
16	2	21.4	17.4	7.5	7.5	7.7		-0360		-0369			3	OK				
						6.45	55450-0260	55450-0269		55450-0250	55450-0259			2	OK			

REVISED EC NO: J2006-1116 DRW: NESUZUKI CHK: KATOYODA APP: NUKITA	2005/10/07 2005/10/11 2005/10/13	DESCRIPTION	GENERAL TOLERANCES (UNLESS SPECIFIED)		DIMENSION STYLE MM ONLY		SCALE ---	DESIGN UNITS METRIC	THIRD ANGLE PROJECTION	
			10 UNDER	± ---	DRAWN BY N. AIDA	DATE '05/02/01	TITLE EMBOSSSED TAPE PACKAGE FOR 55450-**** -LEAD FREE-			
			10 OVER 30 UNDER	± ---	CHECKED BY K. TOJO	DATE '05/02/01	MOLEX INCORPORATED			
			30 OVER	± ---	APPROVED BY N. UKITA	DATE '05/02/01	MATERIAL NO. DOCUMENT NO. SHEET NO.			
ANGULAR ± --- °		DRAFT WHERE APPLICABLE MUST REMAIN WITHIN DIMENSIONS		SEE CHART		SD-55450-011		2 OF 3		

10 9 8 7 6 5 4 3 2 1

F

E

D

C

B

A

F

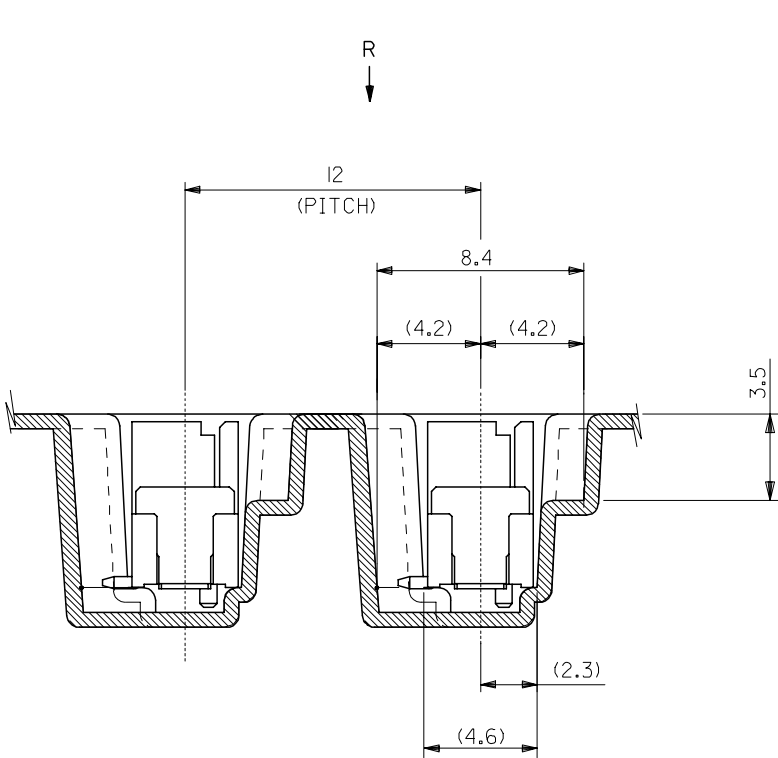
E

D

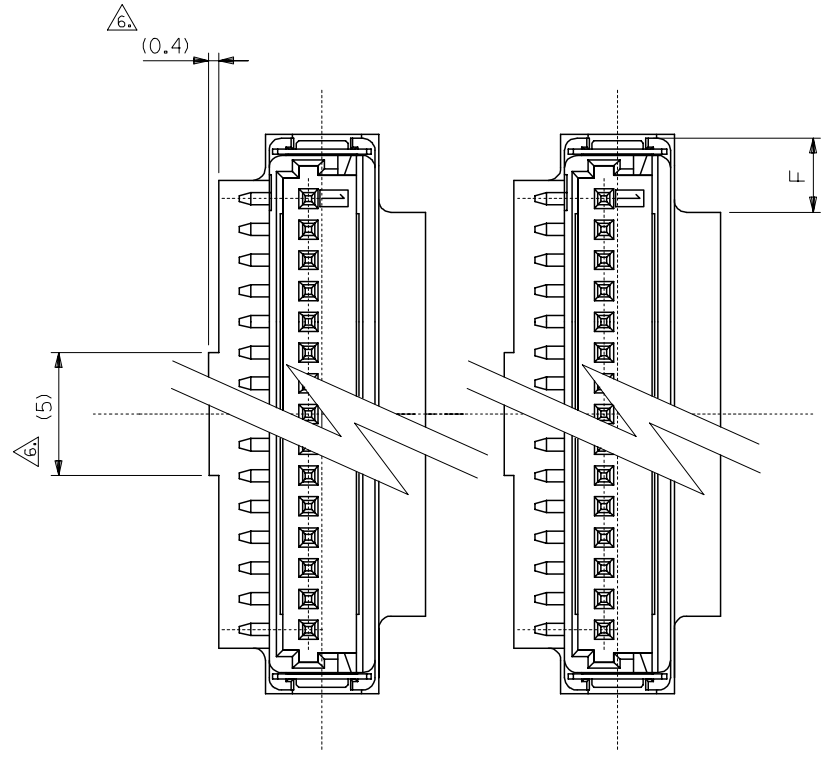
C

B

A



SECTION P-P
(5:1)



VIEW R
(5:1)

REVISED EC NO: J2006-1116 DRW: N. SUZUKI CHK: K. TOYODA APPR: N. UKITA	2005/10/07 2005/10/11 2005/10/13	GENERAL TOLERANCES (UNLESS SPECIFIED)		DIMENSION STYLE MM ONLY		SCALE 5:1	DESIGN UNITS METRIC	THIRD ANGLE PROJECTION		
		10 UNDER	± ---	DRAWN BY N. AIDA	DATE '05/02/01	TITLE EMBOSSSED TAPE PACKAGE FOR 55450-**** -LEAD FREE-				
		10 OVER 30 UNDER	± ---	CHECKED BY K. TOJO	DATE '05/02/01	MOLEX INCORPORATED DOCUMENT NO. SD-55450-011 SHEET NO. 3 OF 3				
		30 OVER	± ---	APPROVED BY N. UKITA	DATE '05/02/01					
		ANGULAR	± --- °	MATERIAL NO. SEE CHART						
DRAFT WHERE APPLICABLE MUST REMAIN WITHIN DIMENSIONS		SIZE A3		THIS DRAWING CONTAINS INFORMATION THAT IS PROPRIETARY TO MOLEX INCORPORATED AND SHOULD NOT BE USED WITHOUT WRITTEN PERMISSION						

9

8

7

6

5

4

3

2