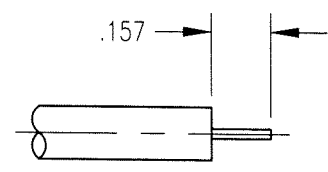
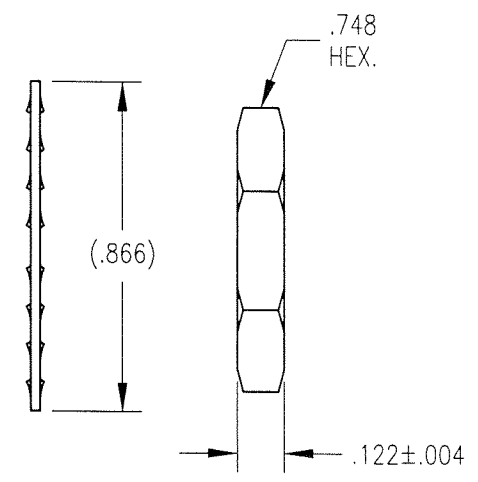
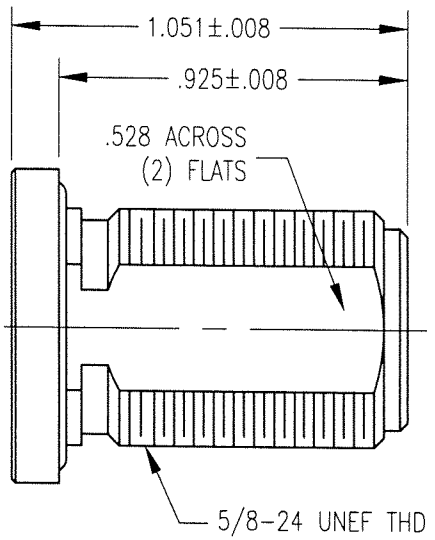
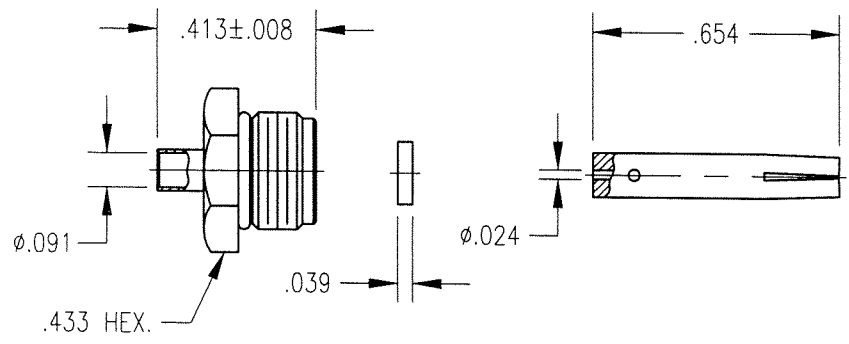
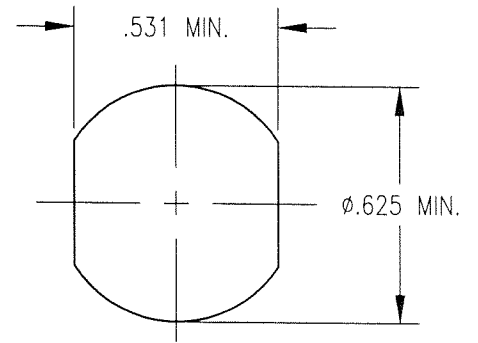


DWC NO. 601-526-0850Y			
REV	DESCRIPTION	BY DATE	APPD
A	RELEASE PER NPR 1883A	10/26/00	[Signature]



CABLE TRIMMING DIMENSIONS



MOUNTING HOLE LAYOUT

- NOTES:
- MATERIALS:
O-RING: SILICONE RUBBER
CENTER CONTACT: BERYLLIUM COPPER
ALL OTHER METAL PARTS: BRASS
INSULATOR: TEFLON
 - FINISH:
CENTER CONTACT: .000030 MIN. GOLD PLATE OVER NICKEL
ALL OTHER METAL PARTS: NICKEL PLATE
 - ELECTRICAL:
IMPEDANCE: 50 OHMS NOMINAL
 - FOR USE WITH .085 DIA. SEMI-RIGID CABLE.

PER ASME Y14.5M-1994 UNLESS OTHERWISE SPECIFIED: DIMENSIONS ARE IN INCHES OR INCHES/MM TOLERANCES: XX ± .01/0.254 XXX ± .005/0.127 ANGLES ± 2° SCALE: 2:1				Litton Winchester Electronics/RETCONN <small>400 Park Road Waterford, Connecticut 06795</small>	
CUSTOMER DRAWING		TITLE TYPE N BULKHEAD JACK		A 601-526-0850Y	
DRAWN JED	DATE 1/24/00	CHECKED JH	DATE 1/24/00	SHT. OF 1 1	REV A
APPROVED JMC	DATE 1/24/00	APPROVED KJT	DATE 1/24/00		