

PLEASE CHECK WWW.MOLEX.COM FOR LATEST PART INFORMATION

Part Number: [0709821002](#)
Status: **Active**
Overview: [tdp triad differential pair](#)
Description: LFH™ and TDP® Panel Mount Hex Screw Kit

Documents:

[Drawing \(PDF\)](#) [RoHS Certificate of Compliance \(PDF\)](#)
[Product Specification PS-70929 \(PDF\)](#)

General

Product Family	I/O Connectors
Series	70982
Application	Wire-to-Board
Comments	Includes (2) Hex Lock Screws, (4) Washers, (2) Lockwashers, (2) Nuts
Component Type	Hex Screw
Overview	tdp triad differential pair
Product Name	LFH™, TDP®
Type	N/A

Physical

Boot Color	N/A
Circuits (Loaded)	N/A
Gender	N/A
Keying to Mating Part	N/A
Lock to Mating Part	Yes
Material - Plating Mating	n/a
Orientation	N/A
PCB Retention	N/A
Packaging Type	Bag
Panel Mount	Yes
Pitch - Mating Interface (in)	0.000 In
Pitch - Mating Interface (mm)	0.00 mm
Polarized to Mating Part	N/A
Polarized to PCB	N/A
Surface Mount Compatible (SMC)	No
Termination Interface: Style	N/A
Waterproof / Dustproof	No
Wire Size AWG	N/A

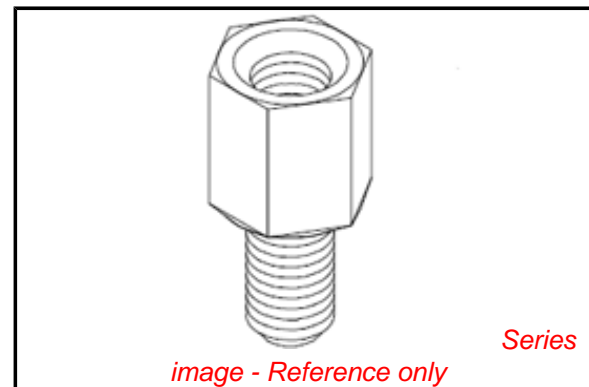
Electrical

Current - Maximum per Contact	N/A
Grounding to Panel	N/A
Voltage - Maximum	N/A

Material Info

Reference - Drawing Numbers

Application Specification	AS-70929-001
Product Specification	PS-70929
Sales Drawing	SDMS-70982-****



EU RoHS

RoHS Compliant by Exemption
REACH SVHC
 Not Reviewed
Halogen-Free
Status
Not Reviewed

China RoHS



Need more information on product environmental compliance?

Email productcompliance@molex.com
 For a multiple part number RoHS Certificate of Compliance, [click here](#)

Please visit the [Contact Us](#) section for any non-product compliance questions.

Search Parts in this Series

[70982Series](#)

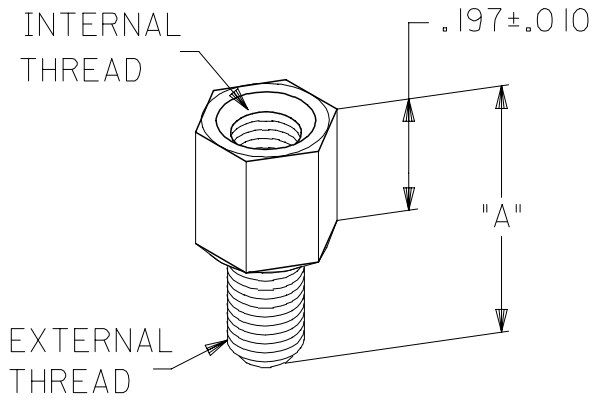
Use With

[70660](#). [70665](#) . [70928](#). [70929](#). [71624](#).
[71626](#). [71475](#). [71478](#). [71718](#). [74960](#)

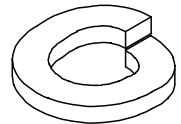
6	5	4	3	2	1
PART NUMBER	DIMINSION "A"	INTERNAL THREAD	EXTERNAL THREAD	FINISH	
70982-1002	.394±.020	4-40 UNC	M3	TIN PLATE	

NOTE:
COMPONENTS WILL BE KITTED IN PVC BAGS PER THE FOLLOWING BILL OF MATERIALS:

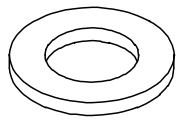
BILL OF MATERIALS		
ITEM #	QTY	DESCRIPTION
1	2	HEX. LOCK SCREW
2	4	WASHER
3	2	LOCKWASHER
4	2	NUT



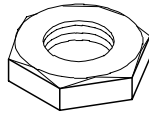
ITEM #1



ITEM #3



ITEM #2



ITEM #4

REMOVED 70982-1006
EC NO: UCP2006-2579
DRWN:MS IBARRA 2006/09/25
CHKD:BBARKER 2006/10/02
APPR:SMILLER 2006/10/03

QUALITY SYMBOLS	DESCRIPTION
▼=0	
▽=0	

DRAFT WHERE APPLICABLE MUST REMAIN WITHIN DIMENSIONS	GENERAL TOLERANCES (UNLESS SPECIFIED)	
	mm	INCH
	4 PLACES	± --- ± ---
	3 PLACES	± --- ± ---
	2 PLACES	± --- ± ---
	1 PLACE	± --- ± ---
	ANGULAR ±1/2°	

DIMENSION STYLE INCH ONLY	
DRAWN BY	DATE
MOS	1992/09/14
CHECKED BY	DATE
OSULLIVAN	1992/09/14
APPROVED BY	DATE
BIXLER	1992/09/14
MATERIAL NO. SEE TABLE	

SCALE 4:1	DESIGN UNITS INCH	THIRD ANGLE PROJECTION
TITLE 3/16 HEXAGONAL SCREWLOCK HARDWARE KIT		
MOLEX INCORPORATED		
DOCUMENT NO. SDMS-70982-****		SHEET NO. 1 OF 1
THIS DRAWING CONTAINS INFORMATION THAT IS PROPRIETARY TO MOLEX INCORPORATED AND SHOULD NOT BE USED WITHOUT WRITTEN PERMISSION		