

**PLEASE CHECK WWW.MOLEX.COM FOR LATEST PART INFORMATION**

**Part Number:** [0713491045](#)  
**Status:** **Active**  
**Overview:** [cgrid\\_sl\\_products](#)  
**Description:** 2.54mm (.100") Pitch C-Grid® Header, Surface Mount, Dual Row, Vertical, Shrouded, 26 Circuits, 0.38µm (15µ") Gold (Au) Selective Plating, without Press-fit Plastic Pegs

**Documents:**

[3D Model](#) [Product Specification PS-71349-001 \(PDF\)](#)  
[Drawing \(PDF\)](#) [RoHS Certificate of Compliance \(PDF\)](#)

**General**

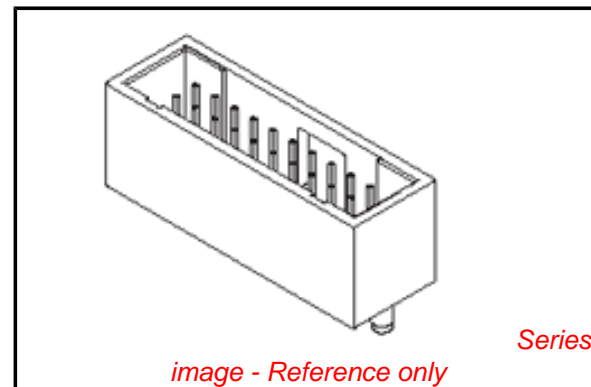
Product Family PCB Headers  
 Series [71349](#)  
 Application Wire-to-Board  
 Overview [cgrid\\_sl\\_products](#)  
 Product Name C-Grid®

**Physical**

Breakaway No  
 Circuits (Loaded) 26  
 Color - Resin Black  
 Durability (mating cycles max) 50  
 First Mate / Last Break No  
 Glow-Wire Compliant No  
 Guide to Mating Part No  
 Keying to Mating Part None  
 Lock to Mating Part Yes  
 Material - Metal Brass, Phosphor Bronze  
 Material - Plating Mating Gold  
 Material - Plating Termination Tin  
 Material - Resin High Temperature Thermoplastic  
 Number of Rows 2  
 Orientation Vertical  
 PC Tail Length (in) 0.000 In  
 PC Tail Length (mm) 0.00 mm  
 PCB Locator No  
 PCB Retention None  
 PCB Thickness Recommended (in) 0.000 In  
 PCB Thickness Recommended (mm) 0.00 mm  
 Packaging Type Tube  
 Pitch - Mating Interface (in) 0.100 In  
 Pitch - Mating Interface (mm) 2.54 mm  
 Plating min: Mating (µin) 15  
 Plating min: Mating (µm) 0.375  
 Plating min: Termination (µin) 75  
 Plating min: Termination (µm) 1.875  
 Polarized to Mating Part Yes  
 Shrouded Fully  
 Stackable No  
 Temperature Range - Operating -40°C to +105°C  
 Termination Interface: Style Surface Mount

**Electrical**

Current - Maximum per Contact 3A  
 Voltage - Maximum 250V



**EU RoHS**

**ELV and RoHS Compliant**  
**REACH SVHC**  
 Not Reviewed  
**Halogen-Free Status**  
 Not Reviewed

**China RoHS**



**Need more information on product environmental compliance?**

Email [productcompliance@molex.com](mailto:productcompliance@molex.com)  
 For a multiple part number RoHS Certificate of Compliance, [click here](#)

Please visit the [Contact Us](#) section for any non-product compliance questions.

**Search Parts in this Series**

[71349Series](#)

**Mates With**

[70013 Interim Clip](#), [70450a Crimp Housing](#), [71850 Through-hole Receptacle](#), [71395 SMT Receptacle](#)

**Solder Process Data**

|  |                           |
|--|---------------------------|
| Duration at Max. Process Temperature (seconds) | 30                        |
| Lead-free Process Capability                   | Reflow Capable (SMT only) |
| Max. Cycles at Max. Process Temperature        | 3                         |
| Process Temperature max. C                     | 245                       |

**Material Info****Reference - Drawing Numbers**

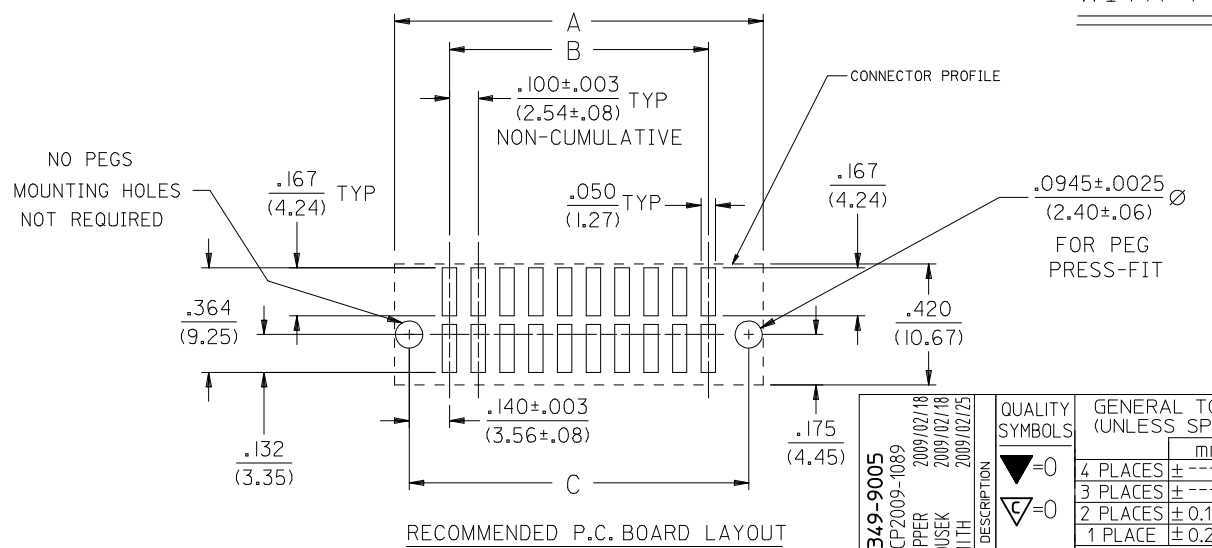
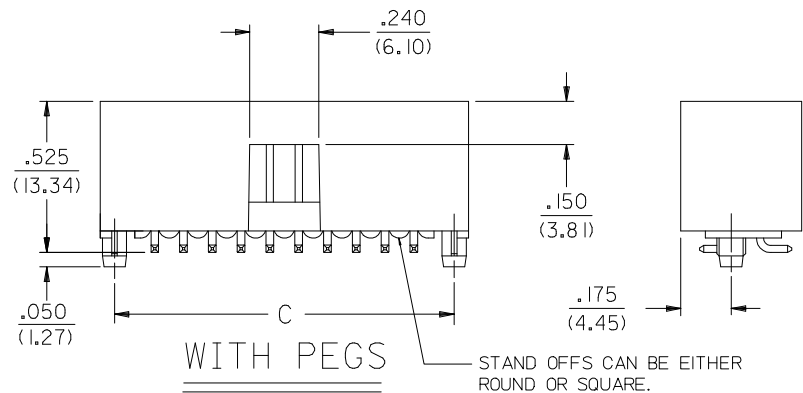
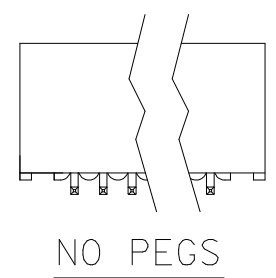
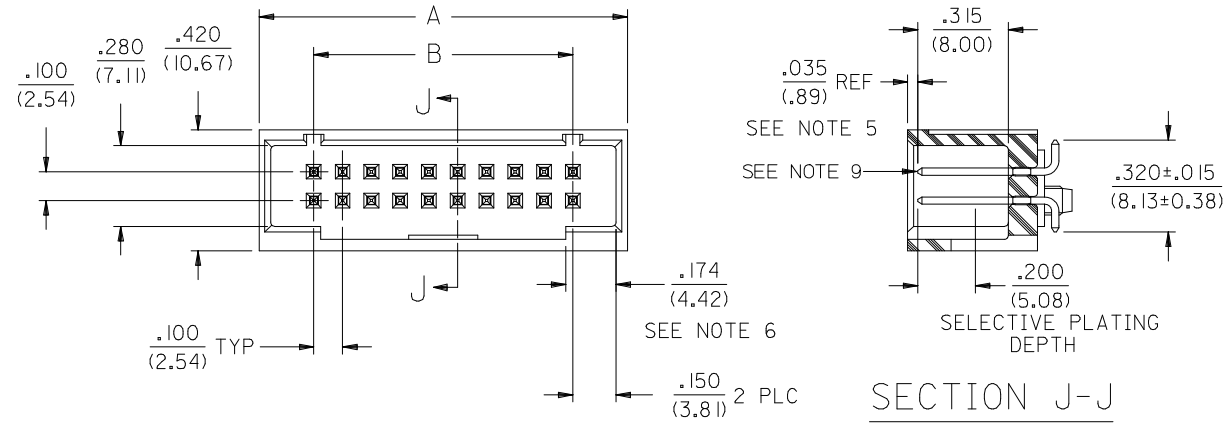
|                         |                |
|-------------------------|----------------|
| Packaging Specification | PK-70873-0018  |
| Product Specification   | PS-71349-001   |
| Sales Drawing           | SDA-71349-**** |

This document was generated on 05/31/2010

**PLEASE CHECK [WWW.MOLEX.COM](http://WWW.MOLEX.COM) FOR LATEST PART INFORMATION**

**NOTES:**

- 1- MATERIALS:  
SHROUDED WAFER: LCP, COLOR: BLACK, 94V-0  
PINS: COPPER ALLOY.
- 2- PLATING FINISHES FOR PINS:  
TIN: .000150 MINIMUM TIN OVER  
.000050 MINIMUM NICKEL.
- 15 GOLD: .000015 MINIMUM GOLD PLATE IN SELECTED AREA AND  
.000075 MINIMUM TIN IN SELECTED AREA  
OVER .000050 MINIMUM NICKEL OVER-ALL.
- 30 GOLD: .000030 MINIMUM GOLD PLATE IN SELECTED AREA AND  
.000075 MINIMUM TIN IN SELECTED AREA  
OVER .000050 MINIMUM NICKEL OVER-ALL.
- 3- PRODUCT CONFORMS TO PS-71349-001.
- 4- SEE SHEETS 3 AND 4 FOR PACKAGING DETAILS.
- 5- ROW TO ROW PIN HEIGHT VARIATION MUST NOT EXCEED  
.005/(0.13).
- 6- THIS SHOULDER IS .125/(3.18) FOR 6 CIRCUIT ONLY.  
.174/(4.42) FOR ALL OTHER CIRCUIT SIZES.
- 7- 20 CIRCUIT SIZE SHOWN FOR ILLUSTRATION PURPOSES.
- 8- PIN SMT TAILS MUST MEET SOLDERABILITY PER  
MIL-STD-202, METHOD 208B.
- 9- PIN PUSHOUT FORCE 4 LBS/(17.79N) MINIMUM  
IN THE DIRECTION INDICATED.
- 10- PRODUCT MATES TO 70013B (6 TO 50 CKTS).
- 11- PARTS CONFORM TO CLASS B REQUIREMENTS OF  
COSMETIC SPECIFICATION PS-45499-002



NOTE FOR LEAD FREE CONVERSION:  
THE PRIMARY SHIPPING CARTON WILL BE LABELED "COMPLIANT TO RoHS  
DIRECTIVE 2002/95/EC AND ELV ANNEX II OF DIRECTIVE 2000/53/EC".  
CARTONS WITHOUT THIS LABEL MAY CONTAIN PRODUCT WITH LEAD.

|     |     |
|-----|-----|
| 4   | I2  |
| 3   | J1  |
| 2   | C   |
| 1   | J1  |
| SHT | REV |

| ADD 71349-9005<br>EC NO: UCP2009-1089<br>DRWN:MKIPPER 2009/02/18<br>CHKD:SSOUSEK 2009/02/18<br>APPR:FSMLTH 2009/02/25 | QUALITY SYMBOLS<br>▽=0<br>▽=0  | GENERAL TOLERANCES (UNLESS SPECIFIED)<br><table border="1"> <tr> <th></th> <th>mm</th> <th>INCH</th> </tr> <tr> <td>4 PLACES ±</td> <td>---</td> <td>---</td> </tr> <tr> <td>3 PLACES ±</td> <td>---</td> <td>±.005</td> </tr> <tr> <td>2 PLACES ±</td> <td>0.13</td> <td>±.01</td> </tr> <tr> <td>1 PLACE ±</td> <td>0.25</td> <td>±---</td> </tr> </table> ANGULAR ±1/2° |                    | mm                 | INCH               | 4 PLACES ±   | --- | --- | 3 PLACES ± | --- | ±.005 | 2 PLACES ± | 0.13 | ±.01 | 1 PLACE ± | 0.25 | ±--- | DIMENSION STYLE<br>IN/MM | SCALE<br>3:1 | DESIGN UNITS<br>INCH | THIRD ANGLE PROJECTION |
|---|--------------------------------|--|--------------------|--------------------|--------------------|--|-----|-----|------------|-----|-------|------------|------|------|-----------|------|------|--------------------------|--------------|----------------------|------------------------|
|   |                                | mm   | INCH               |                    |                    |  |     |     |            |     |       |            |      |      |           |      |      |                          |              |                      |                        |
|   | 4 PLACES ±                     | ---  | ---                |                    |                    |  |     |     |            |     |       |            |      |      |           |      |      |                          |              |                      |                        |
|   | 3 PLACES ±                     | ---  | ±.005              |                    |                    |  |     |     |            |     |       |            |      |      |           |      |      |                          |              |                      |                        |
| 2 PLACES ±  | 0.13                           | ±.01   |                    |                    |                    |  |     |     |            |     |       |            |      |      |           |      |      |                          |              |                      |                        |
| 1 PLACE ±   | 0.25                           | ±---   |                    |                    |                    |  |     |     |            |     |       |            |      |      |           |      |      |                          |              |                      |                        |
| DRAWN BY<br>RB  | DATE<br>10/26/1992             | CHECKED BY<br>DJB  | DATE<br>10/26/1992 | APPROVED BY<br>DJB | DATE<br>10/26/1992 | TITLE<br>SALES ASSY, WAFER-4 SIDES SHROUDED, HIGH TEMP, SMT POLAR SLOTS, .100 GRID |     |     |            |     |       |            |      |      |           |      |      |                          |              |                      |                        |
| MATERIAL NO.<br>SEE TABLE   | DOCUMENT NO.<br>SDA-71349-**** | SHEET NO.<br>1 OF 4  | MOLEX INCORPORATED |                    |                    |  |     |     |            |     |       |            |      |      |           |      |      |                          |              |                      |                        |
| DRAFT WHERE APPLICABLE MUST REMAIN WITHIN DIMENSIONS  |                                |  |                    |                    |                    |  |     |     |            |     |       |            |      |      |           |      |      |                          |              |                      |                        |

| NO. OF CKTS | "A"           |            | "B"           |            | "C"           |            |
|-------------|---------------|------------|---------------|------------|---------------|------------|
|             | INCH<br>±.005 | MM<br>±.13 | INCH<br>±.003 | MM<br>±.08 | INCH<br>±.003 | MM<br>±.08 |
| 06          | .580          | 14.73      | .200          | 5.08       | .480          | 12.19      |
| 08          | .680          | 17.27      | .300          | 7.62       | .580          | 14.73      |
| 10          | .780          | 19.81      | .400          | 10.16      | .680          | 17.27      |
| 12          | .880          | 22.35      | .500          | 12.70      | .780          | 19.81      |
| 14          | .980          | 24.89      | .600          | 15.24      | .880          | 22.35      |
| 16          | 1.080         | 27.43      | .700          | 17.78      | .980          | 24.89      |
| 18          | 1.180         | 29.97      | .800          | 20.32      | 1.080         | 27.43      |
| 20          | 1.280         | 32.51      | .900          | 22.86      | 1.180         | 29.97      |
| 22          | 1.380         | 35.05      | 1.000         | 25.40      | 1.280         | 32.51      |
| 24          | 1.480         | 37.59      | 1.100         | 27.94      | 1.380         | 35.05      |
| 26          | 1.580         | 40.13      | 1.200         | 30.48      | 1.480         | 37.59      |
| 28          | 1.680         | 42.67      | 1.300         | 33.02      | 1.580         | 40.13      |
| 30          | 1.780         | 45.21      | 1.400         | 35.56      | 1.680         | 42.67      |
| 32          | 1.880         | 47.75      | 1.500         | 38.10      | 1.780         | 45.21      |
| 34          | 1.980         | 50.29      | 1.600         | 40.64      | 1.880         | 47.75      |
| 36          | 2.080         | 52.83      | 1.700         | 43.18      | 1.980         | 50.29      |
| 38          | 2.180         | 55.37      | 1.800         | 45.72      | 2.080         | 52.83      |
| 40          | 2.280         | 57.91      | 1.900         | 48.26      | 2.180         | 55.37      |
| 42          | 2.380         | 60.45      | 2.000         | 50.80      | 2.280         | 57.91      |
| 44          | 2.480         | 62.99      | 2.100         | 53.34      | 2.380         | 60.45      |
| 46          | 2.580         | 65.53      | 2.200         | 55.88      | 2.480         | 62.99      |
| 48          | 2.680         | 68.07      | 2.300         | 58.42      | 2.580         | 65.53      |
| 50          | 2.780         | 70.61      | 2.400         | 60.96      | 2.680         | 68.07      |
| 52          | 2.880         | 73.15      | 2.500         | 63.50      | 2.780         | 70.61      |
| 54          | 2.980         | 75.69      | 2.600         | 66.04      | 2.880         | 73.15      |
| 56          | 3.080         | 78.23      | 2.700         | 68.58      | 2.980         | 75.69      |
| 58          | 3.180         | 80.77      | 2.800         | 71.12      | 3.080         | 78.23      |
| 60          | 3.280         | 83.31      | 2.900         | 73.66      | 3.180         | 80.77      |
| 62          | 3.380         | 85.85      | 3.000         | 76.20      | 3.280         | 83.31      |
| 64          | 3.480         | 88.39      | 3.100         | 78.74      | 3.380         | 85.85      |
| 66          | 3.580         | 90.93      | 3.200         | 81.28      | 3.480         | 88.39      |
| 68          | 3.680         | 93.47      | 3.300         | 83.82      | 3.580         | 90.93      |
| 70          | 3.780         | 96.01      | 3.400         | 86.36      | 3.680         | 93.47      |
| 72          | 3.880         | 98.55      | 3.500         | 88.90      | 3.780         | 96.01      |

|   |             |
|---|-------------|
| C | SEE SHEET 1 |
| B | SEE SHEET 1 |
| A | SEE SHEET 1 |

| MFG. | SH. | REV. | LTR. | REVISIONS |
|------|-----|------|------|-----------|
|      |     |      |      |           |

DIMENSIONS SHOWN (METRIC) INCH  
UNLESS OTHERWISE SPECIFIED  
TOLERANCES: ANGULAR ± 1/2°

|         | INCH | METRIC |
|---------|------|--------|
| 3 PLACE | ± -- | --     |
| 2 PLACE | ± -- | ± --   |
| 1 PLACE | --   | ± --   |

DRAFT WHERE APPLICABLE MUST  
REMAIN WITHIN DIMENSIONS

DRWG. BY: WGM    CHK'D. BY: DJB  
APP'D. BY: DJB    SCALE: N : A

▽ = 0    ▽ = 0    REVISE ONLY ON CAD SYSTEM

TITLE: WAFER-4 SIDES SHROUDED,  
HIGH TEMP, .150 END WALL, POLAR  
SLOTS, .100 GRID, SURFACE MOUNT

moLEX MOLEX INCORPORATED    SHEET NO. 2    DATE 6/10/96  
LISLE, ILL. 60532    U.S.A.

PART NO.    DRWG. NO.    SEE CHART    SDA-71349-\*\*\*\*

FILE NAME: S71349X2    THIS DRAWING CONTAINS INFORMATION THAT IS PROPRIETARY TO MOLEX INC. AND SHOULD NOT BE USED WITHOUT WRITTEN PERMISSION.    DIV. DA    SIZE C

71349

| WITH PEGS      |                        |                             |                        |                             |                        |                             | WITHOUT PEGS   |                        |                             |                        |                             |                        |                             |
|----------------|------------------------|-----------------------------|------------------------|-----------------------------|------------------------|-----------------------------|----------------|------------------------|-----------------------------|------------------------|-----------------------------|------------------------|-----------------------------|
| PLATING        | TIN                    |                             | 15 GOLD                |                             | 30 GOLD                |                             | PLATING        | TIN                    |                             | 15 GOLD                |                             | 30 GOLD                |                             |
| PACKAGING      | TUBES<br>PK-70873-0019 | TAPE & REEL<br>PK-71349-001 | TUBES<br>PK-70873-0019 | TAPE & REEL<br>PK-71349-001 | TUBES<br>PK-70873-0019 | TAPE & REEL<br>PK-71349-001 | PACKAGING      | TUBES<br>PK-70873-0018 | TAPE & REEL<br>PK-71349-001 | TUBES<br>PK-70873-0018 | TAPE & REEL<br>PK-71349-001 | TUBES<br>PK-70873-0018 | TAPE & REEL<br>PK-71349-001 |
| NO. OF<br>CKTS | ASSEMBLY<br>ITEM NO.   |                             | ASSEMBLY<br>ITEM NO.   |                             | ASSEMBLY<br>ITEM NO.   | ASSEMBLY<br>ITEM NO.        | NO. OF<br>CKTS | ASSEMBLY<br>ITEM NO.   | ASSEMBLY<br>ITEM NO.        | ASSEMBLY<br>ITEM NO.   | ASSEMBLY<br>ITEM NO.        | ASSEMBLY<br>ITEM NO.   | ASSEMBLY<br>ITEM NO.        |
| 06             | 71349-2001             |                             | 71349-2035             |                             | 71349-2069             |                             | 06             | 71349-1001             |                             | 71349-1035             |                             | 71349-1069             |                             |
| 08             | 71349-2002             |                             | 71349-2036             |                             | 71349-2070             |                             | 08             | 71349-1002             | 71349-9002                  | 71349-1036             | 71349-0036                  | 71349-1070             | 71349-5036                  |
| 10             | 71349-2003             | 71349-6003                  | 71349-2037             | 71349-8037                  | 71349-2071             | 71349-4071                  | 10             | 71349-1003             | 71349-9003                  | 71349-1037             | 71349-0037                  | 71349-1071             | 71349-5037                  |
| 12             | 71349-2004             |                             | 71349-2038             |                             | 71349-2072             |                             | 12             | 71349-1004             |                             | 71349-1038             |                             | 71349-1072             |                             |
| 14             | 71349-2005             |                             | 71349-2039             |                             | 71349-2073             |                             | 14             | 71349-1005             | 71349-9005                  | 71349-1039             |                             | 71349-1073             |                             |
| 16             | 71349-2006             |                             | 71349-2040             |                             | 71349-2074             |                             | 16             | 71349-1006             |                             | 71349-1040             | 71349-0040                  | 71349-1074             |                             |
| 18             | 71349-2007             |                             | 71349-2041             |                             | 71349-2075             |                             | 18             | 71349-1007             |                             | 71349-1041             |                             | 71349-1075             |                             |
| 20             | 71349-2008             | 71349-6008                  | 71349-2042             | 71349-8042                  | 71349-2076             | 71349-4076                  | 20             | 71349-1008             | 71349-9008                  | 71349-1042             | 71349-0042                  | 71349-1076             | 71349-5042                  |
| 22             | 71349-2009             |                             | 71349-2043             |                             | 71349-2077             |                             | 22             | 71349-1009             |                             | 71349-1043             |                             | 71349-1077             |                             |
| 24             | 71349-2010             |                             | 71349-2044             |                             | 71349-2078             |                             | 24             | 71349-1010             |                             | 71349-1044             |                             | 71349-1078             |                             |
| 26             | 71349-2011             |                             | 71349-2045             |                             | 71349-2079             |                             | 26             | 71349-1011             |                             | 71349-1045             |                             | 71349-1079             |                             |
| 28             | 71349-2012             |                             | 71349-2046             |                             | 71349-2080             |                             | 28             | 71349-1012             |                             | 71349-1046             |                             | 71349-1080             |                             |
| 30             | 71349-2013             |                             | 71349-2047             |                             | 71349-2081             |                             | 30             | 71349-1013             |                             | 71349-1047             |                             | 71349-1081             |                             |
| 32             | 71349-2014             |                             | 71349-2048             |                             | 71349-2082             |                             | 32             | 71349-1014             |                             | 71349-1048             |                             | 71349-1082             |                             |
| 34             | 71349-2015             |                             | 71349-2049             |                             | 71349-2083             |                             | 34             | 71349-1015             |                             | 71349-1049             |                             | 71349-1083             |                             |
| 36             | 71349-2016             |                             | 71349-2050             |                             | 71349-2084             |                             | 36             | 71349-1016             |                             | 71349-1050             |                             | 71349-1084             |                             |
| 38             | 71349-2017             |                             | 71349-2051             |                             | 71349-2085             |                             | 38             | 71349-1017             |                             | 71349-1051             |                             | 71349-1085             |                             |
| 40             | 71349-2018             |                             | 71349-2052             |                             | 71349-2086             |                             | 40             | 71349-1018             |                             | 71349-1052             |                             | 71349-1086             |                             |
| 42             | 71349-2019             |                             | 71349-2053             |                             | 71349-2087             |                             | 42             | 71349-1019             |                             | 71349-1053             |                             | 71349-1087             |                             |
| 44             | 71349-2020             |                             | 71349-2054             |                             | 71349-2088             |                             | 44             | 71349-1020             |                             | 71349-1054             |                             | 71349-1088             |                             |
| 46             | 71349-2021             |                             | 71349-2055             |                             | 71349-2089             |                             | 46             | 71349-1021             |                             | 71349-1055             |                             | 71349-1089             |                             |
| 48             | 71349-2022             |                             | 71349-2056             |                             | 71349-2090             |                             | 48             | 71349-1022             |                             | 71349-1056             |                             | 71349-1090             |                             |
| 50             | 71349-2023             | 71349-6023                  | 71349-2057             | 71349-8057                  | 71349-2091             | 71349-4091                  | 50             | 71349-1023             | 71349-9023                  | 71349-1057             | 71349-0057                  | 71349-1091             | 71349-5057                  |
| 52             | 71349-2024             |                             | 71349-2058             |                             | 71349-2092             |                             | 52             | 71349-1024             |                             | 71349-1058             |                             | 71349-1092             |                             |
| 54             | 71349-2025             |                             | 71349-2059             |                             | 71349-2093             |                             | 54             | 71349-1025             |                             | 71349-1059             |                             | 71349-1093             |                             |
| 56             | 71349-2026             |                             | 71349-2060             |                             | 71349-2094             |                             | 56             | 71349-1026             |                             | 71349-1060             |                             | 71349-1094             |                             |
| 58             | 71349-2027             |                             | 71349-2061             |                             | 71349-2095             |                             | 58             | 71349-1027             |                             | 71349-1061             |                             | 71349-1095             |                             |
| 60             | 71349-2028             |                             | 71349-2062             |                             | 71349-2096             |                             | 60             | 71349-1028             |                             | 71349-1062             |                             | 71349-1096             |                             |
| 62             | 71349-2029             |                             | 71349-2063             |                             | 71349-2097             |                             | 62             | 71349-1029             |                             | 71349-1063             |                             | 71349-1097             |                             |
| 64             | 71349-2030             |                             | 71349-2064             |                             | 71349-2098             |                             | 64             | 71349-1030             |                             | 71349-1064             |                             | 71349-1098             |                             |
| 66             | 71349-2031             |                             | 71349-2065             |                             | 71349-2099             |                             | 66             | 71349-1031             |                             | 71349-1065             |                             | 71349-1099             |                             |
| 68             | 71349-2032             |                             | 71349-2066             |                             | 71349-2100             |                             | 68             | 71349-1032             |                             | 71349-1066             |                             | 71349-1100             |                             |
| 70             | 71349-2033             |                             | 71349-2067             |                             | 71349-2101             |                             | 70             | 71349-1033             |                             | 71349-1067             |                             | 71349-1101             |                             |
| 72             | 71349-2034             |                             | 71349-2068             |                             | 71349-2102             |                             | 72             | 71349-1034             |                             | 71349-1068             |                             | 71349-1102             |                             |

| <b>ADD 71349-9005</b><br>EC NO: UCP2009-1089<br>DRAWN/KIPPER 2009/02/18<br>CHKD:SSOUSEK 2009/02/18<br>APPR:FSMLTH 2009/02/25<br>REV: J1 | QUALITY SYMBOLS<br>▽=0<br>▽=0 | GENERAL TOLERANCES (UNLESS SPECIFIED)<br><table border="1"> <tr><th></th><th>mm</th><th>INCH</th></tr> <tr><td>4 PLACES</td><td>± ---</td><td>± ---</td></tr> <tr><td>3 PLACES</td><td>± ---</td><td>± ---</td></tr> <tr><td>2 PLACES</td><td>± ---</td><td>± ---</td></tr> <tr><td>1 PLACE</td><td>± ---</td><td>± ---</td></tr> </table> |       | mm | INCH | 4 PLACES | ± --- | ± --- | 3 PLACES | ± --- | ± --- | 2 PLACES | ± --- | ± --- | 1 PLACE | ± --- | ± --- | DIMENSION STYLE<br><b>IN/MM</b><br>DRAWN BY DATE<br>MGM 06/10/1996<br>CHECKED BY DATE<br>DJB 06/10/1996<br>APPROVED BY DATE<br>DJB 06/10/1996 | SCALE<br>---<br>DESIGN UNITS<br><b>INCH</b><br>THIRD ANGLE PROJECTION | TITLE<br><b>SALES ASSY,4-SIDES SHROUDED, HIGH TEMP, SMT POLAR SLOTS, .150 GRID</b><br><b>MOLEX INCORPORATED</b> | MATERIAL NO.<br><b>SEE TABLE</b><br>DOCUMENT NO.<br><b>SDA-71349-****</b><br>SHEET NO.<br><b>3 OF 4</b> |
|---|-------------------------------|--|-------|----|------|----------|-------|-------|----------|-------|-------|----------|-------|-------|---------|-------|-------|---|---|---|---|
|   |                               | mm   | INCH  |    |      |          |       |       |          |       |       |          |       |       |         |       |       |   |   |   |   |
|   | 4 PLACES                      | ± ---  | ± --- |    |      |          |       |       |          |       |       |          |       |       |         |       |       |   |   |   |   |
|   | 3 PLACES                      | ± ---  | ± --- |    |      |          |       |       |          |       |       |          |       |       |         |       |       |   |   |   |   |
|   | 2 PLACES                      | ± ---  | ± --- |    |      |          |       |       |          |       |       |          |       |       |         |       |       |   |   |   |   |
| 1 PLACE   | ± ---                         | ± ---  |       |    |      |          |       |       |          |       |       |          |       |       |         |       |       |   |   |   |   |
| DRAFT WHERE APPLICABLE MUST REMAIN WITHIN DIMENSIONS  |                               | THIS DRAWING CONTAINS INFORMATION THAT IS PROPRIETARY TO MOLEX INCORPORATED AND SHOULD NOT BE USED WITHOUT WRITTEN PERMISSION  |       |    |      |          |       |       |          |       |       |          |       |       |         |       |       |   |   |   |   |