

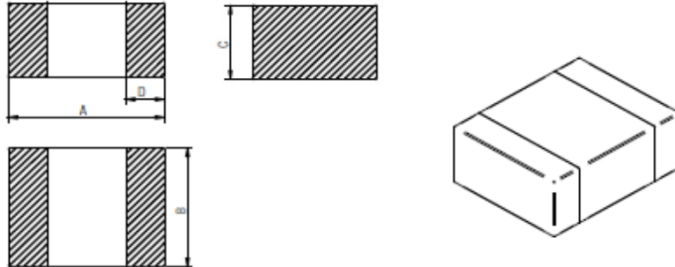
Spezifikation für Freigabe / specification for release

Kunde / customer :
 Artikelnummer / part number : **74479776222**
 Bezeichnung : **SMD-Powerinduktivität WE-PMI**
 description : **SMD-power inductance WE-PMI**



DATUM / DATE : 2010-10-22

A Mechanische Abmessungen / dimensions:

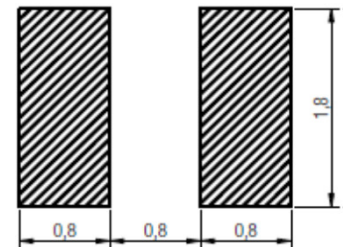


| Größe / size 0806 | | |
|-------------------|------------------|----|
| A | 2,0 ± 0,2 | mm |
| B | 1,6 ± 0,2 | mm |
| C | 1,0 (max) | mm |
| D | 0,5 ± 0,2 | mm |
| | | |
| | | |
| | | |
| | | |

B Elektrische Eigenschaften / electrical properties:

| Eigenschaften / properties | Testbedingungen / test conditions | | Wert / value | Einheit / unit | tol. |
|--|-----------------------------------|------------------|--------------|----------------|-------------|
| Induktivität / inductance | 1 MHz | L | 2,2 | μH | ±20% |
| Güte Q / Q factor | 1 MHz | Q | 10 | | min. |
| DC-Widerstand / DC-resistance | @ 20°C | R _{DC} | 110 | mΩ | ±30% |
| Eigenres.-Frequenz / self-res.-frequency | | f _{res} | 75 | MHz | min. |
| Nennstrom / rated current | ΔT=20 K | I _{DC} | 900 | mA | typ. |
| Nennstrom / rated current | ΔT=40 K | I _{DC} | 1200 | mA | typ. |
| Sättigungsstrom / saturation current | \ΔL/L <30% | I _{sat} | 400 | mA | typ. |

C Lötpad / soldering spec.:



D Prüfgeräte / test equipment:

Agilent E4991 A für/for L und/and Q und/and SRF
GMC Metrahit 27i für/for R_{DC}
WK3260B für/for I_{sat}
Agilent 6032 für/for I_{DC}

E Testbedingungen / test conditions:

Luftfeuchtigkeit / humidity: 33%
 Umgebungstemperatur / temperature: +20 °C

F Werkstoffe & Zulassungen / material & approvals:

Basismaterial / base material: Ferrit / ferrite

G Eigenschaften / general specifications:

Betriebstemp. / operating temperature: -40°C - + 125°C
 Umgebungstemp. / ambient temperature: -40°C - + 85°C
 It is recommended that the temperature of the part does not exceed 125°C under worst case operating conditions.

| | | | | |
|-------------------------------------|-------------------------|--------------------------|--------------------------------|--------------|
| Freigabe erteilt / general release: | Kunde / customer | | | |
| | | | | |
| | Datum / date | Unterschrift / signature | | |
| | | | | |
| | Würth Elektronik | DDi | Version 3 | 12-01-16 |
| | | DDi | Version 2 | 11-04-19 |
| | | MLe | Version 1 | 10-10-22 |
| | | Name | Änderung / modification | Datum / date |
| Geprüft / checked | | Kontrolliert / approved | | |

Würth Elektronik eiSos GmbH & Co. KG

D-74638 Waldenburg · Max-Eyth-Strasse 1 - 3 · Germany · Telefon (+49) (0) 7942 - 945 - 0 · Telefax (+49) (0) 7942 - 945 - 400
<http://www.we-online.com>

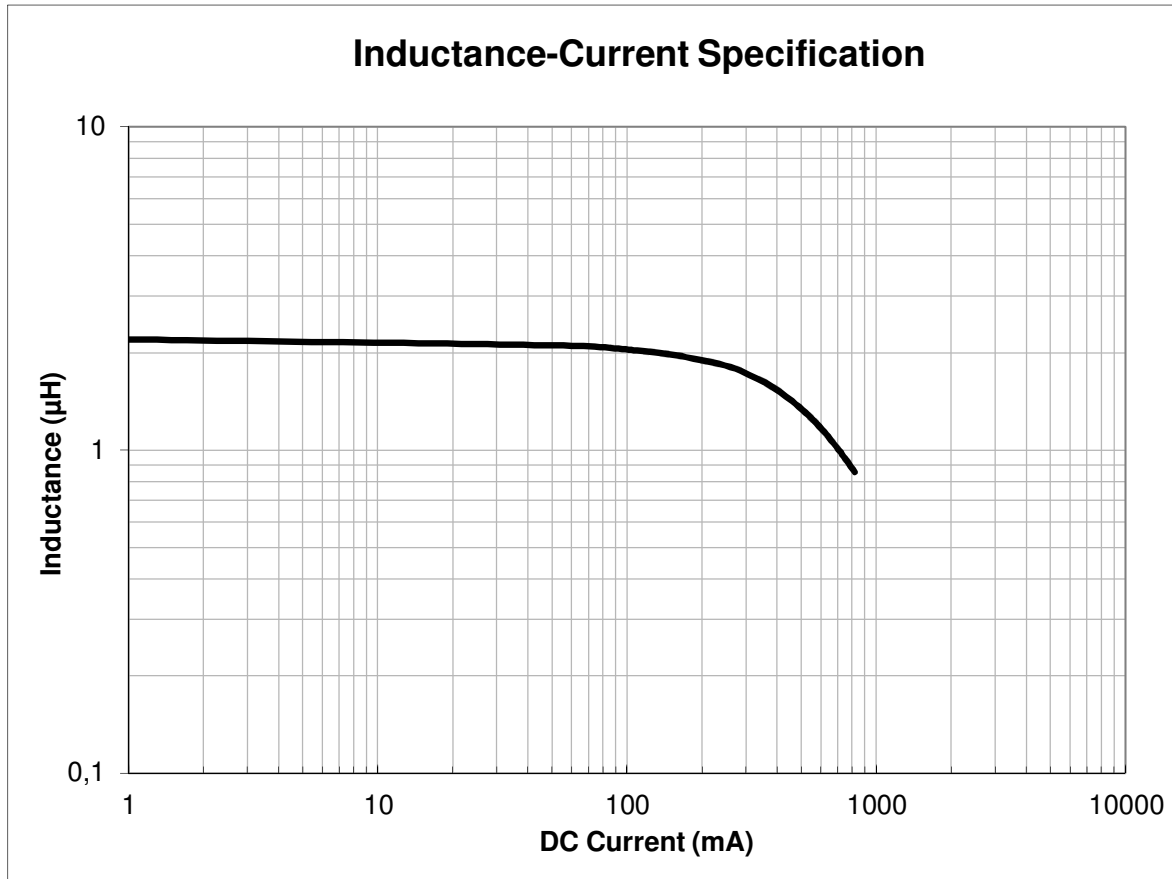
Spezifikation für Freigabe / specification for release

Kunde / customer :
 Artikelnummer / part number : **74479776222**
 Bezeichnung : **SMD-Powerinduktivität WE-PMI**
 description : **SMD-power inductance WE-PMI**



DATUM / DATE : 2010-10-22

H Induktivitätskurve / Inductance curve :



| | | | | |
|-------------------------------------|--------------------------|------|-------------------------|--------------|
| Freigabe erteilt / general release: | Kunde / customer | | | |
| | | | | |
| Datum / date | Unterschrift / signature | | | |
| | Würth Elektronik | DDi | Version 3 | 12-01-16 |
| | | DDi | Version 2 | 11-04-19 |
| | | MLe | Version 1 | 10-10-22 |
| Geprüft / checked | Kontrolliert / approved | Name | Änderung / modification | Datum / date |

Würth Elektronik eiSos GmbH & Co. KG

D-74638 Waldenburg · Max-Eyth-Strasse 1 - 3 · Germany · Telefon (+49) (0) 7942 - 945 - 0 · Telefax (+49) (0) 7942 - 945 - 400
<http://www.we-online.com>

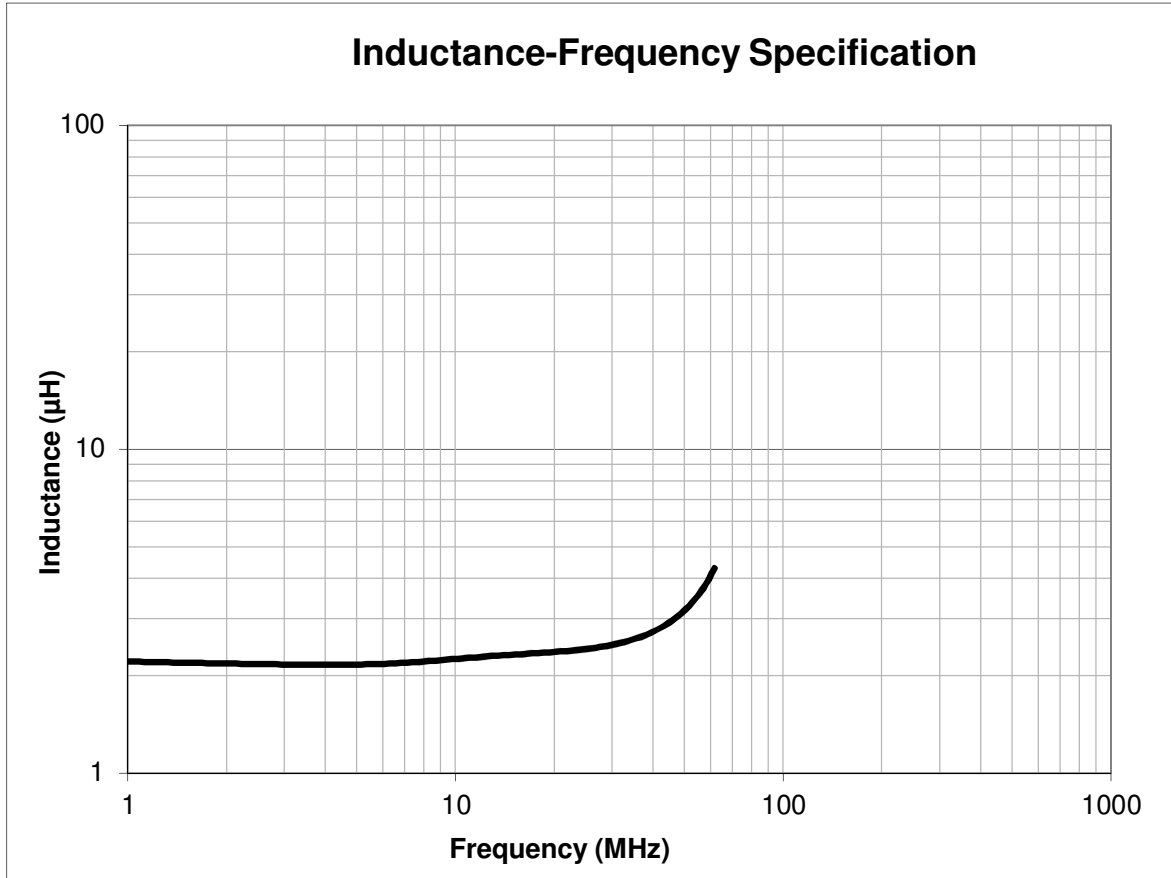
Spezifikation für Freigabe / specification for release

Kunde / customer :
 Artikelnummer / part number : **74479776222**
 Bezeichnung : **SMD-Powerinduktivität WE-PMI**
 description : **SMD-power inductance WE-PMI**



DATUM / DATE : 2010-10-22

I Induktivitätskurve / Inductance curve :



| | | | | |
|-------------------------------------|--------------------------|------|-------------------------|--------------|
| Freigabe erteilt / general release: | Kunde / customer | | | |
| Datum / date | Unterschrift / signature | | | |
| | Würth Elektronik | DDi | Version 3 | 12-01-16 |
| | | DDi | Version 2 | 11-04-19 |
| Geprüft / checked | Kontrolliert / approved | MLe | Version 1 | 10-10-22 |
| | | Name | Änderung / modification | Datum / date |

Würth Elektronik eiSos GmbH & Co. KG

D-74638 Waldenburg · Max-Eyth-Strasse 1 - 3 · Germany · Telefon (+49) (0) 7942 - 945 - 0 · Telefax (+49) (0) 7942 - 945 - 400
<http://www.we-online.com>

Spezifikation für Freigabe / specification for release

Kunde / customer :
 Artikelnummer / part number : **74479776222**
 Bezeichnung : **SMD-Powerinduktivität WE-PMI**
 description : **SMD-power inductance WE-PMI**

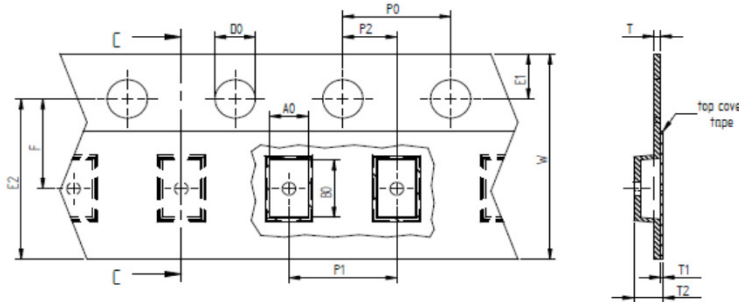


DATUM / DATE : 2010-10-22

J Rollenspezifikation / Tape & Reel specification :

Tape Spezifikation / tape specification

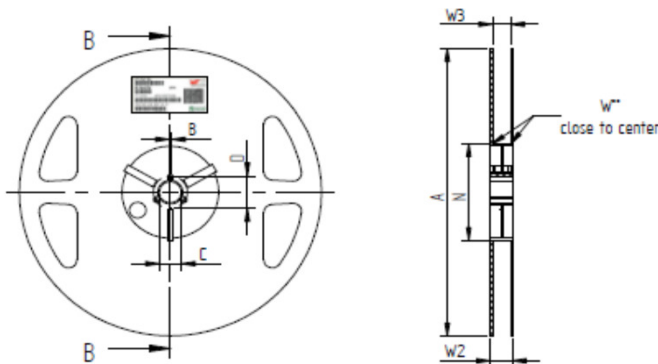
Material / Material: Polystyrene / polystyrene
 Abmessungen in / dimensions in mm / mm



| | A0 | B0 | W | P1 | T | T1 | T2 | D0 | E1 | E2 | F | P0 | P2 | VPE / packaging unit | |
|-----------|------|------|-------------|------|------|------|------|--------------|------|------|-------|------|-------|----------------------|------|
| tolerance | typ. | typ. | +0,3 0,1 | ±0,1 | ±0,1 | max. | typ. | +0,3 -0,1 | ±0,1 | min. | ±0,05 | ±0,1 | ±0,05 | | |
| size | 0806 | 1,90 | 2,30 | 8,00 | 4,00 | 0,25 | 0,10 | 1,10 | 1,50 | 1,75 | 6,25 | 3,50 | 4,00 | 2,00 | 4000 |

Reel Spezifikation / reel specification

Material / Material: Kunststoff / Plastic
 Abmessungen in / dimensions in mm / mm



| Maß / size | Bandbreite 8 mm / Tape width 8 mm | |
|------------|-----------------------------------|-------|
| A | 178 | |
| B | 1,5 | min. |
| C | 13,0 | ± 0.8 |
| D | 20,2 | min. |
| N | 50 | min. |
| W1 | 8,4 | ± 1.5 |
| W2 | 14,4 | max. |
| W3 | 7,9 | min. |
| W3 | 10,9 | max. |

| | | | |
|-------------------------------------|--------------------------|-------------------------|--------------|
| Freigabe erteilt / general release: | Kunde / customer | | |
| | | | |
| Datum / date | Unterschrift / signature | | |
| Geprüft / checked | Würth Elektronik | | |
| | DDi | Version 3 | 12-01-16 |
| | DDi | Version 2 | 11-04-19 |
| | MLe | Version 1 | 10-10-22 |
| | Name | Änderung / modification | Datum / date |

This electronic component has been designed and developed for usage in general electronic equipment. Before incorporating this component into any equipment where higher safety and reliability is especially required or if there is the possibility of direct damage or injury to human body, for example in the range of aerospace, aviation, nuclear control, submarine, transportation, (automotive control, train control, ship control), transportation signal, disaster prevention, medical, public information network etc. Würth Elektronik eiSos GmbH must be informed before the design-in stage. In addition, sufficient reliability evaluation checks for safety must be performed on every electronic component which is used in electrical circuits that require high safety and reliability functions or performance.

Würth Elektronik eiSos GmbH & Co. KG

D-74638 Waldenburg · Max-Eyth-Strasse 1 - 3 · Germany · Telefon (+49) (0) 7942 - 945 - 0 · Telefax (+49) (0) 7942 - 945 - 400
<http://www.we-online.com>