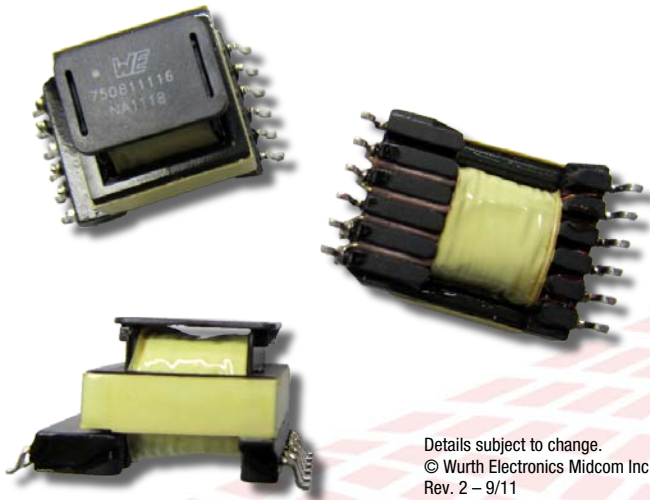


Surface Mount Offline Transformer

Midcom

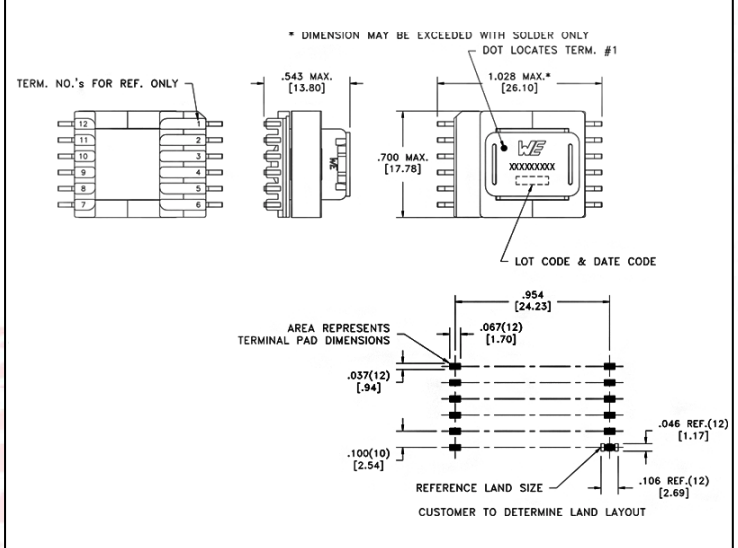


Surface Mount Offline Transformer for LED Lighting



Details subject to change.
© Würth Electronics Midcom Inc. 2011
Rev. 2 - 9/11

Mechanical



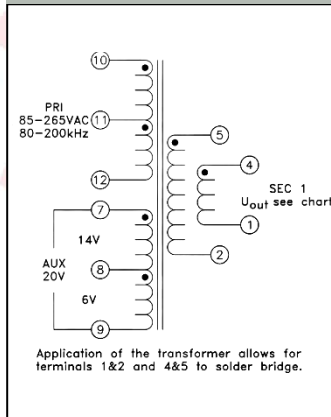
Characteristics

- Surface mount design
- Designed to IEC60950-1, for reinforced 400V_{DC}
- 3kV_{AC} Isolation
- Multiple output voltage options
- Flexible auxiliary voltage taps

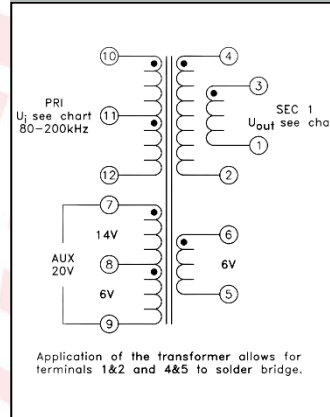
Applications

- LED lighting
- Offline power supplies

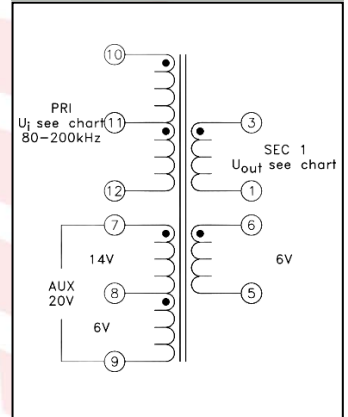
Schematic 1



Schematic 2



Schematic 3



Electrical Properties

Order Code	U _i (V _{AC})	L (mH)	I _{SAT} (A)	N _p :N _s :N _{AUX}	f _{switch} (kHz)	U _{out} (V)	I _{o1} (A)	Schematic	I _{o2} (A)	U _{AUX}	U _T
750811116	85-265V	1.31	0.80	23.3:1:3.8	80-200	5V	2.55A	1	N/A	6 & 14 or 20V	3kV _{AC}
750811137	85-265V	1.39	0.74	9.7:1:1.57	80-200	12V	1.050A	1	N/A	6 & 14 or 20V	3kV _{AC}
750813530	85-130V	1.50	0.62	21.7:2.3:1:2.7	80-200	15 & 6 or 21V	0.535A	2	0.535A	6 & 14 or 20V	3kV _{AC}
750813540	85-130V	1.25	0.80	21.3:3.8:1:3.2	80-200	25 & 6 or 31V	0.400A	3	0.400A	6 & 14 or 20V	3kV _{AC}
750813551	85-130V	1.50	0.62	21.3:5.3:1:3.2	80-200	35 & 6 or 41V	0.285A	3	0.285A	6 & 14 or 20V	3kV _{AC}
750815530	195-265V	8.00	0.27	48:2.3:1:3.2	80-200	15 & 6 or 21V	0.520A	2	0.520A	6 & 14 or 20V	3kV _{AC}
750815542	195-265V	5.00	0.39	51:3.8:1:3.2	80-200	25 & 6 or 31V	0.500A	3	0.500A	6 & 14 or 20V	3kV _{AC}
750815550	195-265V	6.00	0.33	52:5.6:1:3.4	80-200	35 & 6 or 41V	0.325A	3	0.325A	6 & 14 or 20V	3kV _{AC}