

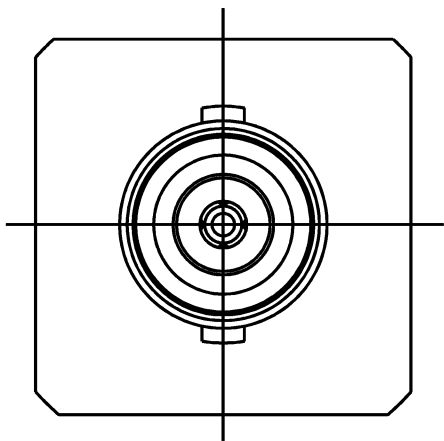
| | | |
|----------|--------|-----------|
| DASH NO. | M CODE | MADE FROM |
|----------|--------|-----------|

GSD

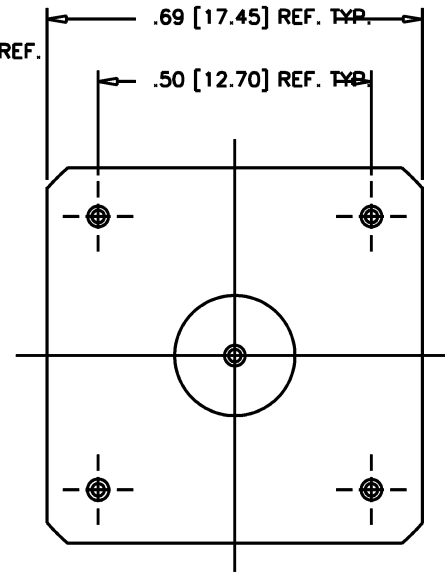
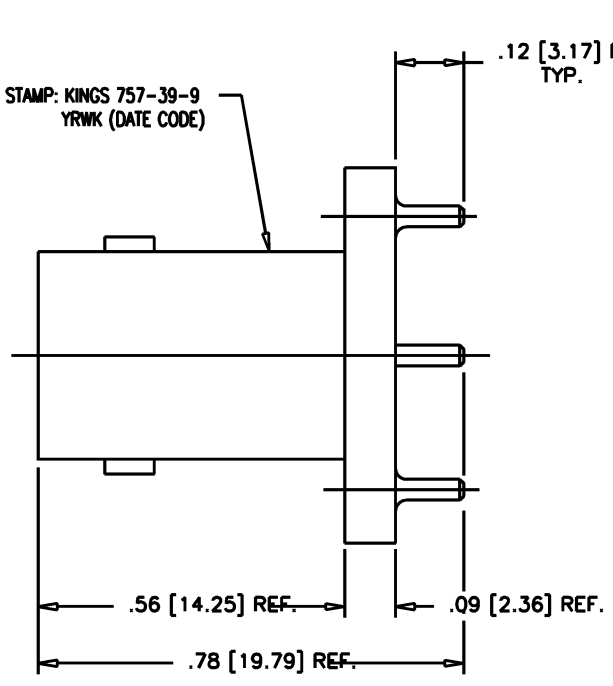
757-39-9

REVISIONS

| ISSUE | CHANGES |
|-------|--------------------------|
| 0 | ER 39612 JPK 09/07/06 |



STAMP: KINGS 757-39-9
YRWK (DATE CODE)



NOTES:

1. INTERFACE PER MIL-STD-348, FIG. 301-2.
2. MATERIALS:
INSULATOR: TEFLON, ASTM-D-4894
CENTER CONTACT: BER. COP., ASTM-B-196
BODY: ZINC (ZAMAK #3)
ALL OTHER METAL PARTS: BRASS, ASTM-B16
3. FINISHES:
CENTER CONTACT: SILVER PLATE PER ASTM-B700
ALL METAL PARTS: PLATED KINGS TR-5
4. ELECTRICAL CHARACTERISTICS:
NOMINAL IMPEDANCE: 50 OHMS
FREQUENCY RANGE: DC TO 4 GHZ
WORKING VOLTAGE: 500 VRMS

757-39-9SD

SCALE 4 : 1

APPROX SURFACE AREA

USED ON

REF: EQR 934 & E-20346

BNC, RECEIPT, PCB MOUNT

DRAWN J. KENNEDY DATE 09/06/06

DESIGN J. KENNEDY DATE 09/06/06

APPR. DATE



GSD

757-39-9