

- 10/100/1000 Base T Gigabit Ethernet Application
- Dual USB 2.0
- Standard Operating Temp: 0°C to 70°C
- Contact Factory for Industrial Temp.



Electrical Specifications @ 25°C

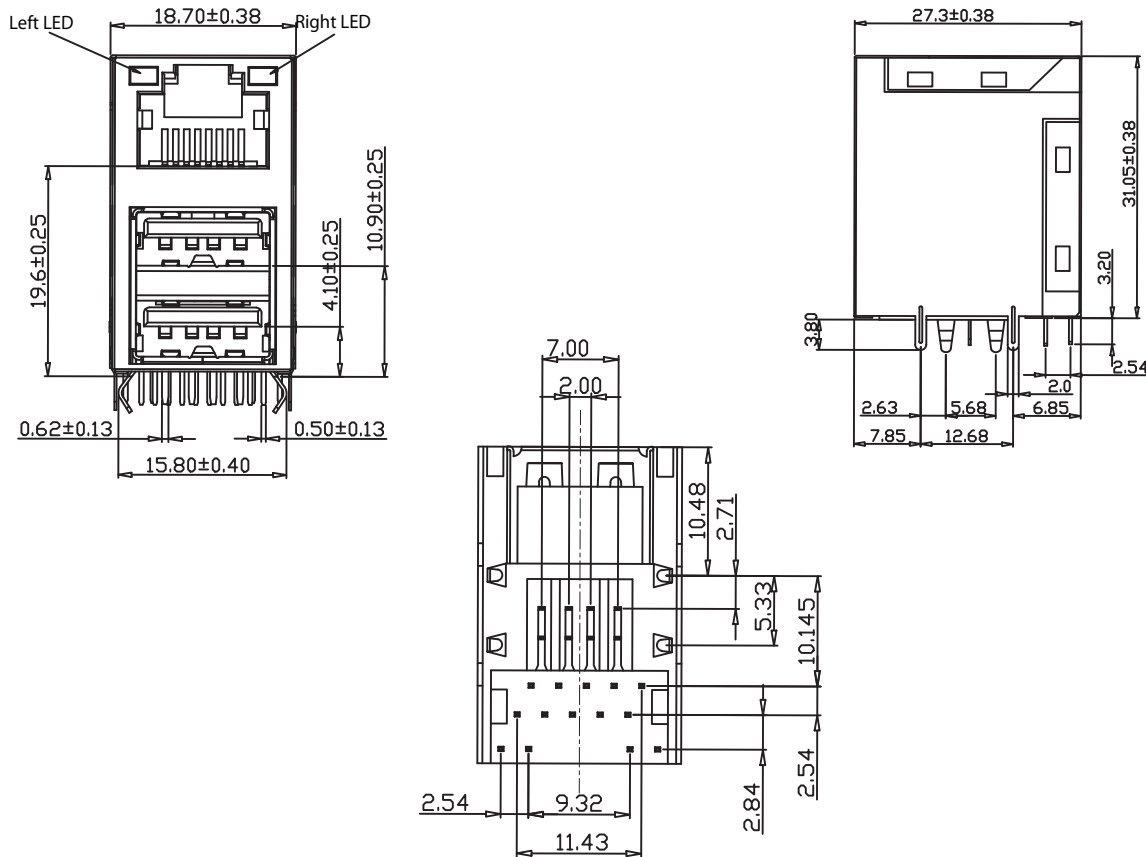
Part Number	OCL(uH Min) @ 100kHz, 0.1V (2-3) & (13-16) With 8mA DC Bias	Turns Ratio chip: cable (± 5%)	Insertion Loss (dB Max)		Return Loss (dB Min)	
			0.3-100MHz	30MHz	50MHz	80MHz
AR1USB2-3785	350	1CT:1CT	-1.0	-18	-15	-12

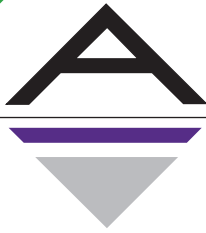
Electrical Specifications @ 25°C

Part Number	Cross Talk (dB Min)			CMR (dB Min)			HI-POT (Vrms) 1.0mA/3Sec.
	30MHz	60MHz	100MHz	30MHz	60MHz	100MHz	
AR1USB2-3785	-38	-38	-38	-40	-40	-40	1500

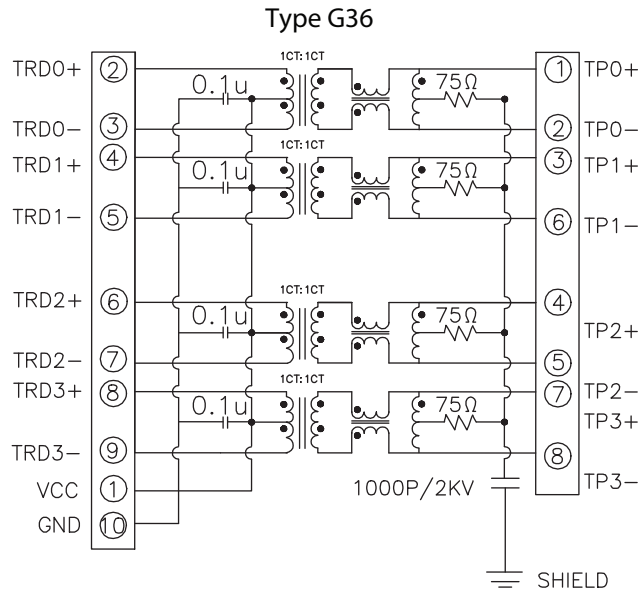
All specifications subject to change without notice.

MECHANICAL





SCHEMATICS



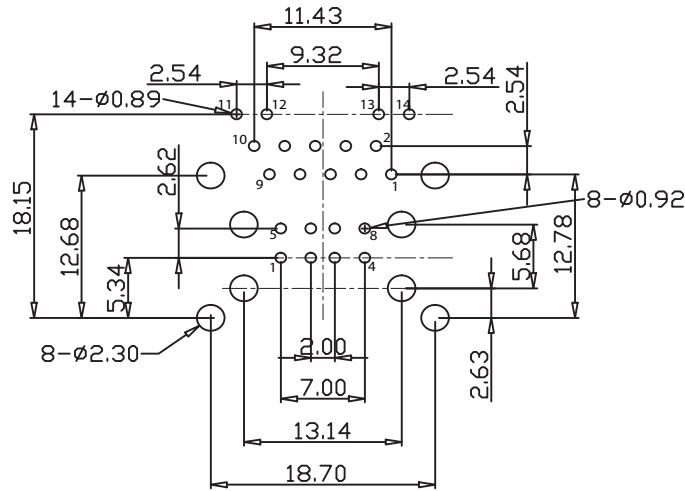
LED Schematic Code:

F

(See chart below)

LED Code				
	Left LED		Right LED	
	+11, -12	-11, +12	+13, -14	-13, +14
A	Green	-	Yellow	-
B	Yellow	-	Green	-
C	Green	-	Green	-
D	-	Green	-	Yellow
E	-	Yellow	-	Green
F	Yellow	-	Orange	Green
G	Orange	Green	Yellow	-
H	Green	Yellow	Green	-
I	Green	Orange	Yellow	-
J	Green	Yellow	Green	Yellow
K	Green	-	Green	Yellow
L	Yellow	-	Green	Orange
M	Green	Orange	Green	-

PCB LAYOUT



NOTES

- Shield- 0.20mm THICKNESS BRASS C2680 H. PLATING NICKEL 30u"-50u"
0.20mm SUS301
- Housing- Standard Material Nylon66, Glass filled Polyester UL94V-0 Standard Color Black.
- Insert Pin- Plastic: Nylon 66 G.F, UL94V-0, Standard Color Black.
Pin: 0.35mm Thickness Phos-Bronze C5210 EH.
Plating: Nickel 40u"-60u", for all and Sn100%, and 3u" Gold Plating.
- Contact Pin- Plastic: Nylon 66, Glass Filled, UL94V-0, Standard Color Black.
Pin: 0.35mm Thickness SUS430.
Plating: Nickel 40u"-60u" for all and Sn 100%.