

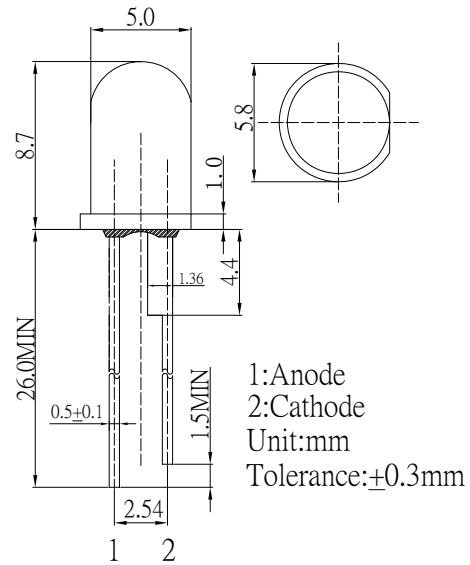
### ■Features

- High Luminous LEDs
- 5mm Round Standard Directivity
- Superior Weather-resistance
- UV Resistant Epoxy
- Water Clear Type

### ■Applications

- Traffic Signal
- Backlighting
- Signal and channel letter
- Other Lighting

### ■Outline Dimension

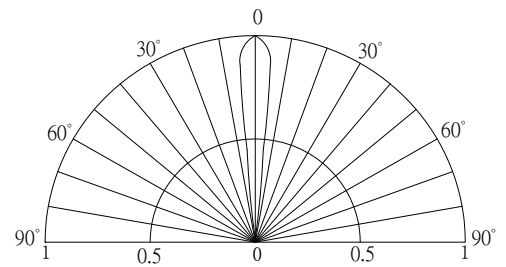


### ■Absolute Maximum Rating (Ta=25°C)

Item	Symbol	Value	Unit
DC Forward Current	$I_F$	70	mA
Pulse Forward Current*	$I_{FP}$	120	mA
Reverse Voltage	$V_R$	5	V
Power Dissipation	$P_D$	182	mW
Operating Temperature	$T_{opr}$	-40~ +85	°C
Storage Temperature	$T_{stg}$	-40 ~ +100	°C
Lead Soldering Temperature	$T_{sol}$	260°C/5sec	-

\*Pulse width Max.10ms , Duty ratio max 1/10

### ■Directivity



### ■Electrical -Optical Characteristics (Ta=25°C)

Item	Symbol	Condition	Min.	Typ.	Max.	Unit
DC Forward Voltage	$V_F$	$I_F=70mA$	2.0	2.2	2.6	V
DC Reverse Current	$I_R$	$V_R=5V$	-	-	10	μA
Domi. Wavelength*	$\lambda_D$	$I_F=70mA$	585	590	595	nm
Luminous Intensity*	$I_v$	$I_F=70mA$	80000	100000	-	mcd
50% Power Angle	$2\theta_{1/2}$	$I_F=70mA$	-	15	-	deg

\*1 Tolerance of dominant wavelength is ±1nm

\*2 Tolerance of luminous intensity is ±15%

### ■Maximum Forward DC Current

