

## Infrared Transceiver Module (SIR, 115.2 kbit/s) for IrDA® Applications



### FEATURES

- Operates from 2.4 V to 5.5 V within specification over full temperature range from -30 °C to +85 °C
- Split power supply, transmitter and receiver can be operated from two power supplies with relaxed requirements saving costs, US - patent no. 6,157,476
- Low power consumption (< 0.12 mA supply current in receive mode, no signal)
- Power shutdown mode (< 4 µA shutdown current in full temperature range, up to 85 °C, < 10 nA at 25 °C)
- Surface mount package (L x W x H in mm): 9.7 × 4.7 × 4
- High efficiency emitter
- Low profile (universal) package capable of surface mount soldering to side and top view orientation
- Directly Interfaces with various super I/O and controller devices as e. g. TOIM4232
- Tri-state-receiver output, floating in shut down with a weak pull-up
- Qualified for lead (Pb)-free and Sn/Pb processing (MSL4)
- Compliant to RoHS directive 2002/95/EC and in accordance to WEEE 2002/96/EC


**RoHS**  
COMPLIANT

### DESCRIPTION

The TFDU4101 transceiver is an infrared transceiver module compliant to the latest IrDA® physical layer standard for fast infrared data communication, supporting IrDA speeds up to 115.2 kbit/s (SIR), and carrier based remote control modes. Integrated within the transceiver module are a photo pin diode, an infrared emitter (IRED), and a low-power control IC to provide a total front-end solution in a single package. This device covers the full IrDA range of more than 1 m using the internal intensity control. With one external current control resistor the current can be adjusted for shorter ranges saving operating current operating in IrDA low power mode. This Vishay SIR transceiver is using the lead frame technology. The receiver output pulse duration is independent of the optical input pulse duration and recovers always a fixed pulse duration optimum for compatibility to standard Endecs and interfaces. TFDU4101 has a tristate output and is floating in shutdown mode with a weak pull-up.

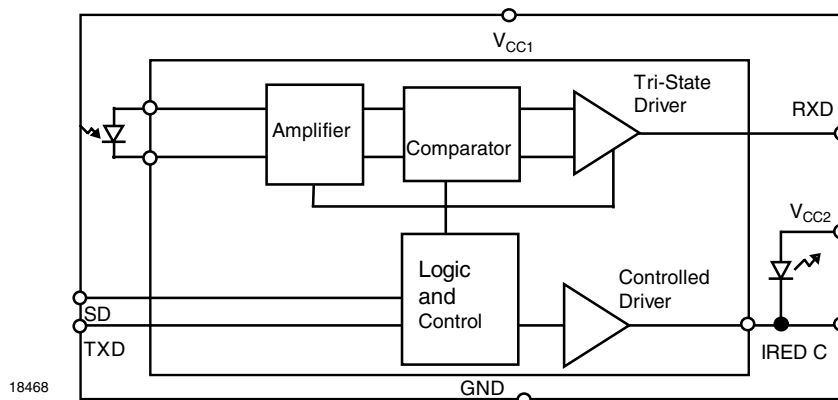
### APPLICATIONS

- Printers, fax machines, photocopiers, screen projectors
- Internet TV boxes, video conferencing systems
- Medical data collection
- Diagnostic systems
- Notebook computers, desktop PCs, palmtop computers (Win CE, Palm PC), PDAs
- Internet TV boxes, video conferencing systems
- External infrared adapters (dongles)
- Data loggers
- GPS
- Kiosks, POS, point and pay devices
- Industrial applications

PARTS TABLE		
PART	DESCRIPTION	QTY/REEL
TFDU4101-TR3	Oriented in carrier tape for side view surface mounting	1000 pcs
TFDU4101-TT3	Oriented in carrier tape for top view surface mounting	1000 pcs

PRODUCT SUMMARY					
PART NUMBER	DATA RATE (kbit/s)	DIMENSIONS H x L x W (mm x mm x mm)	LINK DISTANCE (m)	OPERATING VOLTAGE (V)	IDLE SUPPLY CURRENT (mA)
TFDU4101	115.2	4 x 9.7 x 4.7	0 to ≥ 1	2.4 to 5.5	0.07

## FUNCTIONAL BLOCK DIAGRAM



PIN DESCRIPTION				
PIN NUMBER	SYMBOL	DESCRIPTION	I/O	ACTIVE
1	V <sub>CC2</sub> IRED anode	IRED anode to be externally connected to V <sub>CC2</sub> . An external resistor is only necessary for controlling the IRED current when a current reduction below 300 mA is intended to operate in IrDA low power mode. This pin is allowed to be supplied from an uncontrolled power supply separated from the controlled V <sub>CC1</sub> - supply.		
2	IRED cathode	IRED cathode, internally connected to driver transistor		
3	TXD	This Schmitt-Trigger input is used to transmit serial data when SD is low. An on-chip protection circuit disables the LED driver if the TXD pin is asserted for longer than 50 μs (max. 300 μs).	I	High
4	RXD	Received data output, push-pull CMOS driver output capable of driving standard CMOS or TTL loads. During transmission the RXD output is active (echo-on). No external pull-up or pull-down resistor is required. Floating with a weak pull-up of 500 kΩ (typ.) in shutdown mode.	O	Low
5	SD	Shutdown	I	High
6	V <sub>CC1</sub>	Supply voltage		
7	NC	No internal connection	I	
8	GND	Ground		



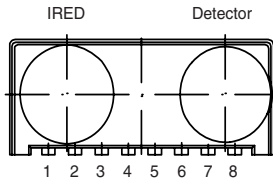
Infrared Transceiver Module (SIR, 115.2 kbit/s) for IrDA® Applications

Vishays Semiconductors

PINOUT

TFDU4101 weight 200 mg

"U" Option Baby Face (universal)



17087

Table with 7 columns: PARAMETER, TEST CONDITIONS, SYMBOL, MIN., TYP., MAX., UNIT. Contains absolute maximum ratings for supply voltage, current, power, and temperature.

Note

Reference point pin, GND unless otherwise noted. Typical values are for DESIGN AID ONLY, not guaranteed nor subject to production testing.

Table with 2 columns: STANDARD, CLASSIFICATION. Contains eye safety information and regulatory references.

Note

Vishay transceivers operating inside the absolute maximum ratings are classified as eye safe according the above table.

ELECTRICAL CHARACTERISTICS						
PARAMETER	TEST CONDITIONS/PINS	SYMBOL	MIN.	TYP.	MAX.	UNIT
<b>TRANSCEIVER</b>						
Supply voltage		$V_{CC1}$	2.4		5.5	V
Dynamic supply current	SD = low, $E_e = 1 \text{ klx}^{(1)}$ , $T_{amb} = -25 \text{ }^\circ\text{C}$ to $+85 \text{ }^\circ\text{C}$ $V_{CC1} = V_{CC2} = 2.4 \text{ V}$ to $5.5 \text{ V}$	$I_{CC1}$		90	130	$\mu\text{A}$
Dynamic supply current	SD = low, $E_e = 1 \text{ klx}^{(1)}$ , $T_{amb} = 25 \text{ }^\circ\text{C}$ $V_{CC1} = V_{CC2} = 2.4 \text{ V}$ to $5.5 \text{ V}$	$I_{CC1}$		75		$\mu\text{A}$
Average dynamic supply current, transmitting	$I_{IRED} = 300 \text{ mA}$ , 25 % duty cycle	$I_{CC}$			0.65	mA
Shutdown supply current	SD = high, $T = 25 \text{ }^\circ\text{C}$ , $E_e = 0 \text{ klx}$ no signal, no resistive load	$I_{SD}$			0.1	$\mu\text{A}$
	SD = high, $T = 70 \text{ }^\circ\text{C}$ no signal, no resistive load	$I_{SD}$			3	$\mu\text{A}$
	SD = high, $T = 85 \text{ }^\circ\text{C}$ no signal, no resistive load	$I_{SD}$			4	$\mu\text{A}$
Operating temperature range		$T_A$	-30		+85	$^\circ\text{C}$
Output voltage low, RXD	$C_{load} = 15 \text{ pF}$	$V_{OL}$	-0.5		$0.15 \times V_{CC1}$	V
Output voltage high, RXD	$I_{OH} = -500 \text{ } \mu\text{A}$ , $C_{Load} = 15 \text{ pF}$	$V_{OH}$	$0.8 \times V_{CC1}$		$V_{CC1} + 0.5$	V
	$I_{OH} = -250 \text{ } \mu\text{A}$ , $C_{Load} = 15 \text{ pF}$	$V_{OH}$	$0.9 \times V_{CC1}$		$V_{CC1} + 0.5$	V
RXD to $V_{CC1}$ impedance		$R_{RXD}$	400	500	600	$\text{k}\Omega$
Input voltage low (TXD, SD)		$V_{IL}$	-0.5		0.5	V
Input voltage high (TXD, SD)	$1.5 \text{ V} \leq V_{logic} \leq 2.5 \text{ V}^{(2)}$	$V_{IH}$	$0.8 \times V_{CC1}$		6	V
	$V_{logic} > 2.5 \text{ V}^{(2)}$	$V_{IH}$	$V_{CC1} - 0.5$		6	V
Input leakage current (TXD, SD)	$V_{in} = 0.9 \times V_{CC1}$	$I_{ICH}$	-2		+2	$\mu\text{A}$
Controlled pull down current $0 < V_{in} < 0.15 V_{CC1}$ $V_{in} > 0.7 V_{CC1}$	SD, TXD = "0" or "1"	$I_{ITX}$	-1	0	+150 1	$\mu\text{A}$ $\mu\text{A}$
Input capacitance (TXD, SD)		$C_I$			5	pF

**Note**

$T_{amb} = 25 \text{ }^\circ\text{C}$ ,  $V_{CC1} = V_{CC2} = 2.4 \text{ V}$  to  $5.5 \text{ V}$  unless otherwise noted.

Typical values are for DESIGN AID ONLY, not guaranteed nor subject to production testing.

<sup>(1)</sup> Standard illuminant A

<sup>(2)</sup> The typical threshold level is  $0.5 \times V_{CC1}$ . It is recommended to use the specified min./max. values to avoid increased operating current.



OPTOELECTRONIC CHARACTERISTICS (1)						
PARAMETER	TEST CONDITIONS	SYMBOL	MIN.	TYP.	MAX.	UNIT
<b>RECEIVER</b>						
Minimum irradiance $E_e$ in angular range (3) SIR mode	9.6 kbit/s to 115.2 kbit/s $\lambda = 850 \text{ nm to } 900 \text{ nm}; \alpha = 0^\circ, 15^\circ$	$E_{e, \text{min.}}$	4 (0.4)	20 (2)	35 (2) (3.5)	$\text{mW/m}^2$ ( $\mu\text{W/cm}^2$ )
Maximum irradiance $E_e$ in angular range (4)	$\lambda = 850 \text{ nm to } 900 \text{ nm}$	$E_{e, \text{max.}}$	5 (500)			$\text{kW/m}^2$ ( $\text{mW/cm}^2$ )
Rise time of output signal	10 % to 90 %, $C_L = 15 \text{ pF}$	$t_r (\text{RXD})$	20		100	ns
Fall time of output signal	90 % to 10 %, $C_L = 15 \text{ pF}$	$t_f (\text{RXD})$	20		100	ns
RXD pulse width	Input pulse length $> 1.2 \mu\text{s}$	$t_{\text{PW}}$	1.65	2.2	3	$\mu\text{s}$
Leading edge jitter	Input irradiance = $100 \text{ mW/m}^2$ , $\leq 115.2 \text{ kbit/s}$				250	ns
Standby/shutdown delay, receiver startup time	After shutdown active or power-on				500	$\mu\text{s}$
Latency		$t_L$		100	150	$\mu\text{s}$
<b>TRANSMITTER</b>						
IRED operating current, switched current limiter	No external resistor for current limitation (5)	$I_D$	250	300	350	mA
Forward voltage of built-in IRED	$I_f = 300 \text{ mA}$	$V_f$	1.4	1.8	1.9	V
Output leakage IRED current		$I_{\text{IRED}}$	- 1		1	$\mu\text{A}$
Output radiant intensity	$\alpha = 0^\circ, 15^\circ$ TXD = high, SD = low	$I_e$	48	65		$\text{mW/sr}$
Output radiant intensity	$V_{\text{CC1}} = 5 \text{ V}, \alpha = 0^\circ, 15^\circ$ TXD = low or SD = high (receiver is inactive as long as SD = high)	$I_e$			0.04	$\text{mW/sr}$
Output radiant intensity, angle of half intensity		$\alpha$		$\pm 24$		deg
Peak - emission wavelength (6)		$\lambda_p$	880		900	nm
Spectral bandwidth		$\Delta\lambda$		45		nm
Optical rise time, optical fall time		$t_{\text{ropt}}, t_{\text{fopt}}$	10		300	ns
Optical output pulse duration	Input pulse width $1.6 \mu\text{s} < t_{\text{TXD}} < 20 \mu\text{s}$	$t_{\text{opt}}$	$t_{\text{TXD}} - 0.15$		$t_{\text{TXD}} + 0.15$	$\mu\text{s}$
Optical output pulse duration	Input pulse width $t_{\text{TXD}} \geq 20 \mu\text{s}$	$t_{\text{opt}}$		20	300	$\mu\text{s}$
Optical overshoot					25	%

**Note**

- (1)  $T_{\text{amb}} = 25^\circ\text{C}$ ,  $V_{\text{CC1}} = V_{\text{CC2}} = 2.4 \text{ V to } 5.5 \text{ V}$  unless otherwise noted.  
Typical values are for DESIGN AID ONLY, not guaranteed nor subject to production testing.
- (2) IrDA specification is  $40 \text{ mW/m}^2$ . Specification takes a window loss of 10 % into account.
- (3) IrDA sensitivity definition: minimum irradiance  $E_e$  in angular range, power per unit area. The receiver must meet the BER specification while the source is operating at the minimum intensity in angular range into the minimum half-angular range at the maximum link length.
- (4) Maximum irradiance  $E_e$  in angular range, power per unit area. The optical delivered to the detector by a source operating at the maximum intensity in angular range at minimum link length must not cause receiver overdrive distortion and possible related link errors. If placed at the active output interface reference plane of the transmitter, the receiver must meet its bit error ratio (BER) specification.
- (5) Using an external current limiting resistor is allowed and recommended to reduce IRED intensity and operating current when current reduction is intended to operate at the IrDA low power conditions. E.g. for  $V_{\text{CC2}} = 3.3 \text{ V}$  a current limiting resistor of  $R_S = 56 \Omega$  will allow a power minimized operation at IrDA low power conditions.
- (6) Due to this wavelength restriction compared to the IrDA spec of 850 nm to 900 nm the transmitter is able to operate as source for the standard remote control applications with codes as e.g. Phillips RC5/RC6® or RECS 80.

For more definitions see the document "Symbols and Terminology" on the Vishay website.

### RECOMMENDED CIRCUIT DIAGRAM

Operated with a clean low impedance power supply the TFDU4101 needs no additional external components. However, depending on the entire system design and board layout, additional components may be required (see figure 1). That is especially the case when separate power supplies are used for bench tests. When using compact wiring and regulated supplies as e. g. in phone applications in most cases no external components are necessary.

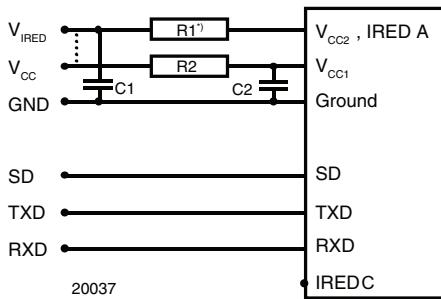


Fig. 1 - Recommended Test Circuit.

#### Note

<sup>1)</sup> R1 is optional when reduced intensity is used.

The capacitor C1 is buffering the supply voltage and eliminates the inductance of the power supply line. This one should be a Tantalum or other fast capacitor to guarantee the fast rise time of the IRED current. The resistor R1 is the current limiting resistor, which may be used to reduce the operating current to levels below the specified controlled values for saving battery power.

Vishay's transceivers integrate a sensitive receiver and a built-in power driver. The combination of both needs a careful circuit board layout. The use of thin, long, resistive and inductive wiring should be avoided. The shutdown input

must be grounded for normal operation, also when the shutdown function is not used.

The inputs (TXD, SD) and the output RXD should be directly connected (DC - coupled) to the I/O circuit. The capacitor C2 combined with the resistor R2 is the low pass filter for smoothing the supply voltage. R2, C1 and C2 are optional and dependent on the quality of the supply voltages V<sub>CC1</sub> and injected noise. An unstable power supply with dropping voltage during transmission may reduce the sensitivity (and transmission range) of the transceiver.

The placement of these parts is critical. It is strongly recommended to position C2 as close as possible to the transceiver power supply pins.

When extended wiring is used (bench tests!) the inductance of the power supply can cause dynamically a voltage drop at V<sub>CC2</sub>. Often some power supplies are not able to follow the fast current rise time. In that case another 4.7 μF (type, see table under C1) at V<sub>CC2</sub> will be helpful.

Under extreme EMI conditions as placing an RF-transmitter antenna on top of the transceiver, we recommend to protect all inputs by a low-pass filter, as a minimum a 12 pF capacitor, especially at the RXD port. The transceiver itself withstands EMI at GSM frequencies above 500 V/m. When interference is observed, the wiring to the inputs picks it up. It is verified by DPI measurements that as long as the interfering RF - voltage is below the logic threshold levels of the inputs and equivalent levels at the outputs no interferences are expected.

One should keep in mind that basic RF - design rules for circuit design should be taken into account. Especially longer signal lines should not be used without termination. See e.g. "The Art of Electronics" Paul Horowitz, Winfield Hill, 1989, Cambridge University Press, ISBN: 0521370957.

**TABLE 1 - RECOMMENDED TESTS AND APPLICATION CIRCUIT COMPONENTS**

COMPONENT	RECOMMENDED VALUE	VISHAY PART NUMBER
C1	4.7 μF, 16 V	293D 475X9 016B
C2	0.1 μF, ceramic	VJ 1206 Y 104 J XXMT
R1	Depends on current to be adjusted, e. g. with V <sub>CC2</sub> = 3.3 V 56 Ω is an option for minimum low power operation	
R2	47 Ω, 0.125 W	CRCW-1206-47R0-F-RT1

Figure 2 shows an example of a typical application with a separate supply voltage V<sub>S</sub> and using the transceiver with the IRED anode connected to the unregulated battery V<sub>batt</sub>. This method reduces the peak load of the regulated power supply and saves therefore costs. Alternatively all supplies can also be tied to only one voltage source. R1 and C1 are not used in this case and are depending on the circuit design in most cases not necessary.

In figure 2 an option is shown to operate the transmitter at

two different power levels to switch for long range to low power mode for e.g. saving power for IrDA application but use the full range specification for remote control. The additional components are marked in the figure.

For operating at RS232 ports TOIM4232 is recommended as ENDEC.

**CURRENT DERATING DIAGRAM**

Figure 3 shows the maximum operating temperature when the device is operated without external current limiting resistor.

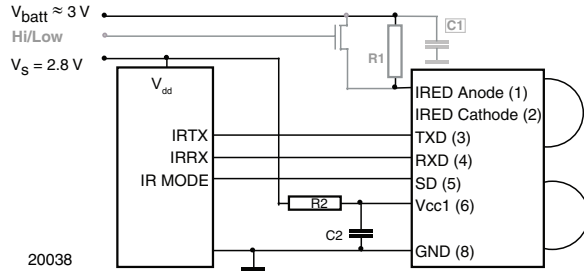


Fig. 2 - Typical Application Circuit.  
Grey: Optional for high/low Switching.

**I/O AND SOFTWARE**

In the description, already different I/Os are mentioned. Different combinations are tested and the function verified with the special drivers available from the I/O suppliers. In special cases refer to the I/O manual, the Vishay application notes, or contact directly Vishay Sales, Marketing or Application.

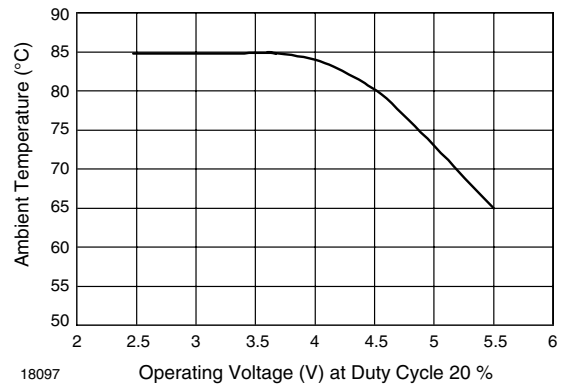


Fig. 3 - Current Derating Diagram

**TABLE 2 - TRUTH TABLE**

INPUTS			OUTPUTS		REMARK
SD	TXD	OPTICAL INPUT IRRADIANCE mW/m <sup>2</sup>	RXD	TRANSMITTER	OPERATION
High > 1 ms	x	x	Weakly pulled (500 kΩ) to V <sub>CC1</sub>	0	Shutdown
Low	High < 50 μs	x	Low active	I <sub>e</sub>	Transmitting
	High > 50 μs	x	High inactive	0	Protection is active
	Low	< 4	High inactive	0	Ignoring low signals below the IrDA defined threshold for noise immunity
	Low	> min. irradiance E <sub>e</sub> < max. irradiance E <sub>e</sub>	Low (active)	0	Response to an IrDA compliant optical input signal
	Low	> max. irradiance E <sub>e</sub>	Undefined	0	Overload conditions can cause unexpected outputs

**RECOMMENDED SOLDER PROFILES**

**Solder Profile for Sn/Pb Soldering**

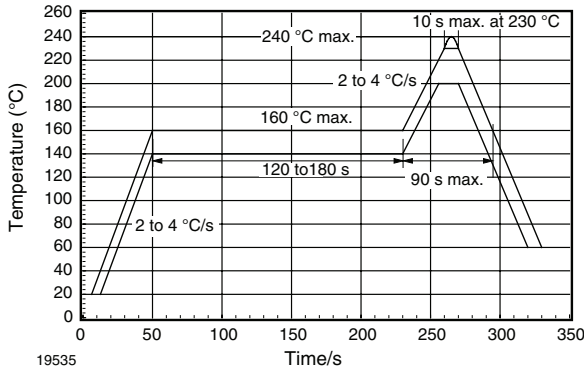


Fig. 4 - Recommended Solder Profile for Sn/Pb Soldering

**Lead (Pb)-free, Recommended Solder Profile**

The TFDU4101 is a lead (Pb)-free transceiver and qualified for lead (Pb)-free processing. For lead (Pb)-free solder paste like Sn<sub>(3.0-4.0)</sub>Ag<sub>(0.5-0.9)</sub>Cu, there are two standard reflow profiles: Ramp-Soak-Spike (RSS) and Ramp-To-Spike (RTS). The Ramp-Soak-Spike profile was developed primarily for reflow ovens heated by infrared radiation. With widespread use of forced convection reflow ovens the Ramp-To-Spike profile is used increasingly. Shown below in figure 5 and 6 are Vishay's recommended profiles for use with the TFDU4101 transceivers. For more details please refer to the application note "SMD Assembly Instructions". A ramp-up rate less than 0.9 °C/s is not recommended. Ramp-up rates faster than 1.3 °C/s could damage an optical part because the thermal conductivity is less than compared to a standard IC.

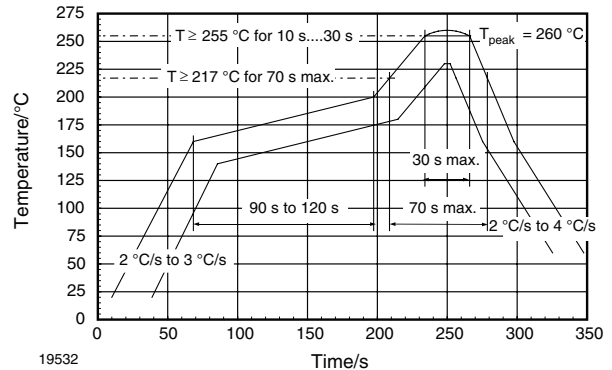


Fig. 5 - Solder Profile, RSS Recommendation

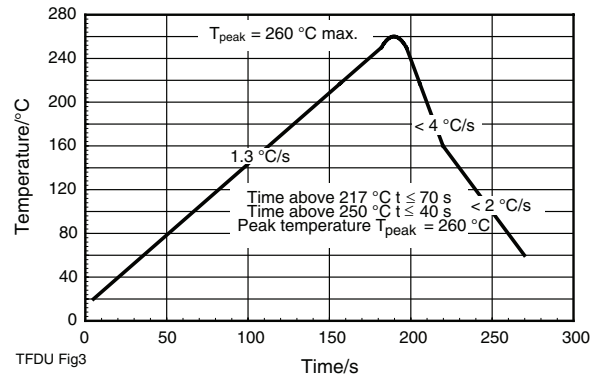


Fig. 6 - RTS Recommendation

**Wave Soldering**

For TFDUxxxx and TFBSxxxx transceiver devices wave soldering is not recommended.

**Manual Soldering**

Manual soldering is the standard method for lab use. However, for a production process it cannot be recommended because the risk of damage is highly dependent on the experience of the operator. Nevertheless, we added a chapter to the above mentioned application note, describing manual soldering and desoldering.

**Storage**

The storage and drying processes for all Vishay transceivers (TFDUxxxx and TFBSxxx) are equivalent to MSL4. The data for the drying procedure is given on labels on the packing and also in the application note "Taping, Labeling, Storage and Packing".



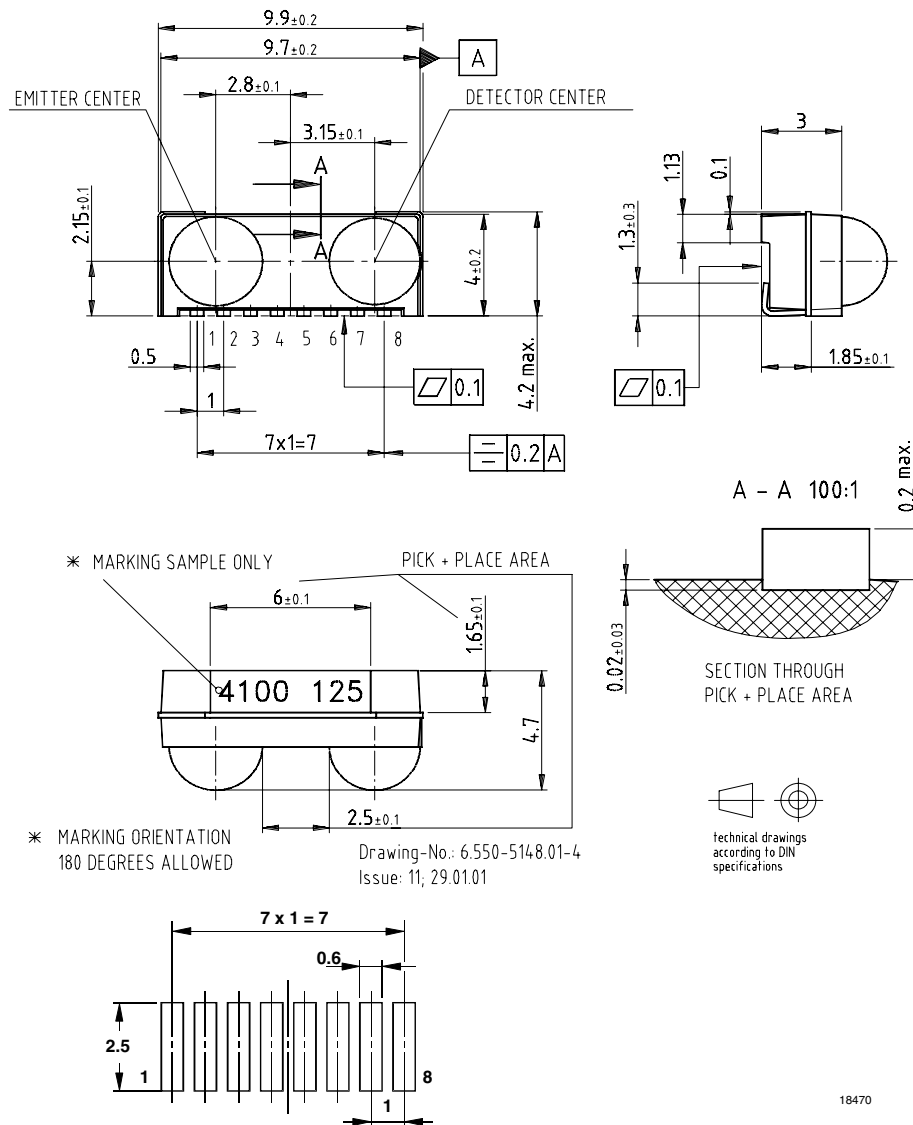
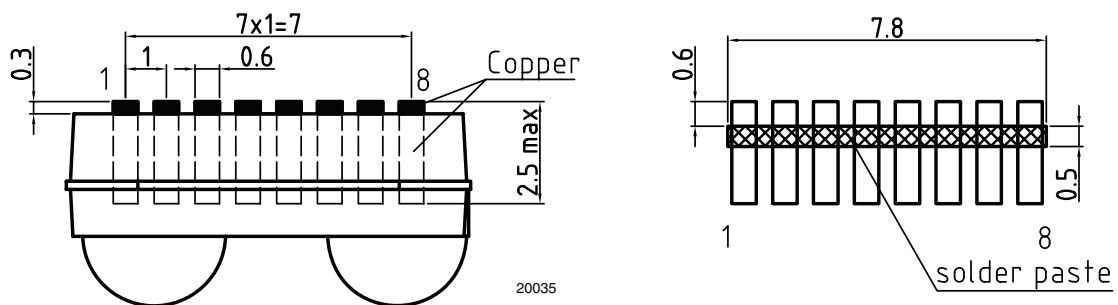
**PACKAGE DIMENSIONS** in millimeters

 Fig. 7 - Package Drawing TFDU4101. Tolerance  $\pm 0.2$  mm if not otherwise mentioned


Fig. 8 - Recommended Footprint for Side View Applications and Solderpaste Mask

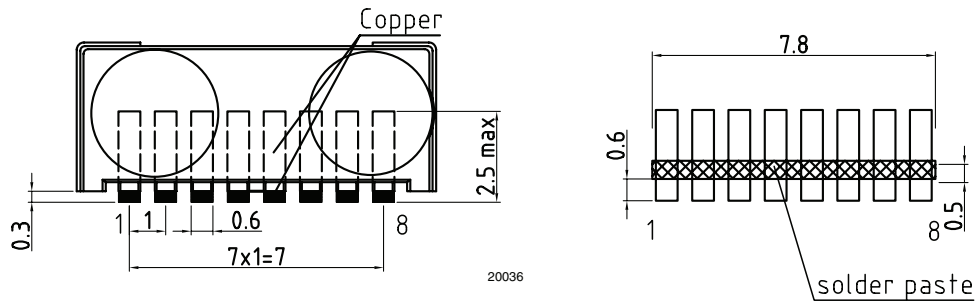
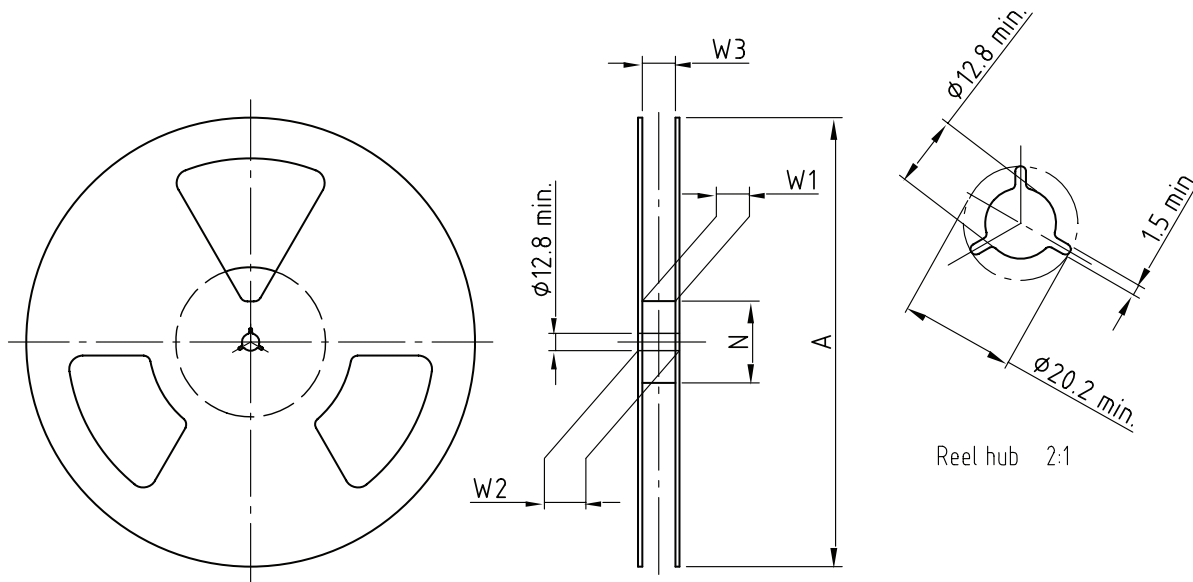


Fig. 9 - Recommended Footprint for Top View Applications and Solderpaste Mask

## REEL DIMENSIONS in millimeters



Drawing-No.: 9.800-5090.01-4  
Issue: 1; 29.11.05  
14017

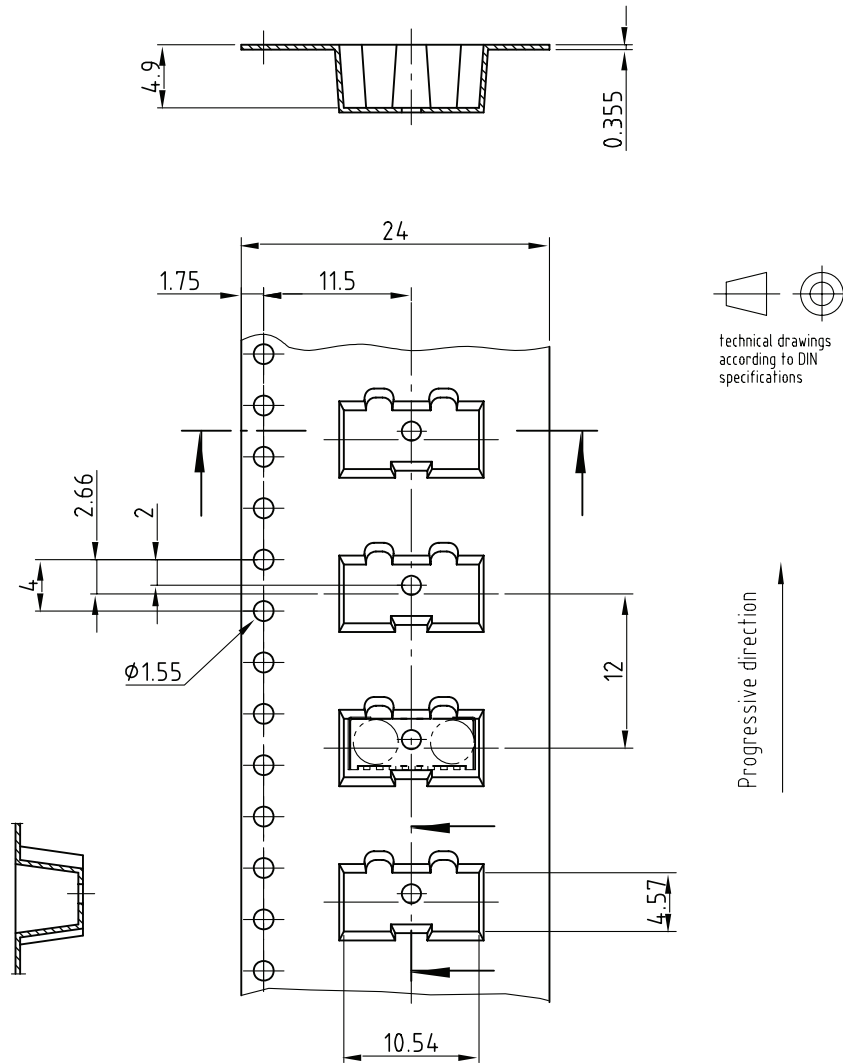
Form of the leave open  
of the wheel is supplier specific.

Dimension acc. to IEC EN 60 286-3

Technical drawings  
according to DIN  
specifications

TAPE WIDTH (mm)	A MAX. (mm)	N (mm)	W <sub>1</sub> MIN. (mm)	W <sub>2</sub> MAX. (mm)	W <sub>3</sub> MIN. (mm)	W <sub>3</sub> MAX. (mm)
24	330	60	24.4	30.4	23.9	27.4

**TAPE DIMENSIONS** in millimeters

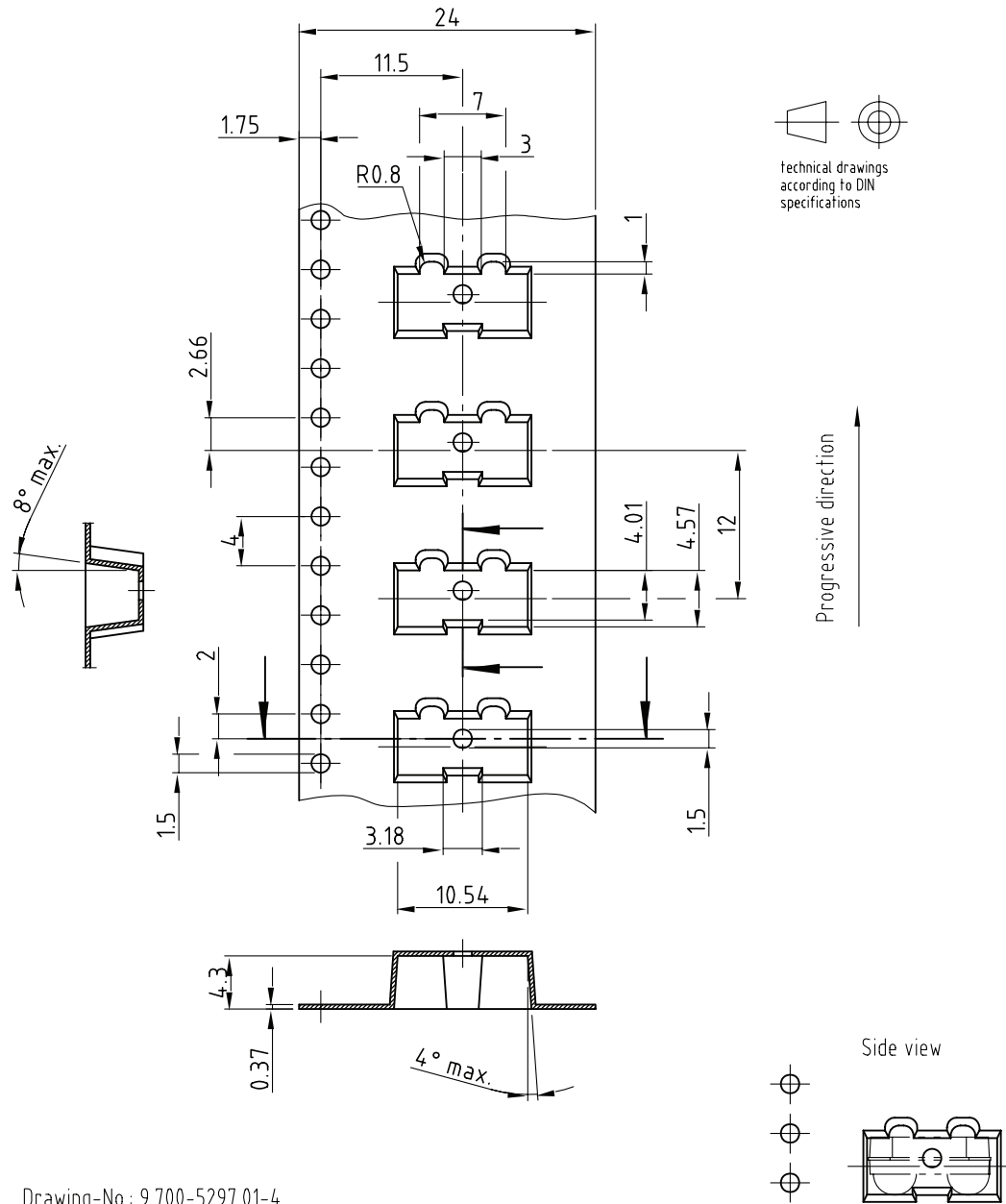


Drawing-No.: 9.700-5251.01-4  
Issue: 3; 02.09.05  
19824

Fig. 10 - Tape Drawing, TFDU4101 for Top View Mounting, Tolerance  $\pm 0.1$  mm

# TFDU4101

Vishay Semiconductors Infrared Transceiver Module (SIR, 115.2 kbit/s)  
for IrDA® Applications



Drawing-No.: 9.700-5297.01-4  
Issue: 3; 21.12.05  
19875

Fig. 11 - Tape Drawing, TFDU4101 for Side View Mounting, Tolerance  $\pm 0.1$  mm



## Disclaimer

ALL PRODUCT, PRODUCT SPECIFICATIONS AND DATA ARE SUBJECT TO CHANGE WITHOUT NOTICE TO IMPROVE RELIABILITY, FUNCTION OR DESIGN OR OTHERWISE.

Vishay Intertechnology, Inc., its affiliates, agents, and employees, and all persons acting on its or their behalf (collectively, "Vishay"), disclaim any and all liability for any errors, inaccuracies or incompleteness contained in any datasheet or in any other disclosure relating to any product.

Vishay makes no warranty, representation or guarantee regarding the suitability of the products for any particular purpose or the continuing production of any product. To the maximum extent permitted by applicable law, Vishay disclaims (i) any and all liability arising out of the application or use of any product, (ii) any and all liability, including without limitation special, consequential or incidental damages, and (iii) any and all implied warranties, including warranties of fitness for particular purpose, non-infringement and merchantability.

Statements regarding the suitability of products for certain types of applications are based on Vishay's knowledge of typical requirements that are often placed on Vishay products in generic applications. Such statements are not binding statements about the suitability of products for a particular application. It is the customer's responsibility to validate that a particular product with the properties described in the product specification is suitable for use in a particular application. Parameters provided in datasheets and/or specifications may vary in different applications and performance may vary over time. All operating parameters, including typical parameters, must be validated for each customer application by the customer's technical experts. Product specifications do not expand or otherwise modify Vishay's terms and conditions of purchase, including but not limited to the warranty expressed therein.

Except as expressly indicated in writing, Vishay products are not designed for use in medical, life-saving, or life-sustaining applications or for any other application in which the failure of the Vishay product could result in personal injury or death. Customers using or selling Vishay products not expressly indicated for use in such applications do so at their own risk and agree to fully indemnify and hold Vishay and its distributors harmless from and against any and all claims, liabilities, expenses and damages arising or resulting in connection with such use or sale, including attorneys fees, even if such claim alleges that Vishay or its distributor was negligent regarding the design or manufacture of the part. Please contact authorized Vishay personnel to obtain written terms and conditions regarding products designed for such applications.

No license, express or implied, by estoppel or otherwise, to any intellectual property rights is granted by this document or by any conduct of Vishay. Product names and markings noted herein may be trademarks of their respective owners.