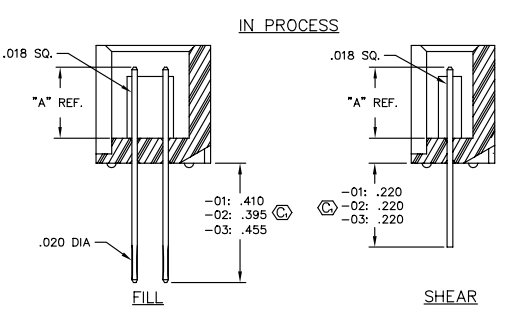
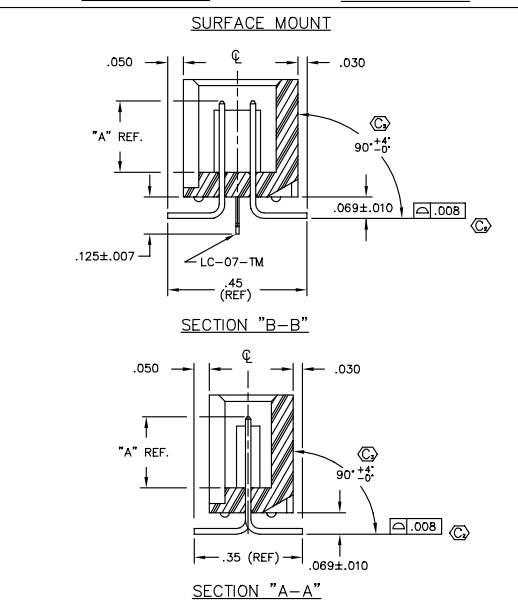
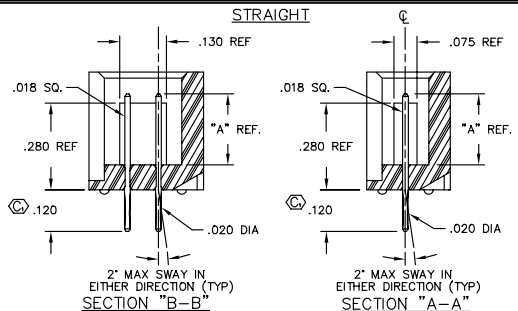
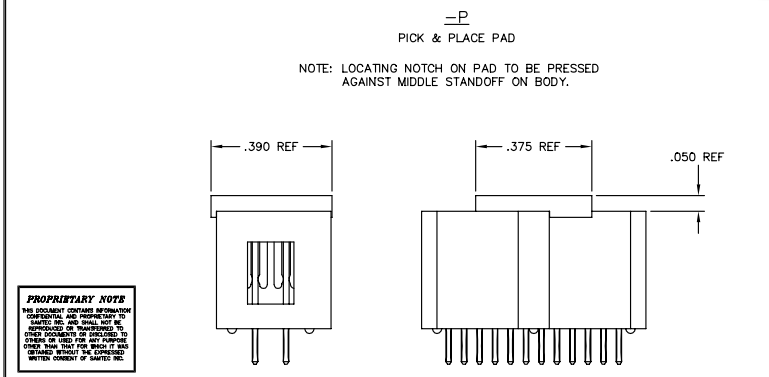
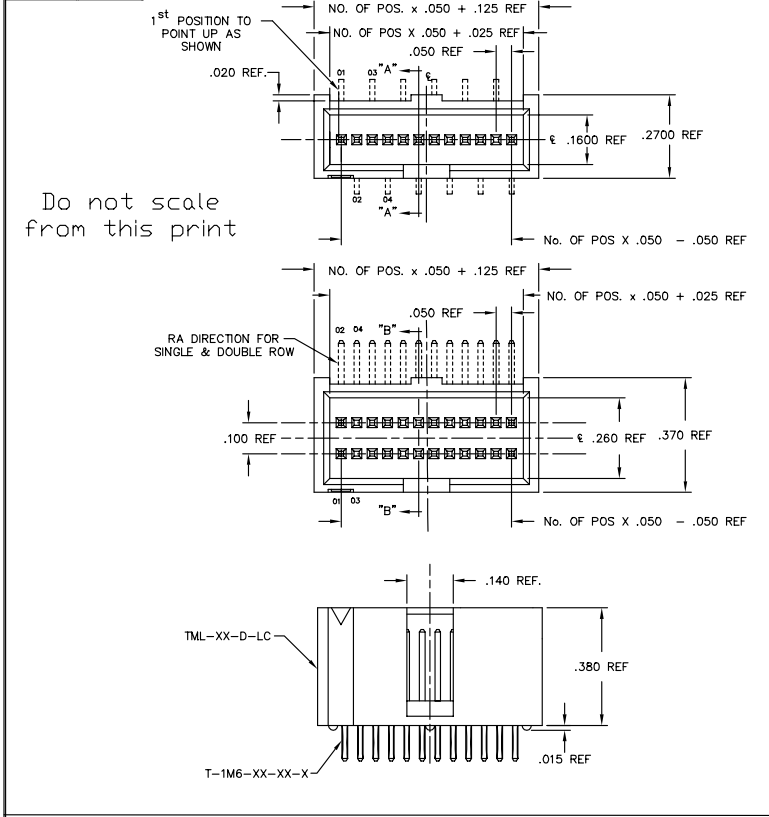


REV AD



UNLESS OTHERWISE NOTED TOLERANCES ARE: DIMENSIONS ARE IN INCHES

ONE PLACE DECIMALS ±.1

TWO PLACE DECIMALS ±.01

THREE PLACE DECIMALS ±.005

FOUR PLACE DECIMALS ±.0020

ANGLES ±.2°

TITLE: TML ASSEMBLY

DWG NO: TML-1XX-XX-XX-X-XX-XXX

SHEET 1 OF 1

TML-1XX-XX-XX-X-XX-XXX

NO. OF POSITIONS -05 THRU -50

LEAD STYLE SEE TABLE 1

PLATING SPECIFICATION

-G: GOLD (USE T-1M6-XX-G-2)

-T: TIN (USE T-1M6-XX-T-2)

-S: SELECTIVE (USE T-1M6-XX-S-2)

-F: FLASH SELECTIVE (USE T-1M6-XX-F-2)

-H: HEAVY GOLD (USE T-1M6-XX-H-2)

-SM: HEAVY GOLD SELECTIVE, MATTE TIN TAIL (USE T-1M6-XX-S-2)

-TM: MATTE TIN (USE T-1M6-XX-T-2)

-FM: FLASH GOLD SELECTIVE, MATTE TIN TAIL (USE T-1M6-XX-F-2)

OPTION #2

-XXX: INDICATES POSITION OMITTED FOR POLARIZED ASSEMBLY

-LC: LOCKING CLIP (AVAILABLE FOR DOUBLE ROW SURFACE MOUNT ONLY) (USE LC-07-TM)

-P: PICK & PLACE PAD (USE PPP-22)

OPTION #1

BLANK: STRAIGHT

-RA: RIGHT ANGLE

-SM: SURFACE MOUNT

ROW SPECIFICATION

-D: DOUBLE (USE TML-XX-D)

-S: SINGLE (USE TML-XX-S)

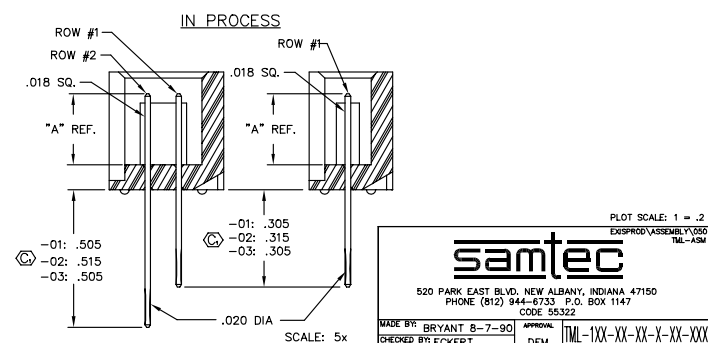
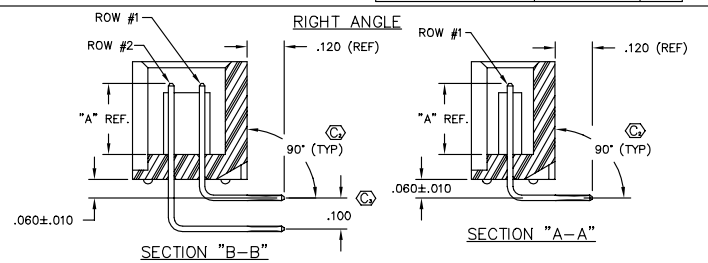
TABLE 1

LEAD STYLE	"A"	STRAIGHT	RIGHT ANGLE		SURFACE MOUNT (SINGLE & DOUBLE ROW)
			ROW #1	ROW #2	
-01	.120	T-1M6-17-XX-2	T-1M6-04-XX-2	T-1M6-05-XX-2	T-1M6-03-XX-2
-02	.230	T-1M6-12-XX-2	T-1M6-13-XX-2	T-1M6-16-XX-2	T-1M6-05-XX-2
-03	.170	T-1M6-26-XX-2	T-1M6-14-XX-2	T-1M6-15-XX-2	T-1M6-05-XX-2

TABLE 2

OPTIONS	PACKAGING TUBE	PLUG
-D-SM	PT-1-24-01-08	TP-13
-D-SM-LC, -D-SM-LC-P	PT-1-24-02-08	TP-13
-D-RA	PT-TML001-RA	TP-07
-S-RA	PT-TML001-RA	TP-07

NOTE: 1. Ⓢ REPRESENTS A CRITICAL DIMENSION.



PLOT SCALE: 1 = .2

EGS/PROD/ASSEMBLY/000

THE-ASM

samtec

520 PARK EAST BLVD. NEW ALBANY, INDIANA 47150

PHONE (812) 944-6733 F.O. BOX 1147

CODE 55322

MAD BY: BRYANT B-7-90

APPROVAL: [Signature]

CHECKED BY: ECKERT

DEM TML-1XX-XX-XX-X-XX-XXX