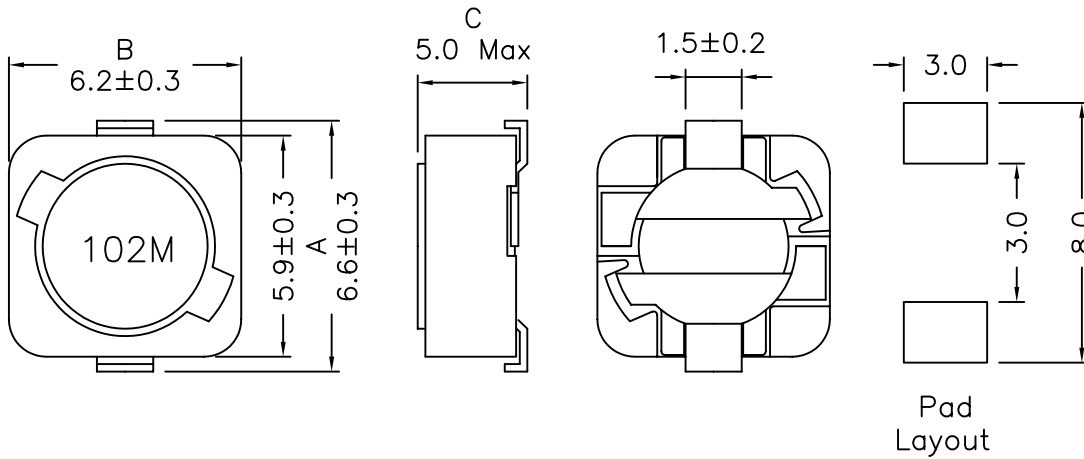
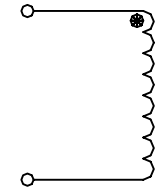


1. Mechanical Dimensions:



2. Schematic:



3. Electrical Specification:

OCL: 1000uH ±20% @1KHz 1.0V
 Rated Current: 0.14 Adc
 DCR: 9.26 Ohms Max.

Notes:

1. Solderability: Leads shall meet MIL-STD-202, Method 208D for solderability.
2. Flammability: UL94V-0
3. ASTM oxygen index: > 28%
4. Insulation System: Class F 155°C. UL file E151556
5. Operating Temperature Range: All listed parameters are to be within tolerance from -40°C to +85°C
6. Storage Temperature Range: -55°C to +125°C
7. Aqueous wash compatible

XFMRs Inc.	Title: HIGH CURRENT SELF-LEADED SMT INDUCTORS		
UNLESS OTHERWISE SPECIFIED TOLERANCES: .xx ±0.25 Dimensions in MM	P/N: XFTPRH64B-102M	REV. A	
	DWN.	李小锋	JUn-25-03
	CHK.	廖玉坤	Jun-25-03
SHEET 1 OF 1	APP.	MS	JUn-25-03

DOC. REV: A/1