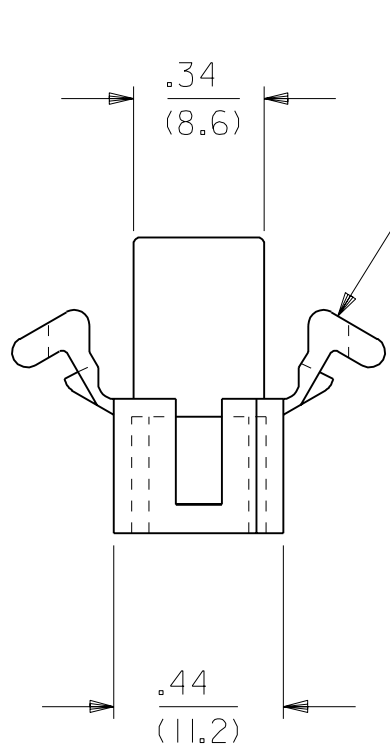
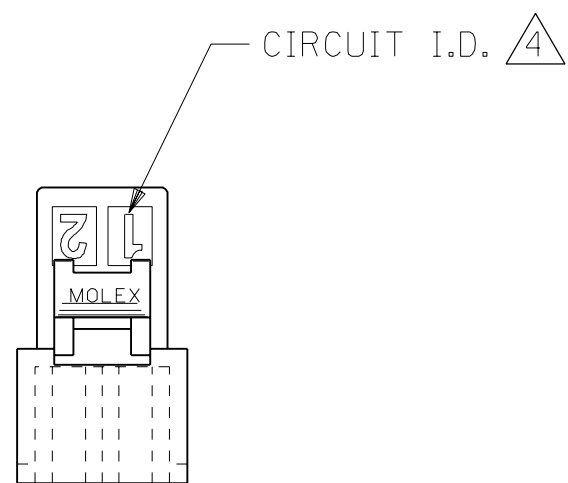
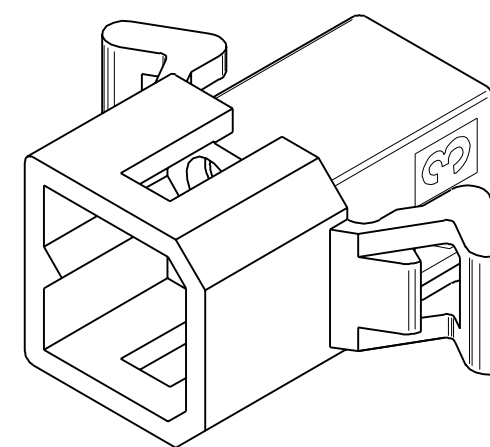
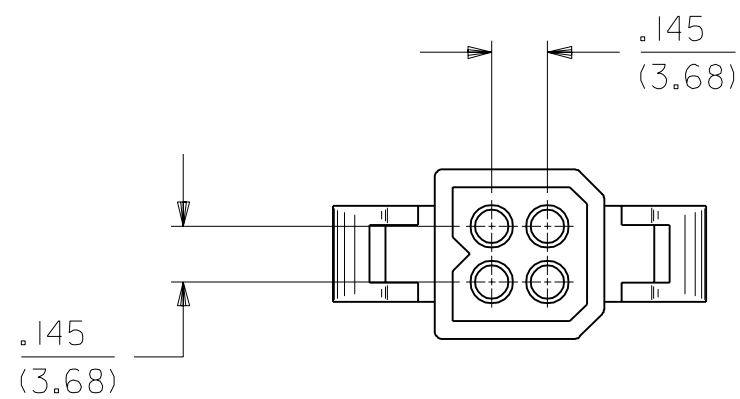
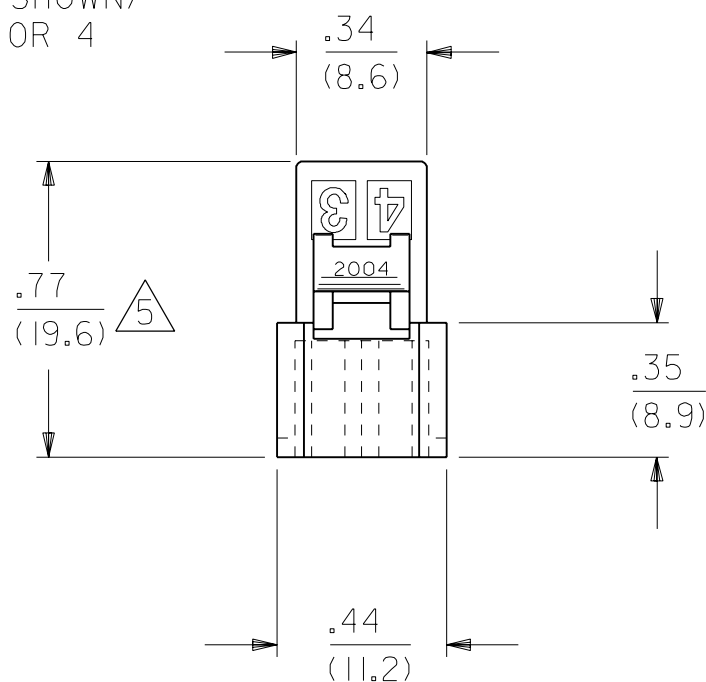


ENG. NO. LOCATION FOR PARTS W/O MTG. EARS



MOUNTING EAR (2 PL.) (PREBENT EAR SHOWN) SEE DETAIL 3 OR 4



PLUG HOUSING

K	3	K		
I	2	I		
K	1	K		
MFG.	SH.	REV.	LTR.	REVISIONS

K	OBSOLETE P/N UCR2002-0270 COMERCI 01/10/1
J2	X-REMOVE PER ECN U3 0816 GWC 5/25/93 RW
J1	X-RELEASE PER ECN U3 0769 GWC 5/18/93 RW
J	REV. PER ECN ECN U2-1825 AFG 92-12-18 RW
I	REDRAWN & REV'D. ON CAD. ECR UI 1774 GWC 8/27/91

DIMENSIONS SHOWN (METRIC) INCH		▽ = 0 ▼ = 0		REVISE ONLY ON CAD SYSTEM																					
UNLESS OTHERWISE SPECIFIED TOLERANCES: ANGULAR ± 10°		TITLE PLUG AND RECEPTACLE HOUSINGS, 4 CIRCUIT .062/(1.57) DIA.																							
<table border="1"> <tr> <th></th> <th>INCH</th> <th>METRIC</th> </tr> <tr> <td>3 PLACE</td> <td>± .010</td> <td>---</td> </tr> <tr> <td>2 PLACE</td> <td>± .014</td> <td>± 0.25</td> </tr> <tr> <td>1 PLACE</td> <td>---</td> <td>± 0.36</td> </tr> </table>			INCH	METRIC	3 PLACE	± .010	---	2 PLACE	± .014	± 0.25	1 PLACE	---	± 0.36	<table border="1"> <tr> <td>DRWG. BY: GWC</td> <td>CHK'D. BY: RW</td> <td>SHEET NO. 1 of 3</td> <td>DATE 8/27/91</td> </tr> <tr> <td>APP'D. BY: RS</td> <td>SCALE 2: 1</td> <td colspan="2">MOLEX INCORPORATED LISLE, ILL. 60532 U.S.A.</td> </tr> </table>				DRWG. BY: GWC	CHK'D. BY: RW	SHEET NO. 1 of 3	DATE 8/27/91	APP'D. BY: RS	SCALE 2: 1	MOLEX INCORPORATED LISLE, ILL. 60532 U.S.A.	
	INCH	METRIC																							
3 PLACE	± .010	---																							
2 PLACE	± .014	± 0.25																							
1 PLACE	---	± 0.36																							
DRWG. BY: GWC	CHK'D. BY: RW	SHEET NO. 1 of 3	DATE 8/27/91																						
APP'D. BY: RS	SCALE 2: 1	MOLEX INCORPORATED LISLE, ILL. 60532 U.S.A.																							
DRAFT WHERE APPLICABLE MUST REMAIN WITHIN DIMENSIONS		PART NO. SEE CHART DRWG. NO. SD-2004-*																							
FILE NAME H2004C4 S04		THIS DRAWING CONTAINS INFORMATION THAT IS PROPRIETARY TO MOLEX INC. AND SHOULD NOT BE USED WITHOUT WRITTEN PERMISSION.																							
		DIV. CP		SIZE C																					

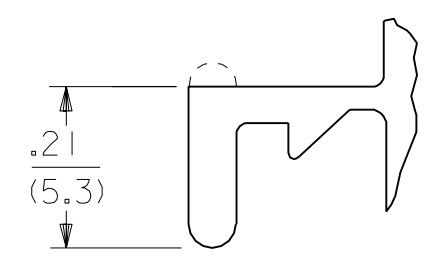
PLUG		
PART NO.	ENG. NO.	
03-06-2043	2004-P	
03-06-7043	2004-PBK	
03-06-2044	2004-P1	
03-06-7044	2004-P1BK	
PRELIMINARY	2004-P2	
03-06-7045	2004-P1RD	<b>OBSOLETE</b>
03-06-7046	2004-P1BN	<b>OBSOLETE</b>
03-06-7047	2004-P1OR	<b>OBSOLETE</b>

RECEPTACLE		
PART NO.	ENG. NO.	
03-06-1043	2004-R	
03-06-6043	2004-RBK	
03-06-1044	2004-R1	
03-06-6044	2004-R1BK	<b>OBSOLETE</b>
03-06-1046	2004-R3	<b>OBSOLETE</b>
03-06-1052	2004-R5	<b>OBSOLETE</b>
03-06-6052	2004-R5BK	<b>OBSOLETE</b>
PRELIMINARY	2004-R2	
03-06-6045	2004-RRD	<b>OBSOLETE</b>
03-06-6046	2004-RBN	<b>OBSOLETE</b>
03-06-6048	2004-ROR	<b>OBSOLETE</b>

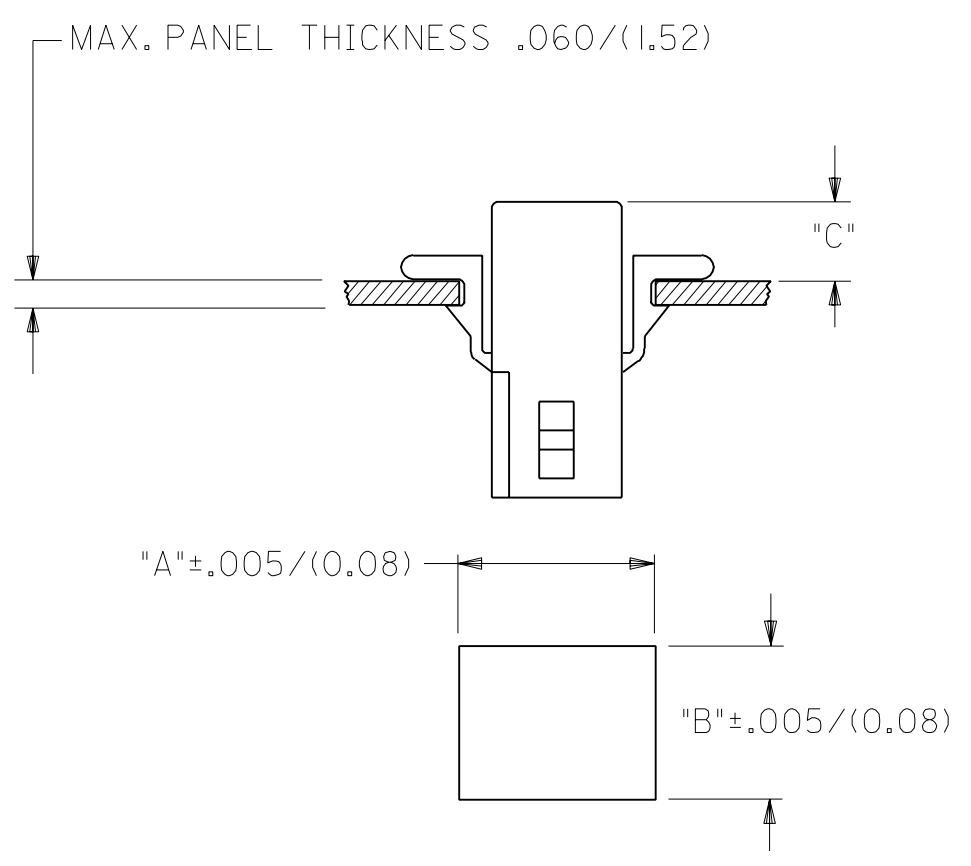
**LEGEND:**

2004-\*\*\*  
 P = PLUG  
 R = RECEPTACLE  
 BLANK = WITH STANDARD EARS  
 1 = WITHOUT EARS  
 2 = WITH PREBENT EARS  
 3 = W/O EARS, W/O DETENTS  
 5 = W/O EARS, WITH POSITIVE LOCKS

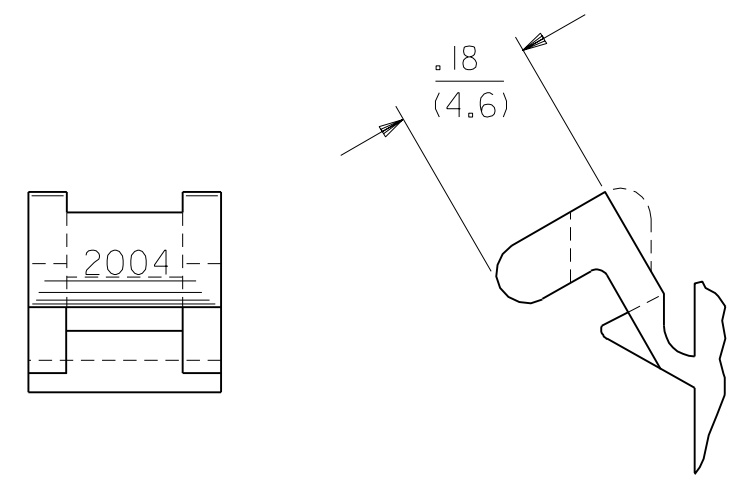
**COLOR:**  
 BLANK = NATURAL  
 AM=AMBER BK=BLACK BU=BLUE  
 BN=BROWN GY=GRAY GN=GREEN  
 OR=ORANGE RD=RED YW=YELLOW



**NOTE:**  
 THIS DRAWING ENCOMPASSES ALL 2004 SERIES HOUSINGS EXCEPT 2004-R7.



- NOTES:**
- MATERIAL - NYLON TYPE 6/6, 94V-2
  - THIS PRODUCT COMPLIES WITH MOLEX PRODUCT SPEC 02-06.
  - HOUSINGS FOR USE WITH MOLEX .062/(1.57) DIA. SERIES TERMINALS.
  - CIRCUIT I.D. NUMBERS ON SIDE OF HOUSING APPEAR ON PARTS FROM TOOLS BUILT AFTER 8/26/91.
  - THIS DIMENSION .020/(0.51) LESS ON TOOLS BUILT PRIOR TO 8/26/91.



**RECOMMENDED HOLE PATTERN**

HOUSING	DIM. "A"	DIM. "B"	PREBENT EAR DIM. "C"	STD. EAR DIM. "C"
PLUG	.615 (15.62)	.465 (11.81)	.26 (6.6)	.26 (6.6)
RECEPTACLE	.506 (12.85)	.400 (10.16)	.24 (6.1)	.24 (6.1)

**DETAIL 4**

PREBENT MOUNTING EARS  
 (SCALE 4:1)

**DETAIL 3**

STANDARD MOUNTING EARS  
 (SCALE 4:1)

DIMENSIONS SHOWN (METRIC) INCH		▽ = 0	▼ = 0	REVISE ONLY ON CAD SYSTEM
UNLESS OTHERWISE SPECIFIED TOLERANCES: ANGULAR ± 10°		TITLE		
INCH METRIC		PLUG AND RECEPTACLE HOUSINGS, 4 CIRCUIT .062/(1.57) DIA.		
3 PLACE ± .010	---	MOLEX INCORPORATED SHEET NO. 3 DATE 8/28/91		
2 PLACE ± .014	± 0.25	LITSLI, ILL. 60532 U.S.A.		
1 PLACE ---	± 0.36	PART NO. SD-2004-*		
DRAFT WHERE APPLICABLE MUST REMAIN WITHIN DIMENSIONS		SEE CHART		
DRWG. BY JJS	CHK'D. BY RW	FILE NAME H2004C4_S06		
APP'D. BY RS	SCALE 2 : 1	THIS DRAWING CONTAINS INFORMATION THAT IS PROPRIETARY TO MOLEX INC. AND SHOULD NOT BE USED WITHOUT WRITTEN PERMISSION.		
LTR.	REVISIONS	LTR.	REVISIONS	CP C