

PLEASE CHECK WWW.MOLEX.COM FOR LATEST PART INFORMATION

Part Number: [0014441621](#)
Status: **Active**
Overview: [cgrid_sl_products](#)
Description: 2.54mm (.100") Pitch SL™ Insulation Displacement Connector Assembly, Male, Single Row, Version D, Back Ribs, for Wire Size 26, 0.38µm (15µ") Gold (Au), 21 Circuits

Documents:

[3D Model](#) [Product Specification PS-70400 \(PDF\)](#)
[Drawing \(PDF\)](#) [RoHS Certificate of Compliance \(PDF\)](#)

Agency Certification

CSA LR19980
 UL E29179

General

Product Family Ribbon Cable / Wire Trap Connectors
 Series [70475](#)
 Comments Terminals Preloaded
 Component Type Housing
 Glow-Wire Compliant No
 Overview [cgrid_sl_products](#)
 Product Name SL™

Physical

Circuits (Loaded) 21
 Durability (mating cycles max) 50
 Entry Angle Vertical
 Flammability 94V-0
 Lock to Mating Part None
 Number of Rows 1
 PCB Retention None
 Packaging Type Tube
 Pitch - Mating Interface (in) 0.100 In
 Pitch - Mating Interface (mm) 2.54 mm
 Polarized to Mating Part No
 Stackable Yes
 Surface Mount Compatible (SMC) N/A
 Temperature Range - Operating -40°C to +105°C
 Wire Insulation Diameter 1.35mm (.053") max.
 Wire Size AWG 26
 Wire/Cable Type Discrete Wire, Ribbon Cable

Electrical

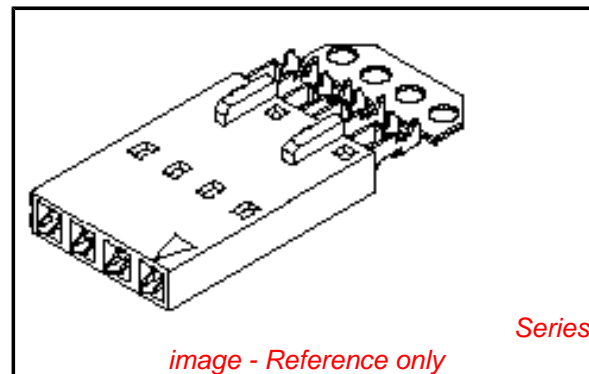
Current - Maximum per Contact 1.8A
 Voltage - Maximum 250V

Material Info

Old Part Number 70475-0790

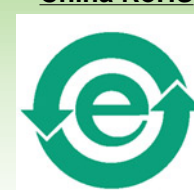
Reference - Drawing Numbers

Product Specification PS-70400



EU RoHS
ELV and RoHS
Compliant
REACH SVHC
Not Reviewed
Halogen-Free
Status
Not Reviewed

China RoHS



Need more information on product environmental compliance?

Email productcompliance@molex.com
 For a multiple part number RoHS Certificate of Compliance, [click here](#)

Please visit the [Contact Us](#) section for any non-product compliance questions.

Search Parts in this Series

[70475Series](#)

Mates With

[70004](#) Interim Clip (Single Row), [70013](#) Interim Clip (Dual Row)

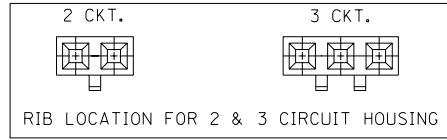
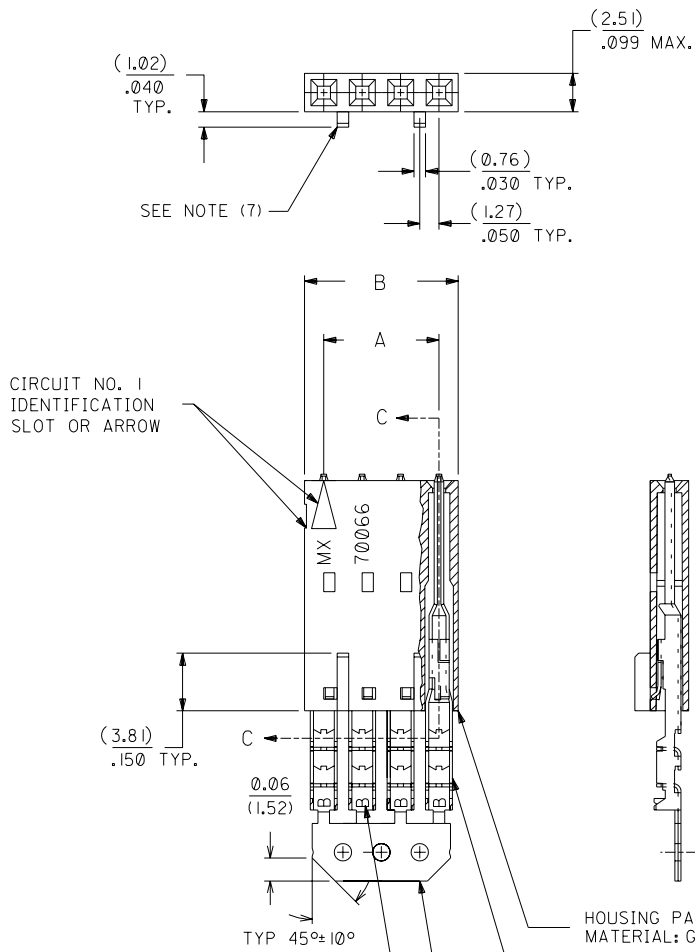
Use With

[7307](#) Tinned 28AWG, [7767](#) Topcoat 28AWG, [24241](#) Tinned 26AWG, [8996](#) Topcoat 26AWG, [24226](#) Tinned 24AWG, [8997](#) Topcoat 24AWG, [24369](#) High Flex 26AWG, [24389](#) High Flex 24AWG

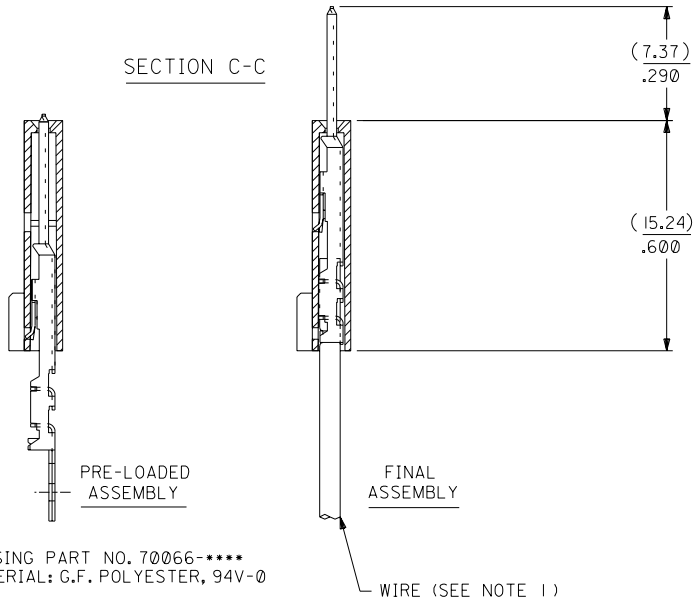
OPTION D

NOTES:

- 1) TO BE USED WITH (26) AWG. STRANDED WIRE WITH (1.35)/.053 DIA. MAX. INSULATION.
- 2) SEE CHART FOR CIRCUIT SIZES.
- 3) STANDARD PACKAGING PER PK-70873-0001. OPTIONAL PACKAGING MAY BE AVAILABLE, REQUEST DWG. PK-70475.
- 4) PARTS STACKABLE END TO END ON (2.54)/.100 CENTERS.
- 5) REFER TO PRODUCT SPECIFICATION: PS-70475.
- 6) SEE DWG. SDA-70475-***** (SHT.3) FOR OPTIONAL HOUSING DETAILS.
- 7) 4 CIRCUIT SHOWN. 3 - 25 CKT'S. HAVE (2) RIBS.
- 8) TO MATE WITH MOLEX PART NO'S.: 70018-****, 70022-****, 70104-****.
- 9) 2 CIRCUIT ASSEMBLIES SUPPLIED AS GROUPED PAIRS.



SECTION C-C



HOUSING PART NO. 70066-****
MATERIAL: G.F. POLYESTER, 94V-0

TERMINAL PART NO. 70110-****
MATERIAL: PHOSPHOR BRONZE
PLATING PER ES-88-***

15 GOLD - .000015 MINIMUM GOLD IN SELECT AREA WITH
.000075 MINIMUM TIN
IN SELECT AREA OVER .000050 MINIMUM NICKEL
OVER-ALL.

*THE PRIMARY SHIPPING CARTON WILL BE LABELED "COMPLIANT TO
RoHS DIRECTIVE 2002/95/EC AND ELV ANNEX II OF DIRECTIVE 2000/53/EC".
CARTONS WITHOUT THIS LABEL MAY CONTAIN PRODUCT WITH LEAD.

I.D. SLOT CODE TO WIRE GAUGE CHART	
I.D. SLOT CODE	WIRE GAUGE
B	26 AWG.

PLATING CODE (STRIPE ON CARRIER STRIP)	
PLATING	COLOR
15 GOLD	YELLOW

CKT. SIZE	DIMENSIONS (INCH)		EDP. NO.	ENG. NO.
	A	B		
2	(2.54) .100	(5.05) .199	14-44-1602	A-70475-0771
3	(5.08) .200	(7.59) .299	14-44-1603	A-70475-0772
4	(7.62) .300	(10.13) .399	14-44-1604	A-70475-0773
5	(10.16) .400	(12.67) .499	14-44-1605	A-70475-0774
6	(12.70) .500	(15.21) .599	14-44-1606	A-70475-0775
7	(15.24) .600	(17.75) .699	14-44-1607	A-70475-0776
8	(17.78) .700	(20.29) .799	14-44-1608	A-70475-0777
9	(20.32) .800	(22.83) .899	14-44-1609	A-70475-0778
10	(22.86) .900	(25.37) .999	14-44-1610	A-70475-0779
11	(25.54) 1.000	(27.91) 1.099	14-44-1611	A-70475-0780
12	(27.94) 1.100	(30.45) 1.199	14-44-1612	A-70475-0781
13	(30.48) 1.200	(32.99) 1.299	14-44-1613	A-70475-0782
14	(33.02) 1.300	(35.53) 1.399	14-44-1614	A-70475-0783
15	(35.56) 1.400	(38.07) 1.499	14-44-1615	A-70475-0784
16	(38.01) 1.500	(40.61) 1.599	14-44-1616	A-70475-0785
17	(40.64) 1.600	(43.15) 1.699	14-44-1617	A-70475-0786
18	(43.18) 1.700	(45.69) 1.799	14-44-1618	A-70475-0787
19	(45.72) 1.800	(48.23) 1.899	14-44-1619	A-70475-0788
20	(48.26) 1.900	(50.77) 1.999	14-44-1620	A-70475-0789
21	(50.80) 2.000	(53.31) 2.099	14-44-1621	A-70475-0790
22	(53.34) 2.100	(55.85) 2.199	14-44-1622	A-70475-0791
23	(55.88) 2.200	(58.39) 2.299	14-44-1623	A-70475-0792
24	(58.42) 2.300	(60.93) 2.399	14-44-1624	A-70475-0793
25	(60.96) 2.400	(63.47) 2.499	14-44-1625	A-70475-0794

LTR.	REVISIONS	LTR.	REVISIONS

DRWG. BY	CHK'D. BY	SCALE
WAZ	WAZ	4 : 1

DIMENSIONS SHOWN (METRIC) INCH
 UNLESS OTHERWISE SPECIFIED
 TOLERANCES: ANGULAR ± 1/2°
 3 PLACE ± .010 INCH --- METRIC
 2 PLACE ± .014 ± 0.25 INCH --- METRIC
 1 PLACE --- ± 0.35 INCH --- METRIC
 DRAFT WHERE APPLICABLE MUST REMAIN WITHIN DIMENSIONS
 REVISIONS: REVISED PER ECR NO. U82124 10-17-88 MGB; REVERSE PER ECR #U81370 5/20/88 MJM; REDRAWN ON CAD ECR# 8842 5/23/86 W.Z.
 MFG. SH. REV. =
 REVISE ONLY ON CAD SYSTEM
 TITLE: ASSEMBLY, SL CONNECTOR (SINGLE ROW- (2.54)/.100 GRID)
 MOLEX INCORPORATED, SHEET NO. 1, DATE 10/13/84
 PART NO. SDA-70475-0771-0794
 SEE CHART
 THIS DRAWING CONTAINS INFORMATION THAT IS PROPRIETARY TO MOLEX INC. AND SHOULD NOT BE USED WITHOUT WRITTEN PERMISSION.