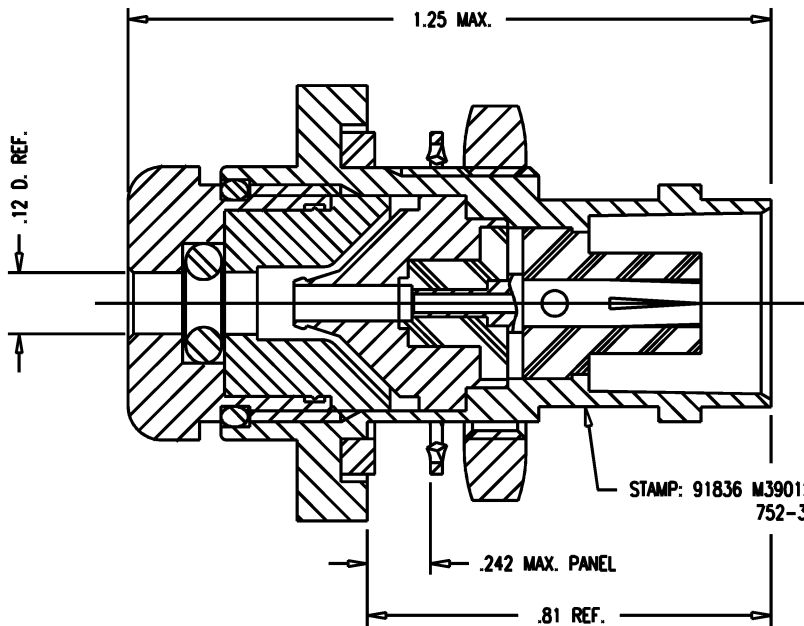


DASH NO.	M CODE	MADE FROM
----------	--------	-----------

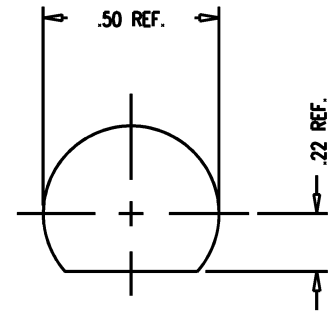
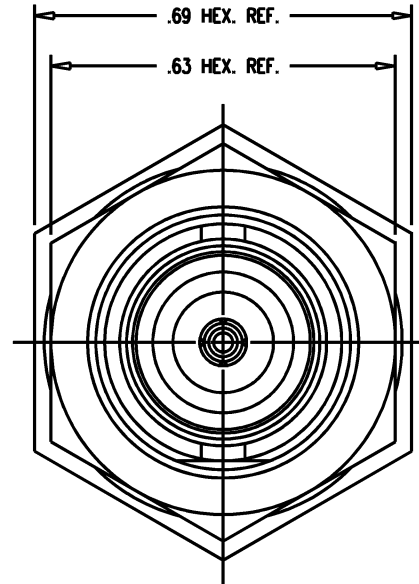
# GSD

M39012/19-0220

REVISIONS	
ISSUE	CHANGES
0	ER 35221 MJB 01/25/94



STAMP: 91836 M39012/19-0220  
752-34-5 XX XX  
DATE CODE



MOUNTING HOLE

- NOTES:
- FOR USE WITH M17/113-RG316 & /119-RG174 CABLE.
  - FOR CABLING INSTRUCTIONS SEE 3-562.
  - INTERFACE PER MIL-STD-348, FIG. 301-2.
  - MATERIALS:  
INSULATORS: TEFLON, ASTM-D-1457  
GASKET & O-RINGS: SIL. RUB., ZZ-R-765  
LOCKWASHER: PHOS. BRONZE, QQ-B-750  
CENTER CONTACT: BER. COP., ASTM-B-196  
ALL OTHER PARTS: BRASS, QQ-B-626
  - FINISHES:  
CENTER CONTACT: HARD GOLD PLT. PER MIL-G-45204  
ALL OTHER METAL PARTS: SILVER PLT. PER QQ-S-365
  - ELECTRICAL CHARACTERISTICS:  
NOMINAL IMPEDANCE: 50 OHMS  
VOLTAGE RATING: 500 VRMS  
FREQUENCY RANGE: DC TO 4 GHz

DET1110

SCALE	4:1
APPROX SURFACE AREA	752-34-5
USED ON	
REF:	
BULK. JACK, BNC, W/P TAPER GRIP	
DRAWN	MJB DATE 09/28/92
DESIGN	MJB DATE 01/26/94
APPR.	VLS DATE 02/01/94

**KINGS**  
ELECTRONICS CO., INC.  
TUCKAHOE, NEW YORK 10707

M39012/19-0220

# GSD