

# Single-Chip Global Positioning System Receiver Front-End

## General Description

The MAX2742 complete single-chip global positioning system (GPS) RF front-end utilizes many innovative and leading-edge RF CMOS design techniques. This high-performance, state-of-the-art device consumes extremely low power and eliminates the need for costly SAW and bulky discrete IF filters. The MAX2742 incorporates a fully integrated low-noise amplifier (LNA) and mixer, IF section, digital sampler, and local oscillator synthesizer.

The intended input signal for the MAX2742 is the L1 GPS signal 1.57542GHz. This device supports high-accuracy output quantization, which delivers the best performance obtainable for the GPS receiver. The power consumption of the MAX2742 is as low as 32mW at a +2.4V supply.

The MAX2742 is available in a space-saving 48-pin TQFP package and is specified for the extended (-40°C to +85°C) temperature range.

## Applications

- In-Vehicle Navigation Systems (IVNS)
- Location-Based Services (PDAs and Accessories)
- Recreational Handheld/Walkie Talkies
- Geographical Information Systems (GISs)
- Telematics (Vehicle, Asset Tracking, and Inventory Management)
- Emergency Roadside Assistance
- Emergency Response Systems
- Digital Cameras/Camcorders
- Consumer Electronics

## Features

- ◆ Complete Single-Chip GPS Front-End Receiver
- ◆ Single-Ended or Differential Outputs at 1.023MHz
- ◆ Low 4.5dB Typical Noise Figure
- ◆ No External IF SAW or Discrete Filters Required
- ◆ Very Low 32mW Power Consumption at +2.4V
- ◆ Wide +2.4V to +3.6V Operational Supply Voltage Range
- ◆ Extended -40°C to +85°C Temperature Range

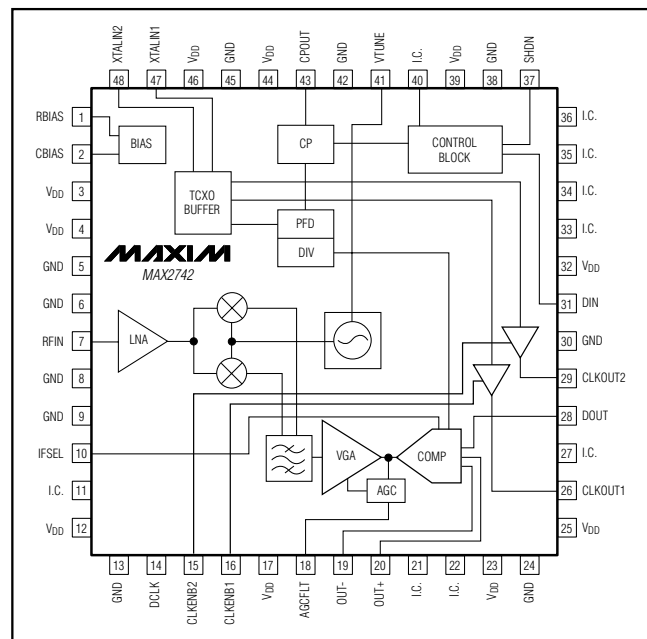
## Ordering Information

PART	TEMP RANGE	PIN-PACKAGE
MAX2742ECM	-40°C to +85°C	48 TQFP-EP*
MAX2742ECM+	-40°C to +85°C	48 TQFP-EP*

\*EP = Exposed paddle.

+Denotes lead-free package.

## Block Diagram/ Pin Configuration

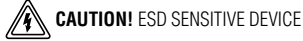


# Single-Chip Global Positioning System Receiver Front-End

## ABSOLUTE MAXIMUM RATINGS

V<sub>DD</sub> to GND .....-0.3V to +3.7V  
 All Other Pins to GND .....-0.3V to (V<sub>DD</sub> + 0.3V)  
 RF LNA Input Power .....+10dBm  
 Continuous Power Dissipation (T<sub>A</sub> = +70°C)  
 48-Pin TQFP-EP (derate 12.5mW/°C above +70°C) .... 100mW

Operating Temperature Range .....-40°C to +85°C  
 Junction Temperature .....+150°C  
 Storage Temperature Range .....-65°C to +150°C  
 Soldering Temperature (10s) .....+300°C



Stresses beyond those listed under "Absolute Maximum Ratings" may cause permanent damage to the device. These are stress ratings only, and functional operation of the device at these or any other conditions beyond those indicated in the operational sections of the specifications is not implied. Exposure to absolute maximum rating conditions for extended periods may affect device reliability.

## DC ELECTRICAL CHARACTERISTICS

(MAX2742 EV kit, V<sub>DD</sub> = +2.4V to +3.6V, SHDN = V<sub>DD</sub>, T<sub>A</sub> = -40°C to +85°C. Typical values are at V<sub>DD</sub> = +3V and T<sub>A</sub> = +25°C, unless otherwise noted.)

PARAMETER	CONDITIONS	MIN	TYP	MAX	UNITS
Supply Voltage		2.4		3.6	V
Supply Current	V <sub>DD</sub> = +3.0V, T <sub>A</sub> = +25°C (Note 1)		14	20	mA
	Shutdown mode		10		μA
Logic-Input High Voltage		V <sub>DD</sub> - 0.5			V
Logic-Input Low Voltage				0.5	V
Logic-Input Bias Current		-40		+40	μA

## AC ELECTRICAL CHARACTERISTICS

(MAX2742 EV kit, V<sub>DD</sub> = +2.4V to +3.6V, SHDN = V<sub>DD</sub>, T<sub>A</sub> = -40°C to +85°C. Typical values are at V<sub>DD</sub> = +3V and T<sub>A</sub> = +25°C, unless otherwise noted.)

PARAMETER	CONDITIONS	MIN	TYP	MAX	UNITS
<b>GENERAL PERFORMANCE</b>					
Maximum Conversion Gain	(Notes 2, 3)		102	117	dB
Input Frequency			1575.42		MHz
Noise Figure	Measured at quantizer input		4.5		dB
Return Loss (S11)			-15		dB
LNA/Mixer Input IP3	f <sub>1</sub> = 1.5MHz and f <sub>2</sub> = 2.0MHz above carrier frequency		-32		dBm
Output IF Frequency			1.023		MHz
<b>OUTPUT STAGE</b>					
Output Rise/Fall Time	Differential (VOUT+, VOUT-), C <sub>L</sub> < 20pF		25		ns
	Single ended (DOUT), C <sub>L</sub> < 20pF		5		
Output-Voltage-Level Low	Differential		V <sub>DD</sub> - 0.9		V
	Single ended		0		
Output-Voltage-Level High	Differential		V <sub>DD</sub>		V
	Single ended		V <sub>DD</sub>		

# Single-Chip Global Positioning System Receiver Front-End

MAX2742

## AC ELECTRICAL CHARACTERISTICS (continued)

(MAX2742 EV kit,  $V_{DD} = +2.4V$  to  $+3.6V$ ,  $SHDN = V_{DD}$ ,  $T_A = -40^{\circ}C$  to  $+85^{\circ}C$ . Typical values are at  $V_{DD} = +3V$  and  $T_A = +25^{\circ}C$ , unless otherwise noted.)

PARAMETER	CONDITIONS	MIN	TYP	MAX	UNITS
<b>SYNTHESIZER</b>					
TCXO Input Frequency	Fundamental frequency crystal		18.414		MHz
Charge-Pump Current			0.4		mA
Phase Noise	$f_{OFFSET} = 10kHz$ offset, $BW_{LOOP} = 70kHz$		-71		dBc/Hz
	$f_{OFFSET} = 1MHz$ offset, $BW_{LOOP} = 70kHz$		-106		
Comparison Frequency Spur	$BW_{LOOP} = 70kHz$		-66		dBc
VCO Turning Range	(Notes 2, 3)	148	210	277	MHz
VCO Tuning Gain	(Notes 2, 3)	139	200	305	MHz/V
<b>IF STAGE</b>					
IF Stage Gain	VGA set at maximum gain		77		dB
Dynamic Range IF Stage Gain			50		dB
Bandpass Filter 1dB Corner Frequency	Low-frequency corner		0.1		MHz
	High-frequency corner		3.2		
Bandpass Filter 60dB High-Side Rejection			5.0		MHz
Image Rejection			18		dB
In-Band Ripple			1		dB
AGC Loop Lock Time			1		ms

**Note 1:** At  $T_A = +25^{\circ}C$ , min/max limits are guaranteed by production test.

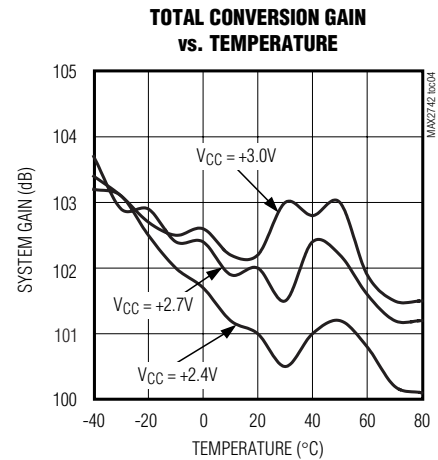
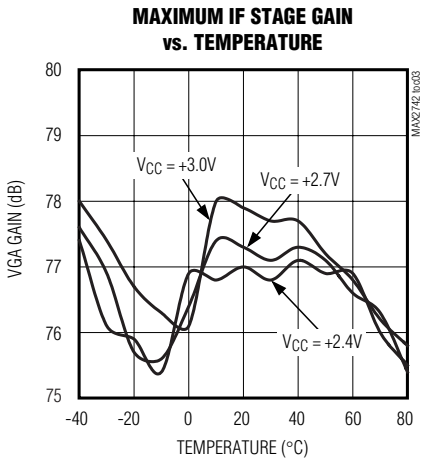
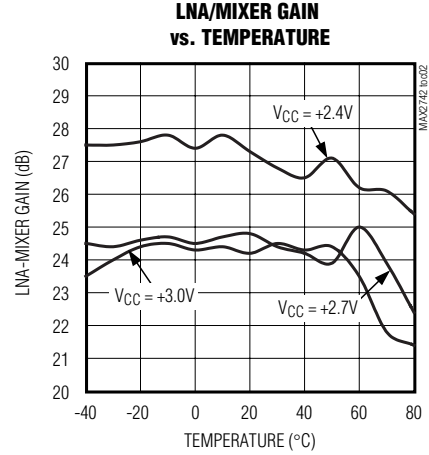
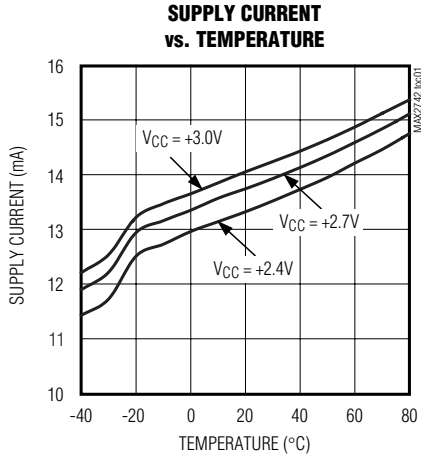
**Note 2:** At  $T_A = -40^{\circ}C$ , min/max limits are guaranteed by design and characterization.

**Note 3:** At  $T_A = +25^{\circ}C$  and  $+85^{\circ}C$ , min/max limits are guaranteed by production test.

# Single-Chip Global Positioning System Receiver Front-End

## Typical Operating Characteristics

(MAX2742 EV kit,  $V_{DD} = +3V$ , and  $T_A = +25^\circ C$ , unless otherwise noted.)



# Single-Chip Global Positioning System Receiver Front-End

## Pin Description

MAX2742

PIN	NAME	FUNCTION
1	RBIAS	External Bias Resistor. Connect a 100k $\Omega$ $\pm$ 1% resistor in parallel with a 0.1 $\mu$ F capacitor in series with a 71k $\Omega$ resistor to GND.
2	CBIAS	External Bias Capacitor. Connect a 0.1 $\mu$ F capacitor to GND.
3, 4, 12, 17, 23, 25, 32, 39, 44, 46	VDD	Supply Voltage. Bypass to GND with a capacitor as close to the pin as possible.
5, 6, 8, 9, 13, 24, 30, 38, 42, 45	GND	Ground. Connect to PC board ground plane.
7	RFIN	LNA Input. Requires external matching network.
10	IFSEL	IF Output Select. Selects output type. Drive high for single-ended output, drive low for differential output.
11, 21, 22, 27, 33–36, 40	I.C.	Internally Connected. Leave unconnected.
14	DCLK	Digital Control Clock
15	CLKENB2	Clock Output Enable 2. Drive high to enable limited-swing clock output.
16	CLKENB1	Clock Output Enable 1. Drive high to enable full-swing clock output.
18	AGCFLT	AGC External Filter
19, 20	OUT-, OUT+	Differential Comparator Outputs
26	CLKOUT1	Full-Swing Clock Output
28	DOUT	Digital Output
29	CLKOUT2	Limited-Swing Clock Output
31	DIN	Digital-Control Data Input
37	SHDN	Shutdown. Drive SHDN high to disable all device functions. Drive SHDN low for normal operation.
41	VTUNE	VCO Tuning Input
43	CPOUT	Charge-Pump Output. Connect directly to loop filter.
47, 48	XTALIN1, XTALIN2	Connect XTALIN1 and XTALIN2 together and to the TCXO output through a coupling capacitor.
EP	GND	Exposed Paddle. Connect to PC board ground plane for optimal performance.

# Single-Chip Global Positioning System Receiver Front-End

## Detailed Description

### LNA/Mixer

The RF input from the GPS antenna is fed through an LNA with a 24dB gain. The amplified signal is then fed to a mixer that downconverts the signal (1575.42MHz) to a quadrature differential IF of 1.023MHz.

### IF Stage

The quadrature IF signals pass through the IF filter, which rejects the out-of-band spurs by more than 60dB and the image noise by 18dB (typ). After the image reject filter, the signal is converted from quadrature to differential. The filtered IF signal is then amplified by the AGC block, which sets the VGA output signal level to a predetermined value through the application using 50dB of dynamic range. The internal offset-cancellation mechanism generates a highpass characteristic for the IF section with a 1dB corner frequency of about 100kHz.

### IF Output Selection

The sampled outputs of the GPS signal are available in a single-ended or differential format. The IFSEL pin controls the output format.

### Synthesizer

An on-chip VCO provides quadrature differential LO signals to the downconverting mixer and controls the frequency. An on-board TCXO generates the reference frequency. The integrated synthesizer includes the

VCO, TCXO buffer, main frequency divider, phase-frequency detector, and charge pump. It uses an off-chip PLL loop filter and TCXO. Connect the output of the TCXO to XTALIN1 and XTALIN2 through a coupling capacitor.

The main division ratio for the synthesizer is 684. With this division ratio, a low-side injection LO can be synthesized with an 18.414MHz TXCO.

## Applications Information

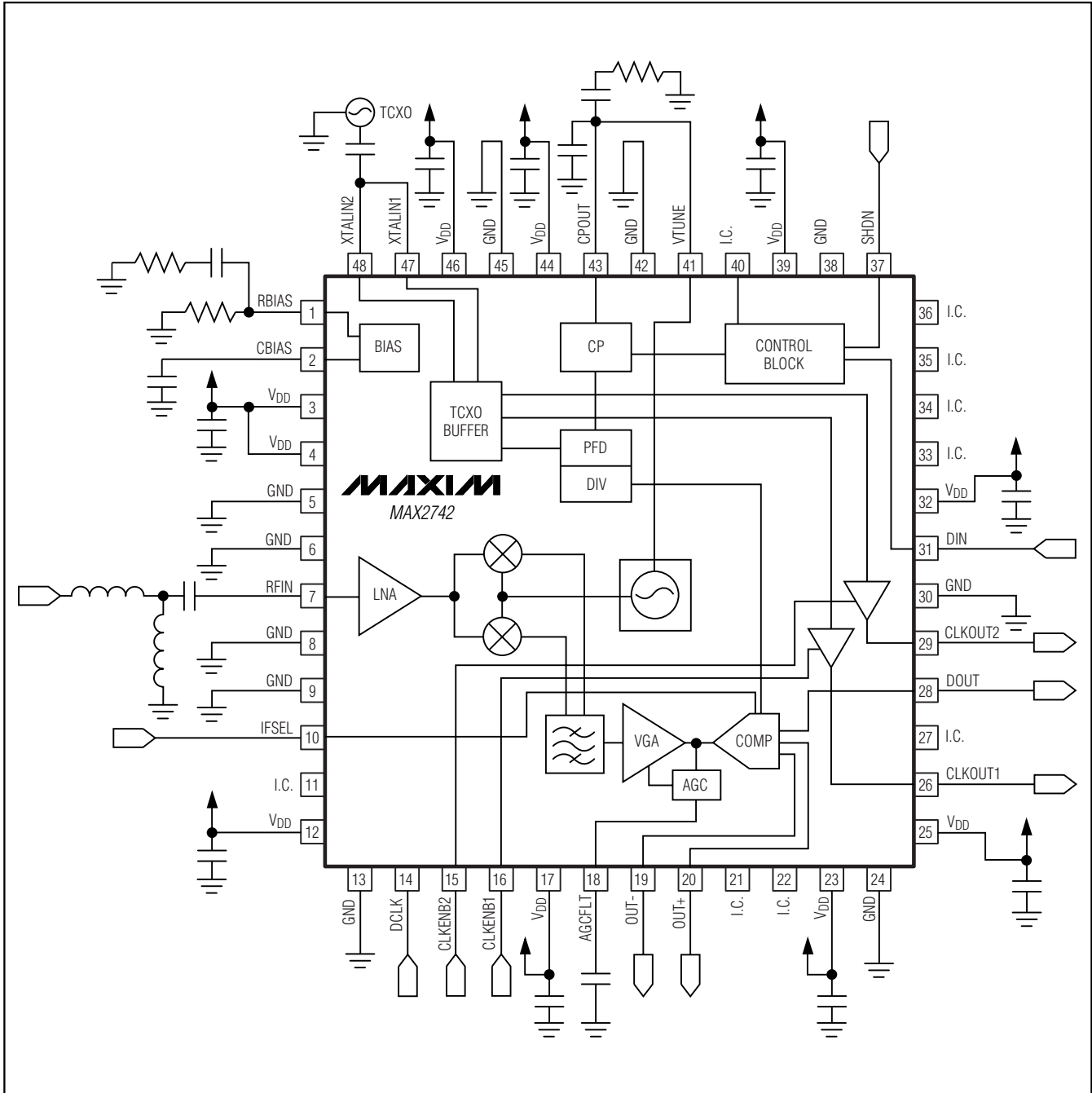
### Layout Issues

A properly designed PC board is an essential part of any RF/microwave circuit. On all high-frequency inputs and outputs, use controlled impedance lines and keep them as short as possible to minimize losses and radiation. Keeping the traces short also reduces parasitic inductance. To further reduce the parasitic inductance, use wider traces and a solid ground or power plane below the signal traces. Also, place decoupling capacitors as close to the supply pins as possible. For proper power dissipation and operation, connect the metal exposed paddle solidly to the ground plane of the PC board.

# Single-Chip Global Positioning System Receiver Front-End

## Typical Application Circuit

MAX2742



### Chip Information

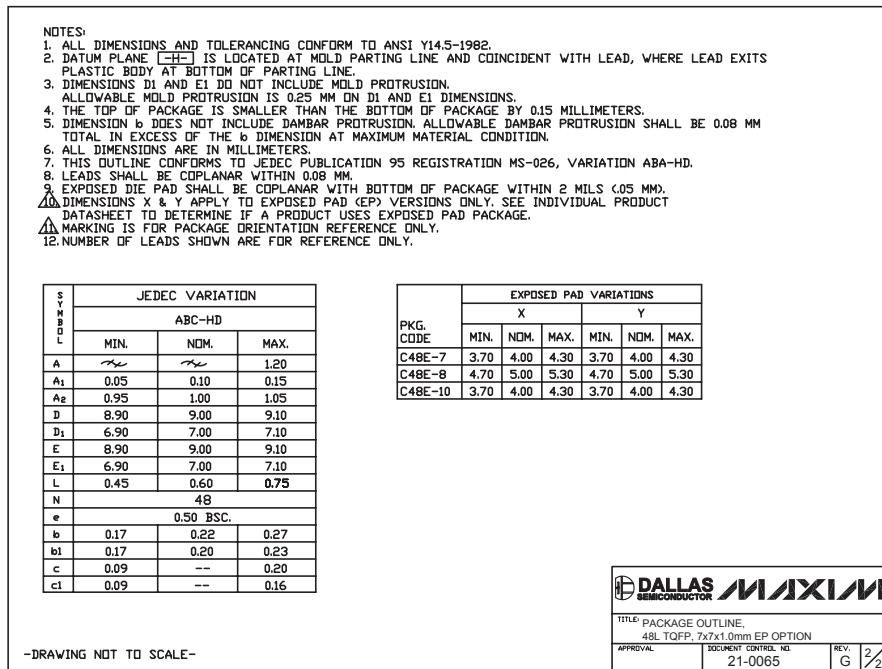
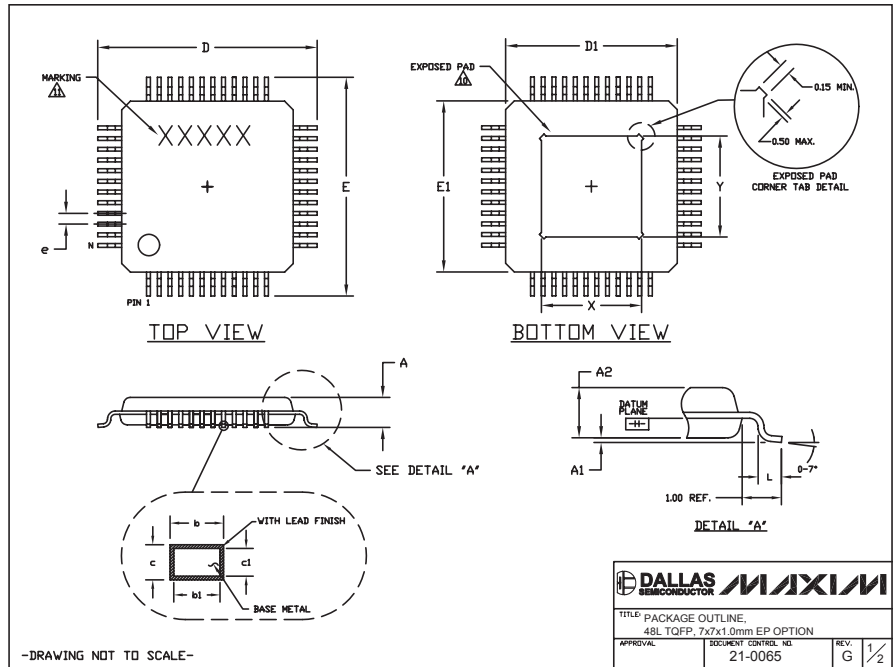
PROCESS: CMOS

TRANSISTOR COUNT: 18443

# Single-Chip Global Positioning System Receiver Front-End

## Package Information

(The package drawing(s) in this data sheet may not reflect the most current specifications. For the latest package outline information go to [www.maxim-ic.com/packages](http://www.maxim-ic.com/packages).)



Maxim cannot assume responsibility for use of any circuitry other than circuitry entirely embodied in a Maxim product. No circuit patent licenses are implied. Maxim reserves the right to change the circuitry and specifications without notice at any time.

8 **Maxim Integrated Products, 120 San Gabriel Drive, Sunnyvale, CA 94086 408-737-7600**



SITE  
SEARCHPART NO.  
SEARCH

WHAT'S NEW

PRODUCTS

SOLUTIONS

DESIGN

APPNOTES

SUPPORT

BUY

COMPANY

MEMBERS

## MAX2742

### Part Number Table

#### Notes:

1. See the [MAX2742 QuickView Data Sheet](#) for further information on this product family or download the [MAX2742 full data sheet](#) (PDF, 168kB).
2. Other options and links for purchasing parts are listed at: <http://www.maxim-ic.com/sales>.
3. [Didn't Find What You Need?](#) Ask our applications engineers. Expert assistance in finding parts, usually within one business day.
4. Part number suffixes: T or T&R = tape and reel; + = RoHS/lead-free; # = RoHS/lead-exempt. More: See [full data sheet](#) or [Part Naming Conventions](#).
5. \* Some packages have variations, listed on the drawing. "PkgCode/Variation" tells which variation the product uses.

Part Number	Free Sample	Buy Direct	Package: TYPE PINS SIZE DRAWING CODE/VAR *	Temp	RoHS/Lead-Free? Materials Analysis
MAX2742ECM+TD	<input type="checkbox"/>	<input type="checkbox"/>		-40C to +85C	RoHS/Lead-Free: <a href="#">Yes</a>
MAX2742EVKIT	<input type="checkbox"/>	<input type="checkbox"/>			RoHS/Lead-Free: <a href="#">No</a>
MAX2742ECM+D	<input type="checkbox"/>	<input type="checkbox"/>	TQFP;48 pin;7x7x1 mm Dwg: <a href="#">21-0065G</a> (PDF) Use pkgcode/variation: C48E+8*	-40C to +85C	RoHS/Lead-Free: <a href="#">Yes</a> <a href="#">Materials Analysis</a>
MAX2742ECM-C0A	<input type="checkbox"/>	<input type="checkbox"/>	TQFP;48 pin;7x7x1 mm Dwg: <a href="#">21-0065G</a> (PDF) Use pkgcode/variation: C48E-8*	-40C to +85C	RoHS/Lead-Free: <a href="#">No</a> <a href="#">Materials Analysis</a>

[Didn't Find What You Need?](#)[CONTACT US: SEND US AN EMAIL](#)