

# Surface Mount Noise Sources

## NC501SM-28

### 200 kHz to 500 MHz



### Specifications

RF Frequency	200 kHz to 500 MHz
Noise Output	31 dB Min ENR
Noise Spectral Density ( $N_o$ )	-143 dBm/Hz Min
Flatness	2 dB P-P Max
Peak Factor	5:1
Bias Voltage	28 V
Supply Current	10 mA Max
Impedance	50 ohms

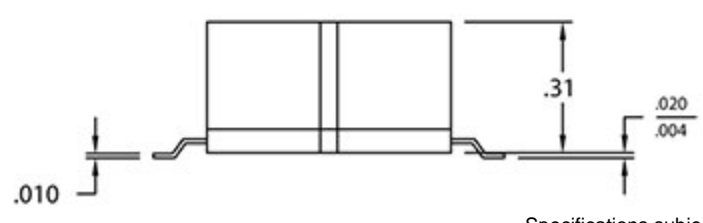
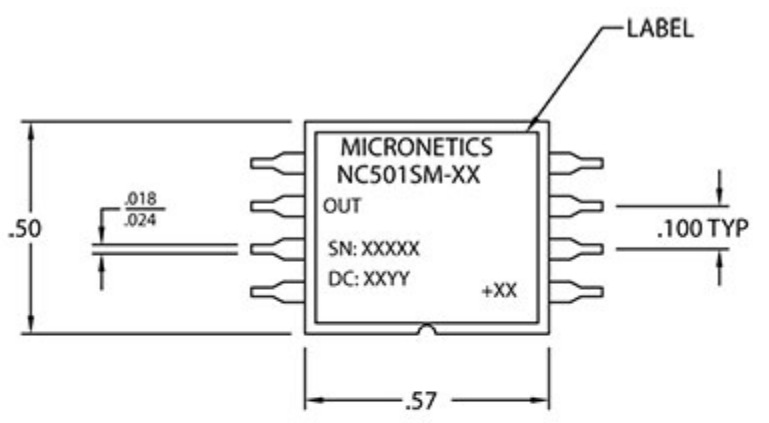
### Package and Connectivity

Construction	Axial Lead
--------------	------------

### Environmental

Operating Temperature	0 to 70 °C
Storage Temperature	-65 to 125 °C

### Notes



Specifications subject to change without notice



