

# Surface Mount Noise Sources NC504SM-15 200 kHz to 3.5 GHz



## Specifications

RF Frequency	200 kHz to 3.5 GHz
Noise Output	31 dB Min ENR
Noise Spectral Density ( $N_o$ )	-143 dBm/Hz Min
Flatness	2 dB P-P Max
Peak Factor	5:1
Bias Voltage	15 V
Supply Current	10 mA Max
Impedance	50 ohms

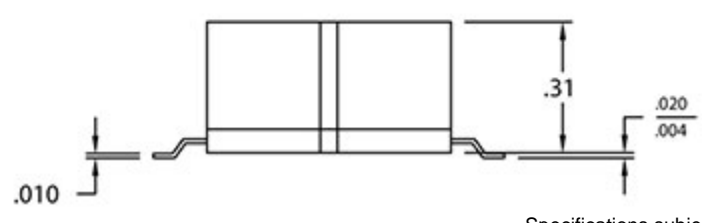
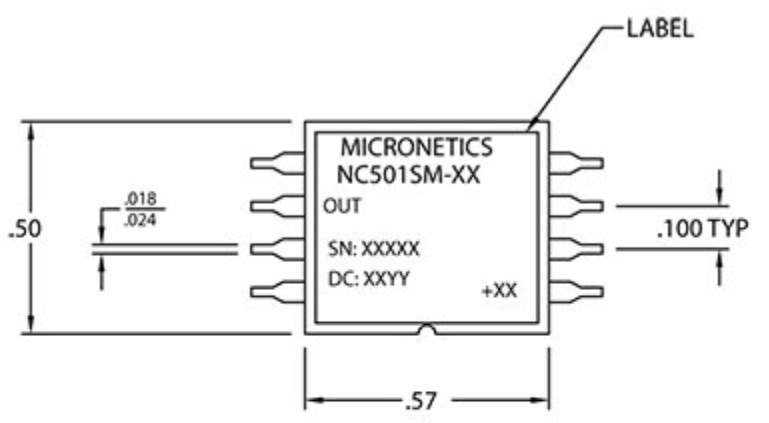
## Package and Connectivity

Construction	Axial Lead
--------------	------------

## Environmental

Operating Temperature	0 to 70 °C
Storage Temperature	-65 to 125 °C

## Notes



Specifications subject to change without notice



