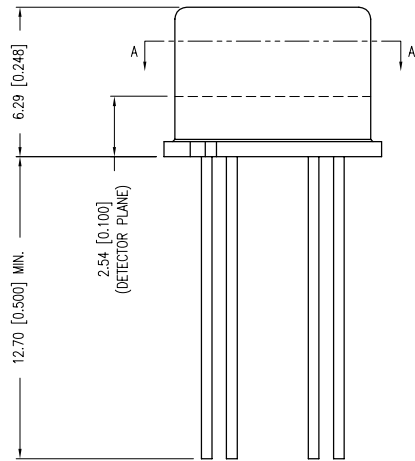


PIN FUNCTION TABLE

PIN NO.	FUNCTION	FILTER
1	COMMON	--
3	ELEM 2	3.85µm
4	ELEM 3	4.26µm
8	ELEM 4	4.60µm
9	ELEM 1	3.34µm

FILTER SPECIFICATIONS

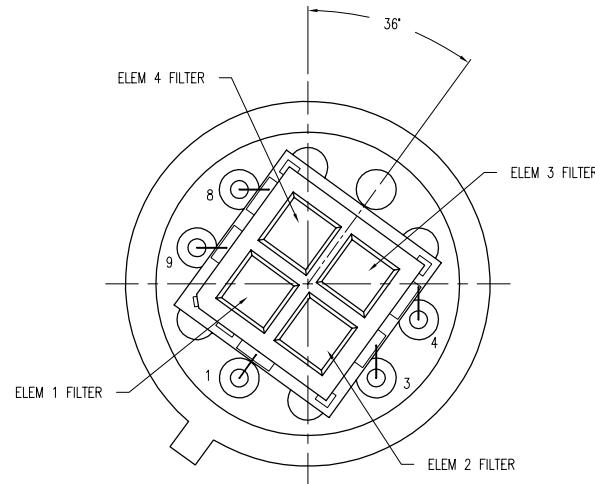
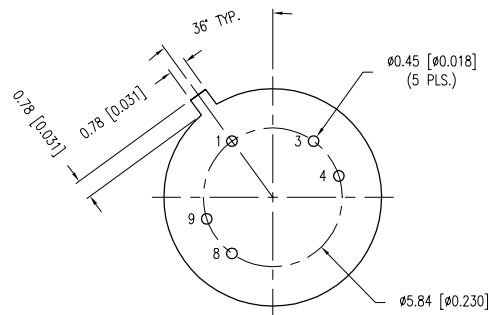
	CWL (µm)	HBW (µm)	TRANSMISSION AT CWL (%)	BW AT 75% TRANSMISSION (µm)
CO2	4.62±.04	±.07 ±.007	>85	>.75 x HBW
CO	4.60±.05	±.07 ±.007	>85	>.75 x HBW
HC	3.34±.03	±.07 ±.007	>55	>.75 x HBW
REF	3.85±.04	±.10 ±.01	>85	>.75 x HBW



SPECIFICATIONS

STANDARD SPECIFICATIONS: ELECTRICAL  
 ALL DETECTOR SPECIFICATIONS ARE AT A BIAS VOLTAGE OF 35V/mm DISTANCE BETWEEN ELECTRODES APPLIED ACROSS THE DETECTOR AND WITH A 1MΩ LOAD RESISTOR IN SERIES.

	MIN.	TYP.	MAX.	UNITS
WAVELENGTH OF MAX. RESPONSE		3.8		µm
D*(500K, 1000Hz, 1Hz)	1.0x10 <sup>8</sup>	1.5x10 <sup>9</sup>		cm Hz <sup>2</sup> W <sup>-1</sup>
D*(1pk, 1000Hz, 1Hz)	7.0x10 <sup>9</sup>	1.5x10 <sup>10</sup>		cm Hz <sup>2</sup> W <sup>-1</sup>
RESPONSIVITY (µpk, 650Hz)	1.5x10 <sup>4</sup>	3.0x10 <sup>4</sup>		V/W
TIME CONSTANT (NOT MEASURED)		2	5	µs
RATED ELEMENT TEMP.			85	°C
ELEMENT SIZE		1x1		mm
DARK RESISTANCE	0.1	0.8	2.5	MΩ/sq.
OPER. TEMP.			23	°C



SECTION A-A

\*UNLESS OTHERWISE SPECIFIED TOLERANCES PER DECIMAL PRECISION ARE: X=±1 (±0.039), X.X=±0.5 (±0.020), X.XX=±0.25 (±0.010), X.XXX=±0.127 (±0.005). LEAD SIZE=±0.05 (±0.002), LEAD LENGTH=±0.75 (±0.030). MIN.= +<sup>DECIMAL PRECISION</sup> -<sup>DECIMAL PRECISION</sup>



290 E. HELEN ROAD  
 PALATINE, IL 60067-6976  
 PHONE: +1.847.359.2790  
 FAX: +1.847.359.6538  
 WEB: WWW.LUMEX.COM

4 ELEMENT PbSe

\*\*THE SPECIFICATIONS MAY CHANGE AT ANY TIME WITHOUT NOTICE DUE TO NEW MATERIALS OR PRODUCT IMPROVEMENT.\*\*

CONFIDENTIAL INFORMATION  
 THE INFORMATION CONTAINED IN THIS DOCUMENT IS THE PROPERTY OF LUMEX INC. EXCEPT AS SPECIFICALLY AUTHORIZED IN WRITING BY LUMEX INC., THE HOLDER OF THIS DOCUMENT SHALL KEEP ALL INFORMATION CONTAINED HEREIN CONFIDENTIAL AND SHALL PROTECT SAME IN WHOLE OR IN PART FROM DISCLOSURE AND DISSEMINATION TO ALL THIRD PARTIES.

DATE:	02.09.11	DRAWN BY:	AB
PAGE:	1 OF 1	CHKD BY:	KF
SCALE:	NTS	APRVD BY:	BC
UNIT:	mm [INCH]		Ⓟ