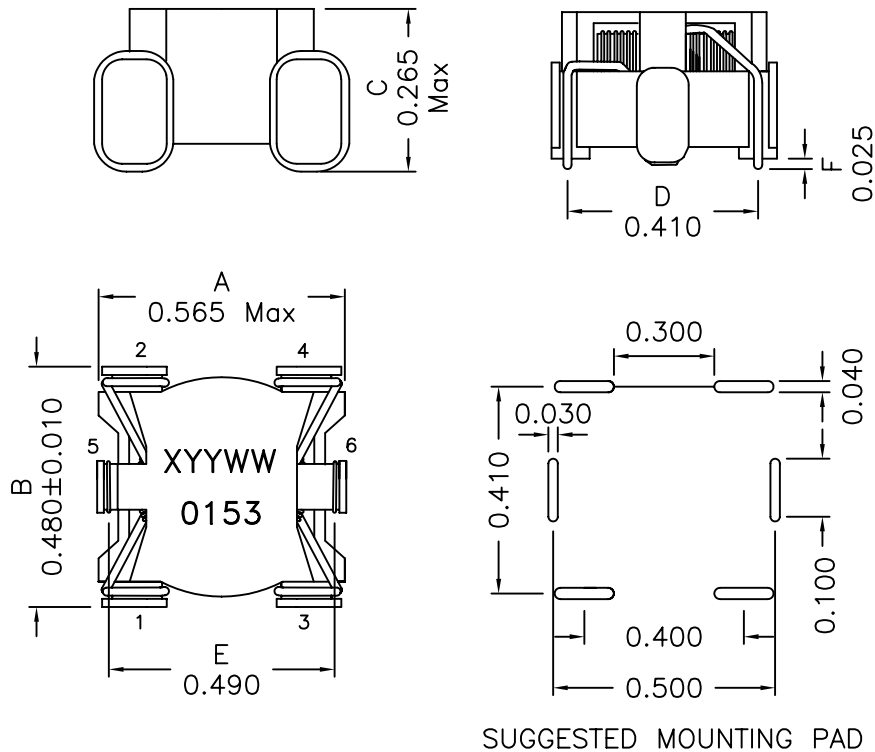


## 1. Mechanical Dimensions:

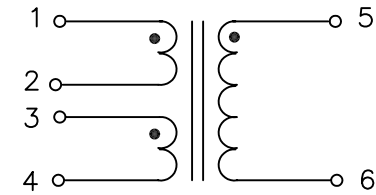


### Notes:

1. Solderability: Leads shall meet MIL-STD-202G, Method 208H for solderability.
2. Flammability: UL94V-0
3. ASTM oxygen index: > 28%
4. Insulation System: Class F 155°C. UL file E151556
5. Operating Temperature Range: All listed parameters are to be within tolerance from -40°C to +85°C
6. Storage Temperature Range: -55°C to +125°C
7. Aqueous wash compatible
8. SMD Lead Coplanarity:  $\pm 0.004''$  (0.102mm)
9. Electrical and mechanical specifications 100% tested
10. RoHS Compliant Component

DOC. REV: A/5

## 2. Schematic:



## 3. Electrical Specification: @25°C

HIPOT: 500Vrms Wire to Wire

OCL: 5-6 14.8mH Min @100KHz 20mV

Q: 5-6 40 Min @10KHz 0.1V

DCR: 5-6 0.93 OHMS MAX

Rated Current: 16.3 Amps (reference only)

**PROPRIETARY**

Document is the property of XFMRS Group & is not allowed to be duplicated without authorization.

<b>XFMRS Inc.</b> <a href="http://www.XFMRS.com">www.XFMRS.com</a>	Title: Current Sense Xfmr		
	UNLESS OTHERWISE SPECIFIED TOLERANCES:		
.xxx ±0.010 INCH	P/N: XF0153-CS6	REV. A	
Dimensions in INCH	DWN.	Feng	Nov-21-11
	CHK.	YK Liao	Nov-21-11
SHEET 1 OF 1	APP.	BW	Nov-21-11