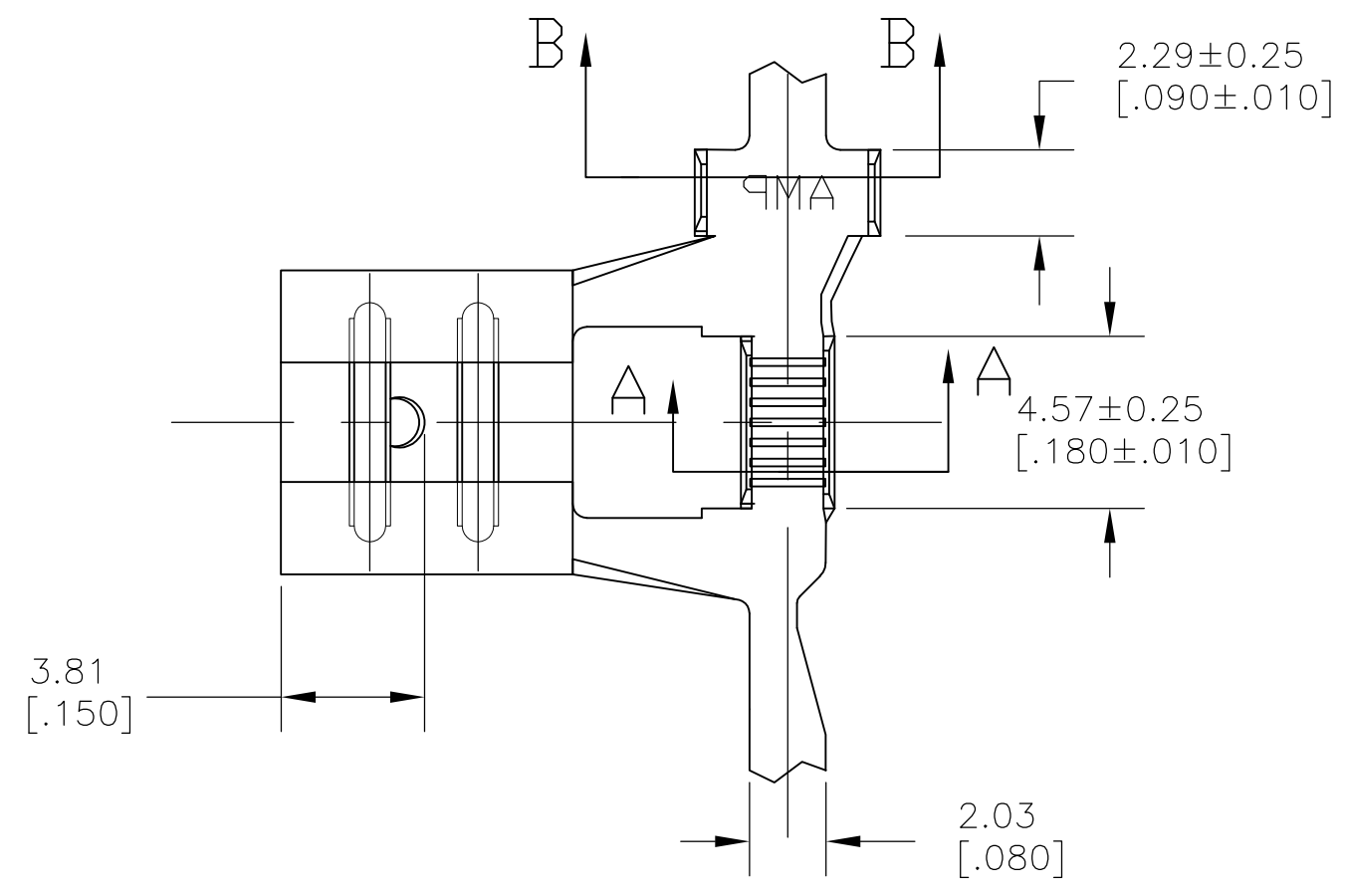
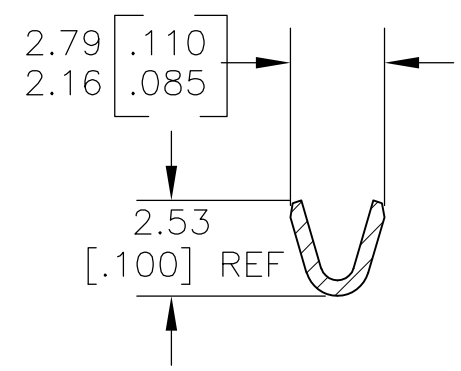
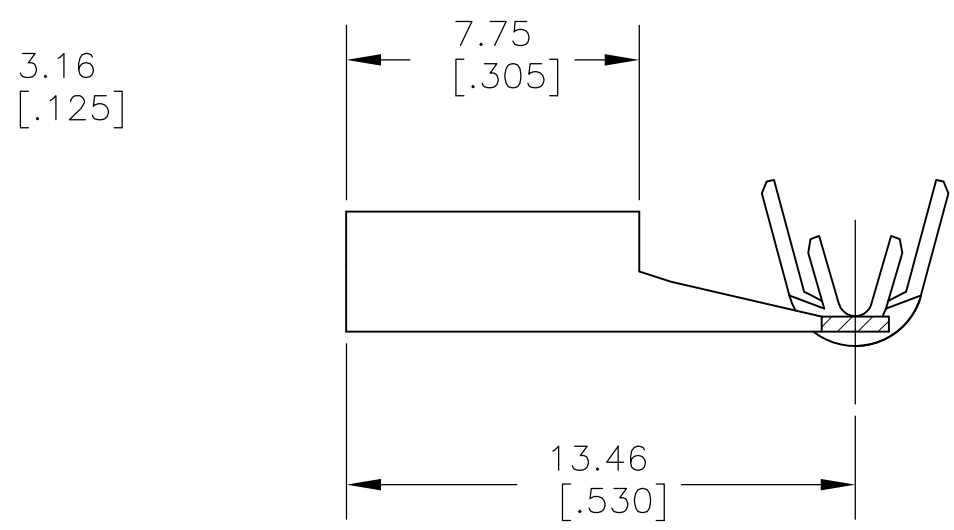
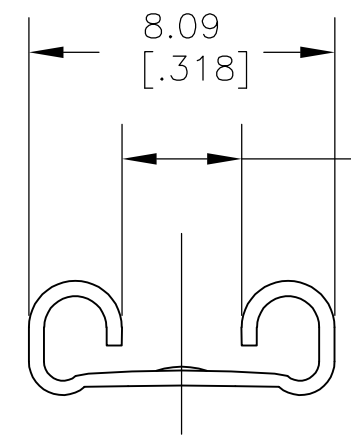


THIS DRAWING IS UNPUBLISHED. RELEASED FOR PUBLICATION
 © COPYRIGHT - By - ALL RIGHTS RESERVED.

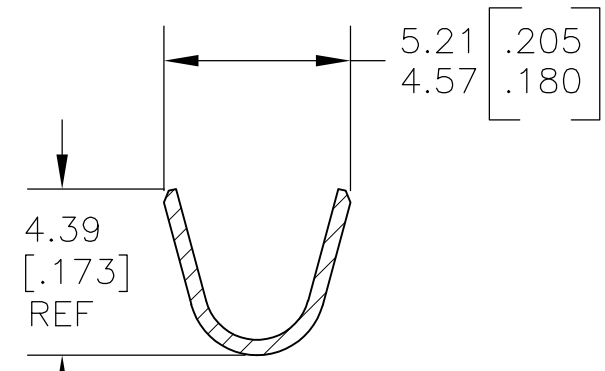
LOC	DIST	REVISIONS			
P	LTR	DESCRIPTION	DATE	DWN	APVD
AF	50	A1	RELEASED PER ECO 11-018653	13SEP11	JR PD



- 1 CONTINUOUS STRIP ON REELS
- 2 WIRE SIZE IS 500-1900 CMA, 0.6-1.1mm DIA., SINGLE WIRE CRIMP WIDTH IS 1.78 [.070], F TYPE
- 3 INSULATION RANGE 2.54-3.05 [.100-.120] DIA. CRIMP WIDTH IS 3.56 [.140], OVERLAP TYPE
- △ 4 0.002032 [.00080] MIN TIN PLATE
- 5 MATING TAB THK IS 0.81±0.025 [.032±.001].



SECTION A-A



SECTION B-B

1742881-1
PART NO

THIS DRAWING IS A CONTROLLED DOCUMENT.		DWN jr_ruth 08DEC10	TE Connectivity				
DIMENSIONS: MM [INCHES]		CHK PETE_DESANTIS 08DEC10					
TOLERANCES UNLESS OTHERWISE SPECIFIED:		APVD PETE_DESANTIS 08DEC10	NAME				
0 PLC ± - 1 PLC ± - 2 PLC ± 0.25 [.010] 3 PLC ± - 4 PLC ± - ANGLES ± 5°		PRODUCT SPEC -	RECEPTACLE, FASTON, FLAG, AMPLIVAR, 6.35 [.250] SERIES				
MATERIAL 4M BRASS		FINISH △ 4	APPLICATION SPEC -	SIZE A3	CAGE CODE 00779	DRAWING NO C-1742881	RESTRICTED TO -
CUSTOMER DRAWING			WEIGHT -	SCALE 5:1	SHEET 1 OF 1	REV A1	