

6

5

4

3




2

1

MATERIAL AND FINISH:

Insulator: Polycarbonate, UL-94V-0 rated
Contacts: Brass, Nickel plated

ELECTRICAL SPECIFICATIONS:

Current rating: 10 A 
Voltage rating: 250 VAC
Current rating: 15 A 
Voltage rating: 250 VAC 

ORDERING CODE:

42R02-4
 1 2 3




1 = TERMINAL OPTIONS

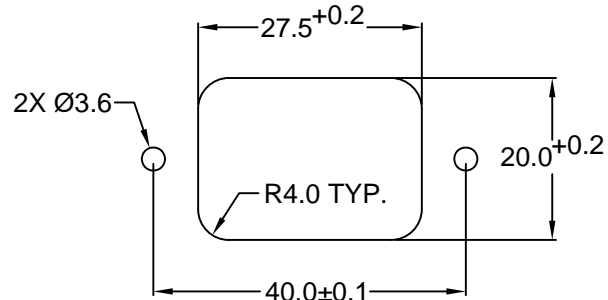
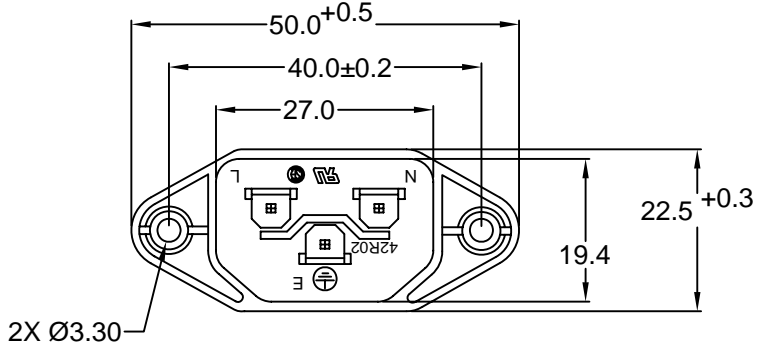
- 1 = .187(4.8)
- 2 = .250(6.3)

2 = COLOR

- 1 = BLACK
- 2 = GRAY

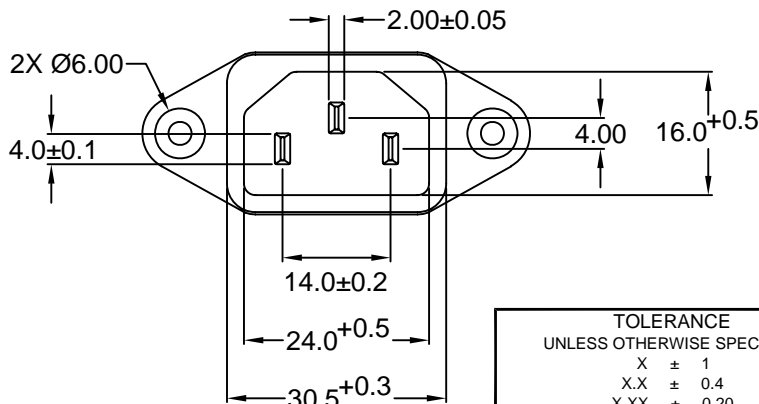
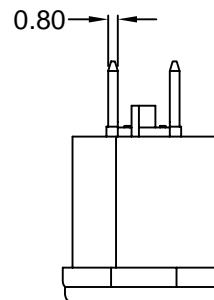
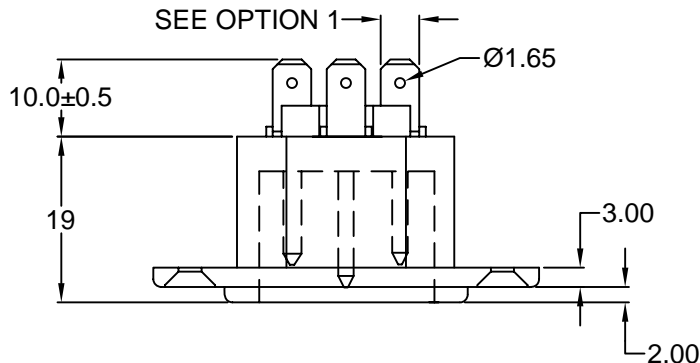
3 = ELECTRICAL CIRCUIT CONFIGURATION

- 1 = 15A 250V 120°C  2+GROUND
- 2 = 15A 250V 70°C  2+GROUND
- 4 = 15A 250V 70°C  2 POLE



**RECOMMENDED
PANEL CUT-OUT**

SEE OPTION 1



**RoHS
COMPLIANT**

REVISIONS	CHANGE	CHNG	CHK	APPR
	ADD RvHS	PB		
REV	DATE			
A	11/21/05			

TOLERANCE UNLESS OTHERWISE SPECIFIED		
X	±	1
X.X	±	0.4
X.XX	±	0.20
DRAWN BY	GQ	DATE: 8/6/01
CHECK BY	TD	DATE: 8/13/01
APPR BY	PB	DATE: 8/13/01

Power Dynamics, Inc.		
Phone: 973 560-0019 Whippany, New Jersey Fax: 973 560-0076		
PART: IEC 60320 C14 APPL. INLET; QUICK CONNECT TERMINALS; SIDE FLANGE, PANEL MOUNT		
PART #: 42R02-4XXX		SHEET 1 of 1
SIZE: A	ALL DIMENSIONS FOR REFERENCE ONLY DIMENSIONS ARE IN MILLIMETERS	
SCALE: NTS	REV: A	