

**PLEASE CHECK WWW.MOLEX.COM FOR LATEST PART INFORMATION**

**Part Number:** [0191640059](#)  
**Status:** **Active**  
**Description:** Perma-Seal™ Female Quick Disconnect for 10-12 AWG Wire, Tab Size 6.35mm (.250") x .081mm (.032")

**General**

Product Family	Quick Disconnects
Series	<a href="#">19164</a>
Crimp Quality Equipment	Yes
MolexKits	Yes
Product Name	Perma-Seal™
Type	Quick Disconnect

**Physical**

Barrel Type	Closed
Gender	Female
Glow-Wire Compliant	No
Insulation	NiAc™
Lock to Mating Part	None
Material - Metal	Brass
Orientation	Straight
Packaging Type	Bag
Tab Thickness	0.81mm (.032")
Tab Width	6.35mm (.250")
Temperature Range - Operating	-55°C to +125°C
Wire Insulation Diameter	7.62mm (.310") max.
Wire Size AWG	10, 12
Wire Size mm²	4.00 - 6.00

**Electrical**

Voltage - Maximum	600V
-------------------	------

**Material Info**

Old Part Number	SC-2143
-----------------	---------

**Reference - Drawing Numbers**

Sales Drawing	SD-19164-040
---------------	--------------

**EU RoHS**

**ELV and RoHS Compliant**

**REACH SVHC**

Not Reviewed

**Halogen-Free**

**Status**

**Not Reviewed**

**China RoHS**



**Need more information on product environmental compliance?**

Email [productcompliance@molex.com](mailto:productcompliance@molex.com)  
 For a multiple part number RoHS Certificate of Compliance, [click here](#)

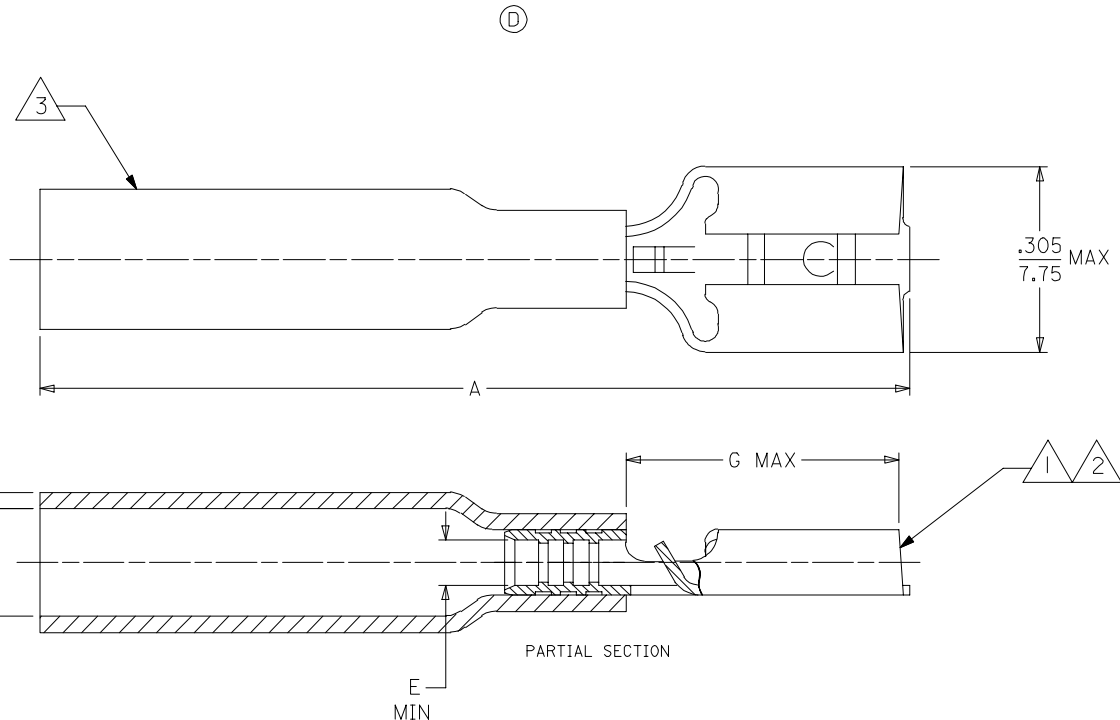
Please visit the [Contact Us](#) section for any non-product compliance questions.

**Search Parts in this Series**

[19164Series](#)

**PLEASE CHECK WWW.MOLEX.COM FOR LATEST PART INFORMATION**

MATERIAL NUMBER	ENGINEERING MATERIAL	WIRE SIZE AWG	FITS MALE TABE	PERMA-SEAL COLOR	STOCK THICKNESS	A	D ±.010/0.25	E MIN	F MIN	G MAX
191640012	SAA-2140	22-18	.250 X .032	RED	.016/0.40	1.38/35.1	.235/5.97	.060/1.52	.025/0.64	.39/9.9
191640047	SBB-2141	16-14	.250 X .032	BLUE	.016/0.40	1.35/34.3	.235/5.97	.082/2.08	.029/0.74	.39/9.9
191640059	SC-2143	12-10	.250 X .032	YELLOW	.018/0.46	1.36/34.5	.310/7.62	.148/3.76	.029/0.74	.45/11.4



NOTES:

- 1. TERMINAL MATERIAL: BRASS  
SEE TABLE FOR THICKNESS.
- 2. FINISH: ELECTRO TIN PLATE.
- 3. INSULATION MATERIAL: HEAT SHRINKABLE TUBING WITH HOTMELT ADHESIVE INNER LINER. COLOR: SEE CHART.
- 4. MWID = MAXIMUM WIRE INSULATION DIAMETER.

CHANGED DIM "D" EC NO: ETC2006-0154 DRWN:NASAYDEH 2005/12/21 CHKD: ILOMASTRO 2005/12/21 APPR: JPAMLIK 2005/12/21	QUALITY SYMBOLS ▽=0 ▽=0	GENERAL TOLERANCES (UNLESS SPECIFIED)		DIMENSION STYLE IN/MM		SCALE ---	DESIGN UNITS INCH	THIRD ANGLE PROJECTION	
			mm	INCH	DRAWN BY BRE	DATE 06/11/06	TITLE FEMALE QD PERMA-SEAL		
		4 PLACES	± ---	± ---	CHECKED BY HEB	DATE 06/11/06	APPROVED BY RWD		
		3 PLACES	± ---	±.005	DATE 06/11/06		MATERIAL NO. SEE CHART		
2 PLACES	± 0.13	±.01	DATE 06/11/06		DOCUMENT NO. SD-19164-040				
1 PLACE	± 0.25	± ---	ANGULAR ±1/2°		SHEET NO. 1 OF 1				
DRAFT WHERE APPLICABLE MUST REMAIN WITHIN DIMENSIONS				THIS DRAWING CONTAINS INFORMATION THAT IS PROPRIETARY TO MOLEX INCORPORATED AND SHOULD NOT BE USED WITHOUT WRITTEN PERMISSION					