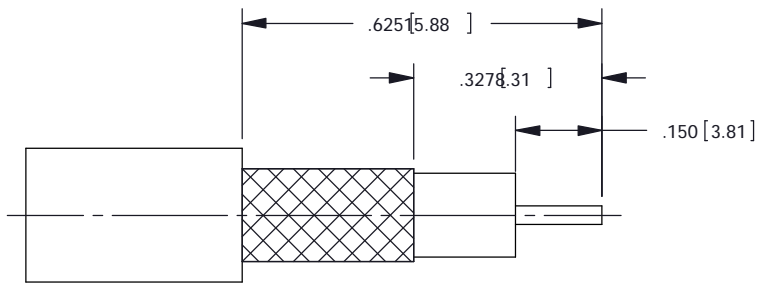
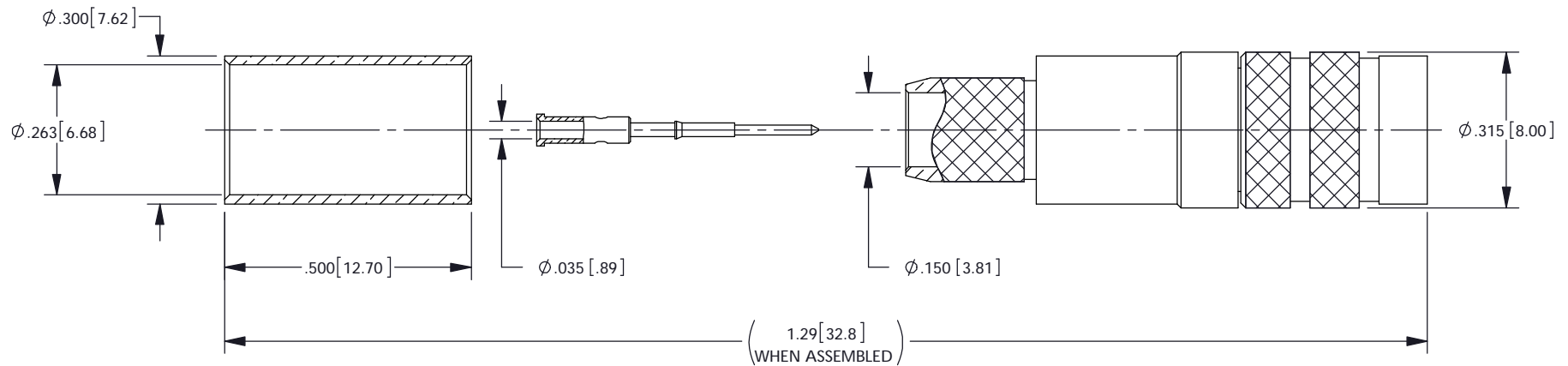


NOTES: UNLESS OTHERWISE SPECIFIED

1. DESIGNED FOR USE WITH BELDEN 1505A CABLE OR EQUIVALENT.
2. MATERIAL SPECIFICATIONS:  
 BODY, CENTER CONTACT & FERRULE: BRASS PER ASTM B16.  
 OUTER CONTACT : COPPER ALLOY.  
 INSULATOR: TEFLON PER ASTM D1710.
3. FINISH SPECIFICATIONS:  
 BODY & FERRULE: .000100 MIN NICKEL PER AMS-QQ-N-290 OVER COPPER FLASH PER ASTM B734 (RoHS).  
 CONTACT: .000030 MIN GOLD PER ASTM B488 OVER .000080 MIN NICKEL PER AMS-QQ-N-290 (RoHS).
4. ELECTRICAL SPECIFICATIONS:  
 IMPEDANCE: 75 OHMS  
 FREQUENCY RANGE: DC-6.0 GHz.  
 RETURN LOSS: <-20dB UP TO 3.0 GHz, <-15dB UP TO 6.0 GHz.
5. COMPLIANT TO SMPTE 424M (3G-SDI) STANDARD.
6. CONTACT AND FERRULE SHIPPED LOOSE.
7. INTERFACE PER CECC 22230.
8. CRIMP FERRULE (.255 HEX) AND CONTACT (.042 HEX) USE KINGS KTH-2261.
9. ASSEMBLE TO CABLE PER CAP-E03.

REV	DESCRIPTION	BY DATE	APPD
B	RELEASED PER ERO40853	03/13/12	BB CY

P/N	DESCRIPTION	QTY
0345-E00-C7101N	SINGLE PACK	1
0345-E00-C7101NU	BULK PACK	400



RECOMMENDED CABLE TRIM DIMENSIONS

CATALOG P/N: 0345-E00-C7101N

PER ASME Y14.5M-1994 UNLESS OTHERWISE SPECIFIED: DIMENSIONS ARE IN INCHES [MM] TOLERANCES: DECIMAL: XX [X.X] ± .01 [0.3] XXX [X.XX] ± .005 [0.13] XXXX [X.XXX] ± .XXXX ANGLES: ± 2° SCALE: 2:1				by WINCHESTER Winchester Electronics Corporation 62 Barnes Industrial Road North Wallingford, Connecticut 06492	
<b>CUSTOMER SALES DRAWING</b>			THIRD ANGLE 	75 OHM 1.0/2.3 PLUG FOR BELDEN 1505A CABLE (RoHS COMPLIANT)	
DRAWN DW	DATE 04/26/10	APPROVED Dcam	DATE 05/07/10	<b>A</b>	SD0345-E00-C7101N
APPROVED WPM	DATE 05/10/10	APPROVED XXX	DATE XX/XX/XX		