

NOTES: UNLESS OTHERWISE SPECIFIED

1. DESIGNED FOR USE WITH BELDEN 1855A OR EQUIVALENT CABLE.

2. MATERIAL SPECIFICATIONS:  
 BODY: BRASS PER ASTM B16.  
 CENTER CONTACT: COPPER ALLOY.  
 OUTER CONTACT: COPPER ALLOY.  
 INSULATOR: TEFLON PER ASTM D1710.  
 FERRULE: BRONZE C22000.

3. FINISH SPECIFICATIONS:  
 BODY: .000100 MIN NICKEL PER AMS-QQ-N-290 OVER COPPER FLASH PER ASTM B734 (RoHS).  
 CENTER CONTACT: .000030 MIN GOLD PER ASTM B488 OVER .000080 MIN NICKEL PER AMS-QQ-N-290 (RoHS).  
 OUTER CONTACT: .000030 MIN GOLD PER ASTM B488 OVER .000080 MIN NICKEL PER AMS-QQ-N-290 (RoHS).  
 FERRULE: .000050 MIN NICKEL PER AMS-QQ-N-290 OVER .000050 MIN COPPER FLASH PER ASTM B734 (RoHS).

4. STRIP USE KINGS KTS-8-2.

5. CRIMP FERRULE USE KINGS KTH-1000 & KTH-2025(.178 HEX).

6. INTERFACE PER CECC 22230.

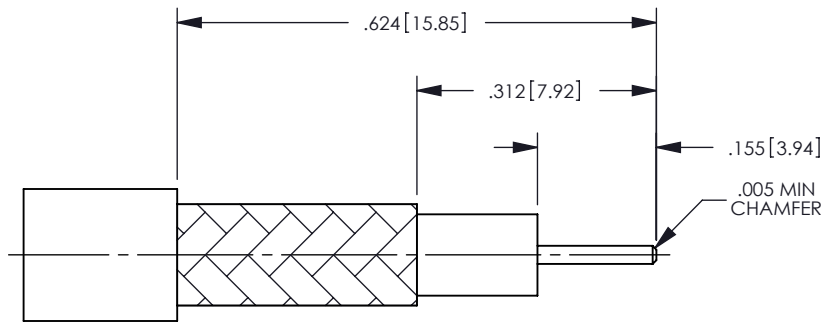
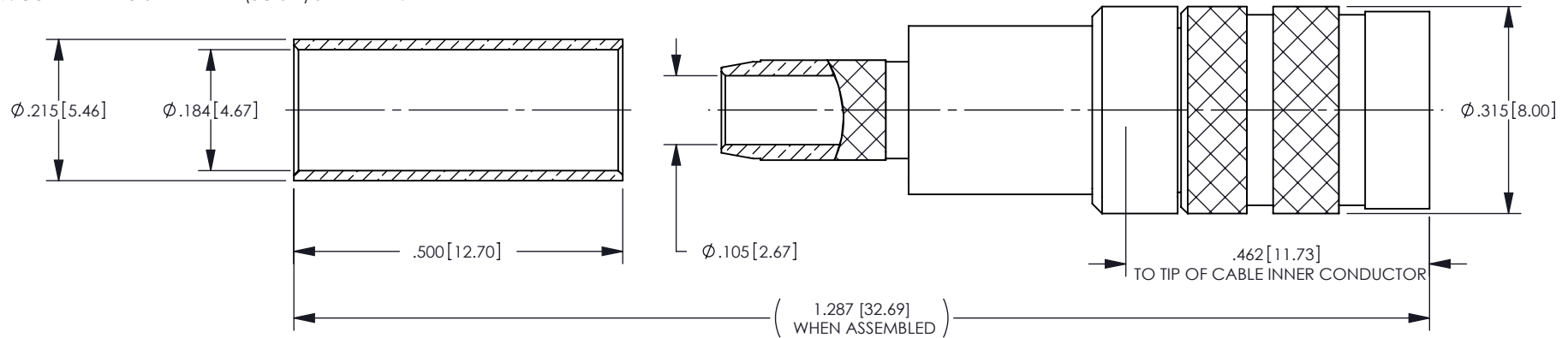
7. CAP-E02.

8. ELECTRICAL SPECIFICATIONS:  
 IMPEDANCE: 75 OHMS.  
 FREQUENCY RANGE: DC-6.0 GHz.  
 RETURN LOSS: <-20dB UP TO 3.0 GHz, <-15dB UP TO 6.0 GHz.

9. COMPLIANT TO SMPTE 424M (3G-SDI) STANDARD.

REV	DESCRIPTION	BY DATE	APPD
E	REVISED PER ECR-ER28303	11/03/10 CY	CIC

P/N	DESCRIPTION	QTY
0345-E00-C7201N	SINGLE PACK	1
0345-E00-C7201NU	BULK PACK	400



RECOMMENDED CABLE TRIM DIMENSIONS

CATALOG P/N: 0345-E00-C7201N

PER ASME Y14.5M-1994 UNLESS OTHERWISE SPECIFIED: DIMENSIONS ARE IN INCHES [MM] TOLERANCES: DECIMAL: .XX [X.X] ± .01 [0.3] .XXX [X.XX] ± .005 [0.13] .XXXX [X.XXX] ± .XXXX ANGLES: ± 2° SCALE: 4:1		by WINCHESTER Winchester Electronics Corporation 62 Barnes Industrial Road North Wallingford, Connecticut 06492	
CUSTOMER DRAWING		DIN 1.0/2.3 75 OHM PLUG FOR BELDEN 1855A CABLE (RoHS COMPLIANT)	
DRAWN DW	DATE 05/22/08	APPROVED DCam	DATE 05/28/08
APPROVED XXX	DATE XX/XX/XX	APPROVED XXX	DATE XX/XX/XX
<b>A</b> SD0345-E00-C7201N		SHT 1 OF 1	
		REV E	