

NOTES: UNLESS OTHERWISE SPECIFIED

1. MATERIAL SPECIFICATIONS:

BODYS & NUT: BRASS PER ASTM B16.
 CONTACT: COPPER ALLOY
 INSULATOR: TEFLON PER ASTM D1710.
 BOARD LOCKS: PHOSPHOR BRONZE PER ASTM B139
 INSULATOR: LCP PER ZENITE 6130LX BK010

2. FINISH SPECIFICATIONS:

CONTACT: .000030 MIN GOLD PER ASTM B488 OVER .000080 MIN NICKEL PER AMS-QQ-N-290.
 NUT AND FRONT BODY: .000100 MIN NICKEL PER AMS-QQ-N-290 OVER COPPER FLASH PER ASTM B734.
 REAR BODY AND BOARD LOCKS: .000050 MIN PURE TIN OVER .000080 MIN NICKEL PER AMS-QQ-N-290

3. ELECTRICAL SPECIFICATIONS:

IMPEDANCE: 75 OHMS.
 FREQUENCY RANGE: DC-4.5GHz.
 RETURN LOSS (ON MID-LAYER OF 1.6mm PCB): <-15dB UP TO 3.0GHz, <-10dB UP TO 4.5 GHz.

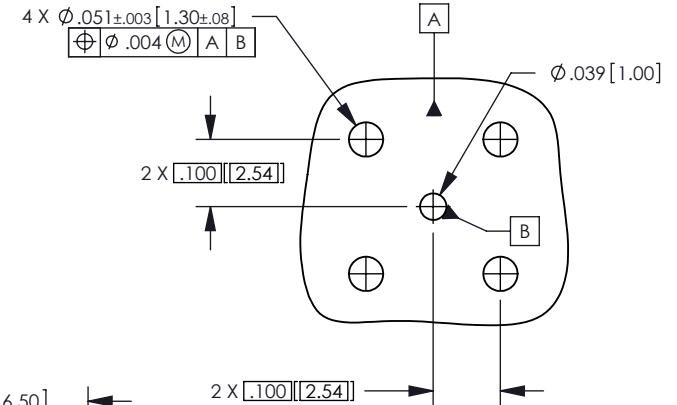
4. COMPLIANT TO SMPTE 424M (3G-SDI) STANDARD.

5. STUB RESISTANT INTERFACE

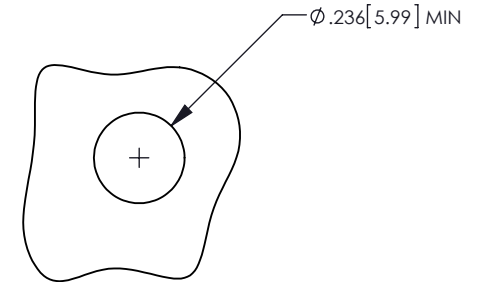
6. LEAD FREE SOLDER 260°C FOR 90 SECONDS.

P/N	DESCRIPTION	QTY
034B-060-00402TK	TRAY PACK	360
034B-060-00402TKU	TAPE & REEL PACK	350

REV	DESCRIPTION	BY DATE	APPD
B	REVISED PER ER042473 CHANGE T & R QTY FROM 500 TO 350, CE MATERIAL UPDATED TO LCP, ADD LEAD FREE NOTE	06/19/12 CY	LL

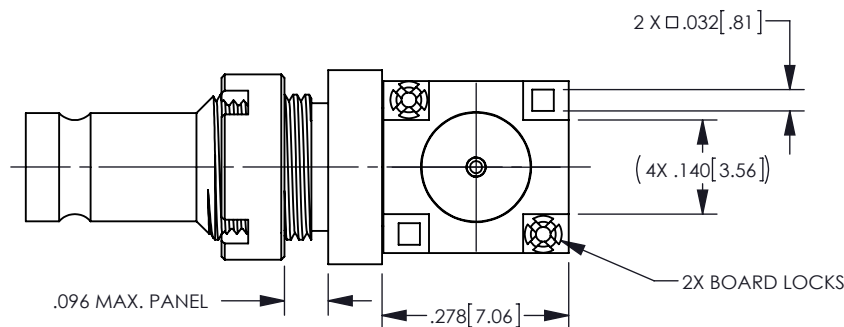
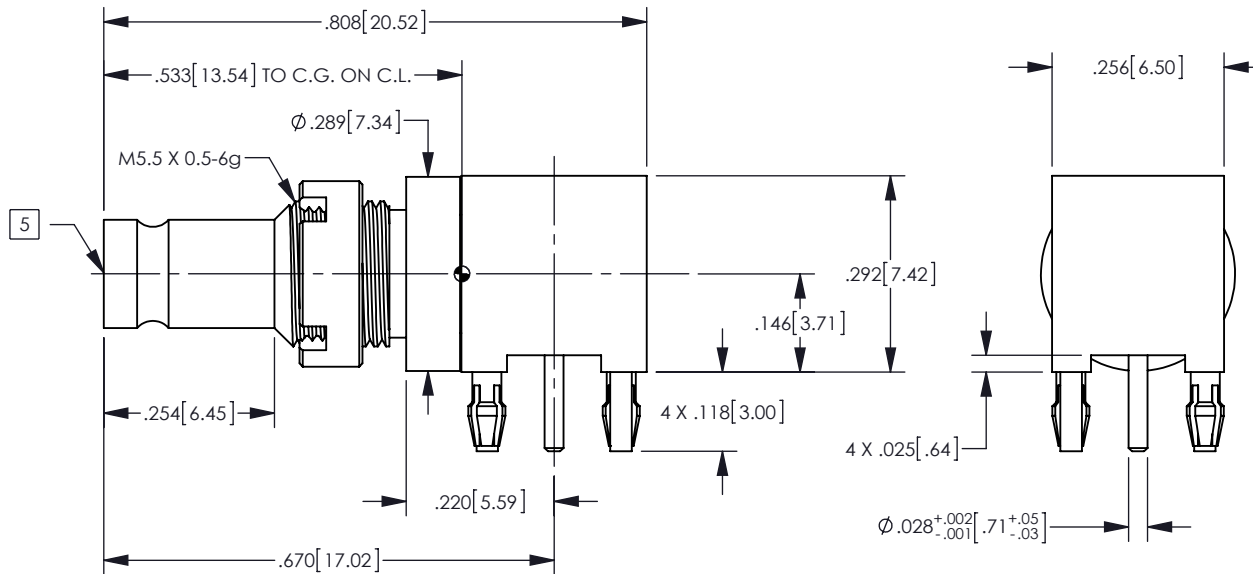


RECOMMENDED PCB LAYOUT
 .063 [1.6] THICKNESS



RECOMMENDED PANEL
 MOUNTING HOLE

CATALOG P/N: 034B-060-00402TK



PER ASME Y14.5M-1994
 UNLESS OTHERWISE SPECIFIED:
 DIMENSIONS ARE IN INCHES [MM]
 TOLERANCES:
 DECIMAL: .XX [X.X] ± .01 [0.3]
 .XXX [X.XX] ± .005 [0.13]
 .XXXX [X.XXX] ± .XXXX
 ANGLES: ± 2° SCALE: 3.5:1

KINGS
 by WINCHESTER
 ELECTRONICS
 Winchester Electronics Corporation
 62 Barnes Industrial Road North
 Wallingford, Connecticut 06492

CUSTOMER
 DRAWING



DIN 1.0/2.3 75 OHM JACK RIGHT
 ANGLE PCB MOUNT
 WITH BOARD LOCKS & STUB
 RESISTANT INTERFACE (RoHS)

DRAWN	DATE	APPROVED	DATE
BB	05/03/12	CY	05/03/12
APPROVED	DATE	APPROVED	DATE
XXX	XX/XX/XX	XXX	XX/XX/XX

SHT	OF	REV
1	1	B

A

SD034B-060-00402TK