

PLEASE CHECK WWW.MOLEX.COM FOR LATEST PART INFORMATION

Part Number: [0351820194](#)
Status: **Active**
Description: 1.78mm (.070") Tab, Wire-to-Wire Male Housing TPA™, 1 Circuit, Vertical

Documents:

[3D Model](#) [Product Specification PS-35182-003 \(PDF\)](#)
[Drawing \(PDF\)](#) [RoHS Certificate of Compliance \(PDF\)](#)
[Product Specification PS-35150-001 \(PDF\)](#)

General

Product Family	Accessories
Series	35182
Component Type	Retainer
Product Name	TPA™ - Term Pos Assurance

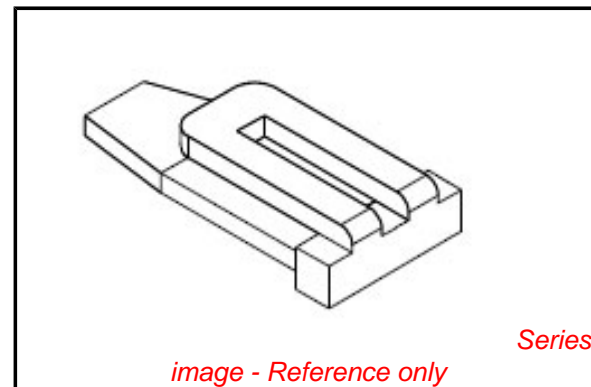
Physical

Circuits (Loaded)	1
Color - Resin	Natural
Lock to Mating Part	Yes
Material - Resin	Nylon
Number of Rows	1
Packaging Type	Bag
Temperature Range - Operating	-40°C to +120°C

Material Info

Reference - Drawing Numbers

Product Specification	PS-35150-001, PS-35182-003
Sales Drawing	SD-35182-019*



EU RoHS

**ELV and RoHS
Compliant**
**REACH SVHC
Contains SVHC: No**
**Halogen-Free
Status**

China RoHS



**Need more information on product
environmental compliance?**

Email productcompliance@molex.com
 For a multiple part number RoHS Certificate of Compliance, [click here](#)

Please visit the [Contact Us](#) section for any non-product compliance questions.

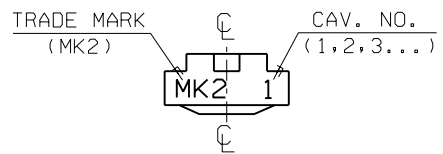
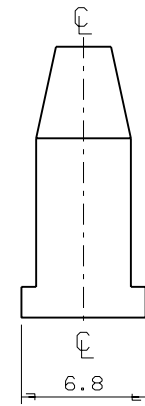
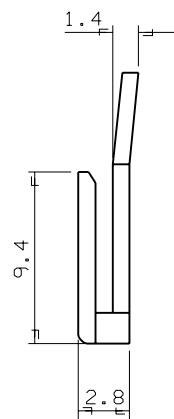
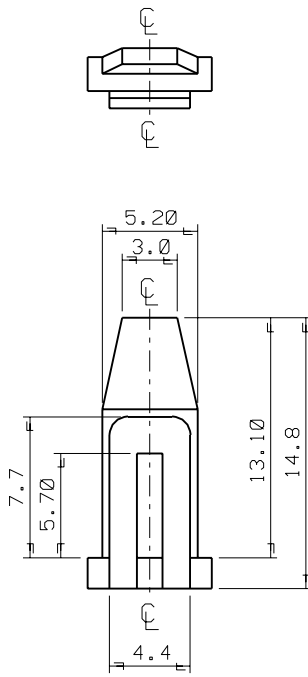
Search Parts in this Series

[35182Series](#)

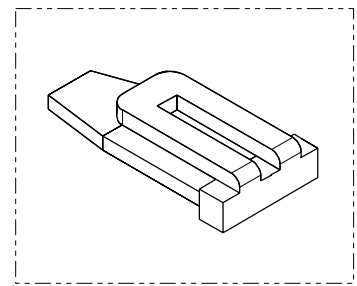
Use With

[35181 Wire-to-Wire Female Housing](#)

PROJECT NO. .070 MULTI CONN' EDP NO. SIMILAR ITEM ENG. NO SD 35182-019*



- NOTES
- MATERIAL : NYLON 66 (UL94V-2)
 - COLOR : 35182-0190 (NATURAL)
35182-0192 (RED)
35182-0193 (YELLOW)
35182-0194 (BLUE)
 - MATCHED HOUSING : 35181-020*
35181-021*
35181-022*



				MATERIAL SEE NOTES		molex MOLEX-KOREA CO.,LTD.	
				GENERAL TOLERANCE DIMENSION : +0.3 ANGLE : +1°		DRAWN BY J.S.KANG	
				DIMENSION CLASSIFICATION ▽ : CRITICAL ▼ : MAJOR () : REFERENCE		CHK'D BY	
A NEW RELEASED PDR 94-041 95 9.28				LTR REVISION RECORDED ECN DATE		APPR'D BY SCALE 4/1	
				ASS'Y PART DESCRIPTION ENG. NO.		TITLE : .070 MULTI FEMALE HOUSING T.P.A-1P	
REVISE ONLY ON CAD SYSTEM				---		SHEET 1 OF 1	
						ENG. NO. SD 35182-019* REV A	