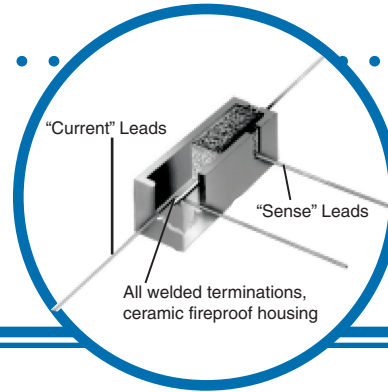


# Four-Terminal Current-Sensing Wirewound Resistor

## 4LPW Series

- TC =  $\pm 40\text{ppm}/^\circ\text{C}$
- 3 watts to 15 watts
- 0.005 ohm to 1.0 ohm
- $\pm 1\%$ ,  $\pm 2$ ,  $\pm 3$ ,  $\pm 5$ ,  $\pm 10\%$  tolerance

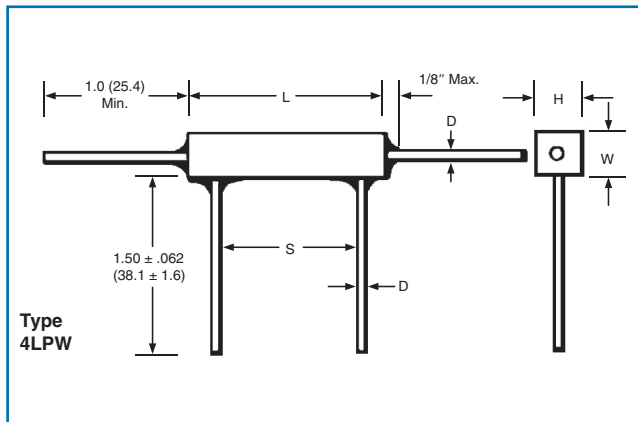


## Electrical Data

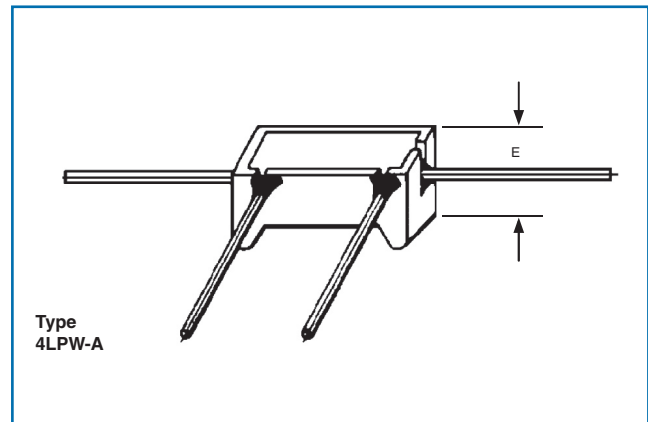
IRC Type	Power @ 25°C (watts)	Max. Current (amps)	Resistance Range (ohms)
4LPW-3	3	10	.005 TO 1.0
4LPW-5	5	10	.005 TO 1.0
4LPW-7	7	20	.01 TO 1.0
4LPW-10	10	20	.01 TO 1.0
4LPW-15	15	20	.01 TO 1.0

Please note: When ordering the alternate configuration please add an "A" after the part number. (4LPW-3A)

## Standard Configuration



## Alternate Configuration



### Dimensions (Inches (mm))

IRC Type	L $\pm .063$ (1.6)	W $\pm .03$ (.8)	H $\pm .03$ (.8)	S $\pm .062$ (1.6)	D Diameter	E $\pm .03$ (.8)
4LPW-3	.88 (22.4)	.31 (7.87)	.31 (7.87)	.563 (14.3)	.036* (.9)	.38 (9.65)
4LPW-5	.88 (22.4)	.38 (9.65)	.35 (8.89)	.563 (14.3)	.036* (.9)	.41 (10.4)
4LPW-7	1.39 (35.3)	.38 (9.65)	.35 (8.89)	1.013 (25.7)	.036* (.9)	.47 (11.9)
4LPW-10	1.88 (47.8)	.38 (9.65)	.35 (8.89)	1.388 (35.3)	.036* (.9)	.47 (11.9)
4LPW-15	1.88 (47.8)	.50 (12.7)	.50 (12.7)	1.388 (35.3)	.036* (.9)	.63 (16.0)

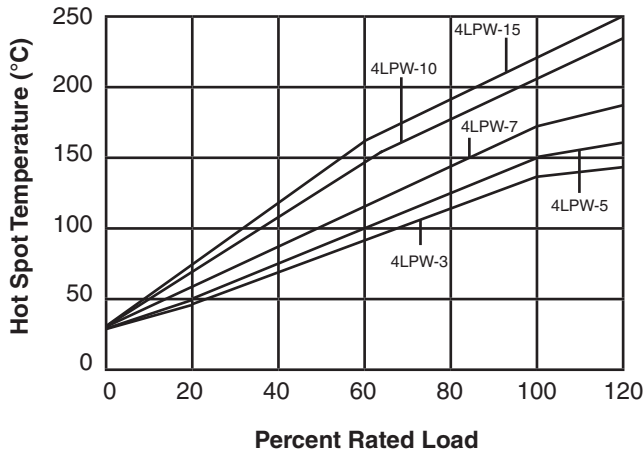
### General Note

IRC reserves the right to make changes in product specification without notice or liability. All information is subject to IRC's own data and is considered accurate at time of going to print.

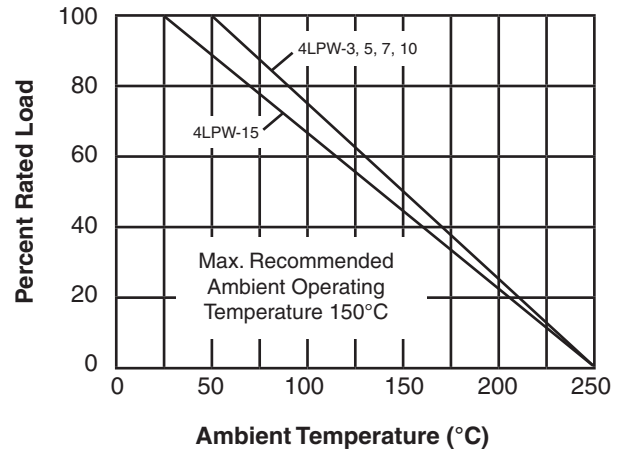
# Four-Terminal Current-Sensing Wirewound Resistor



## Temperature Rise Chart



## Power Derating Curve



## Ordering Data

Sample Part No. ....	4LPW	15	R010	F
IRC Type .....	4LPW			
Power .....				
3 = 3W, 5 = 5W, 7 = 7W, 10 = 10W, 15 = 15W				
Resistance Range .....				
Expressed in ohms (Standard EIA/MIL values)				
Tolerance .....				
F = ±1%, G = ±2%, H = ±3%, J = ±5%, K = ±10%				