

# NPN SILICON RF POWER TRANSISTOR

**DESCRIPTION:**

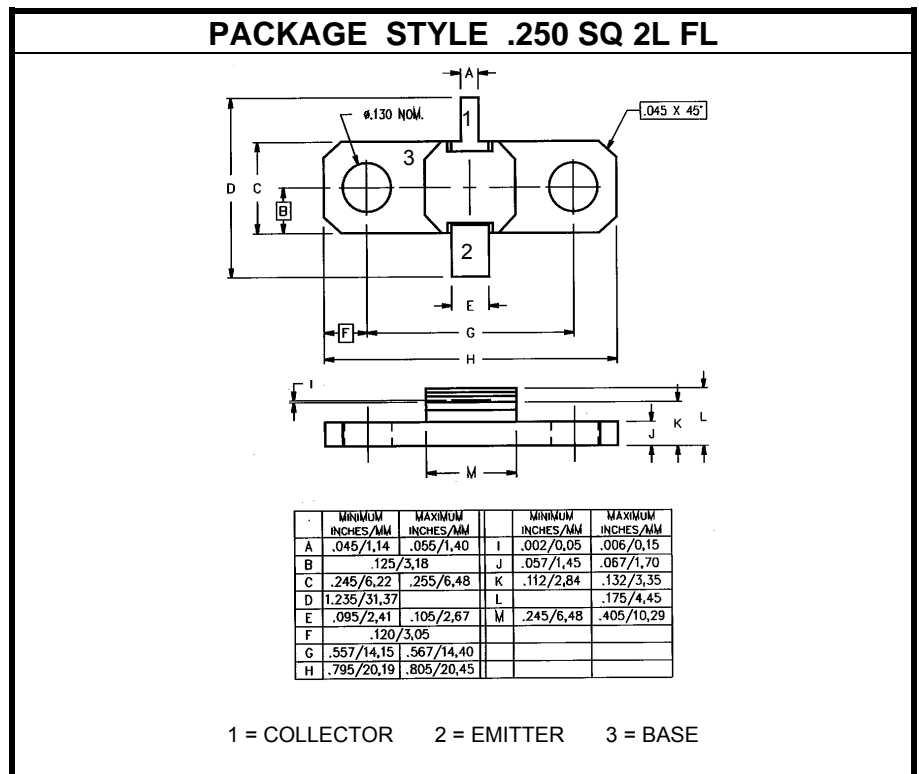
The **ASI SD1536-08** is a Common Base Device Designed for DME IFF, and TACAN Pulse Applications.

**FEATURES INCLUDE:**

- Gold Metallization
- Internal Impedance Matching
- Broad Band Performance

**MAXIMUM RATINGS**

$I_C$	10 A
$V_{CES}$	65 V
$P_{DISS}$	292 W @ $T_C = 25^\circ C$
$T_J$	$-55^\circ C$ to $+200^\circ C$
$T_{STG}$	$-55^\circ C$ to $+150^\circ C$
$\theta_{JC}$	0.60 $^\circ C/W$


**CHARACTERISTICS**  $T_C = 25^\circ C$ 

SYMBOL	TEST CONDITIONS	MINIMUM	TYPICAL	MAXIMUM	UNITS
$BV_{CER}$	$I_C = 25$ Ma $R_{BE} = 10 \Omega$	65			V
$BV_{CBO}$	$I_C = 10$ mA	65			V
$BV_{EBO}$	$I_E = 1.0$ mA	3.5			V
$I_{CES}$	$V_{CE} = 50$ V			10	mA
$h_{FE}$	$V_{CE} = 5.0$ V $I_C = 100$ mA	5.0			---
$P_{OUT}$	$V_{CE} = 50$ V $P_{IN} = 13.5$ W $f = 1025$ to $1150$ MHz	90			W
$G_p$	PULSE WIDTH = $10 \mu S$ DUTY CYCLE = 1.0%	8.4			dB