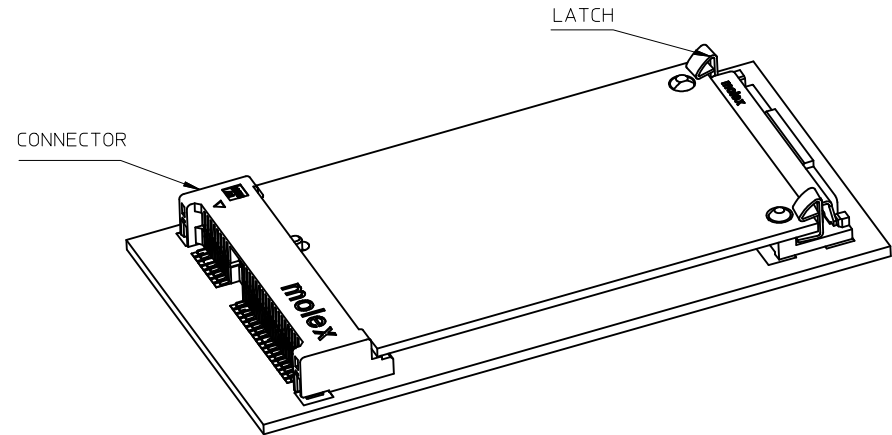
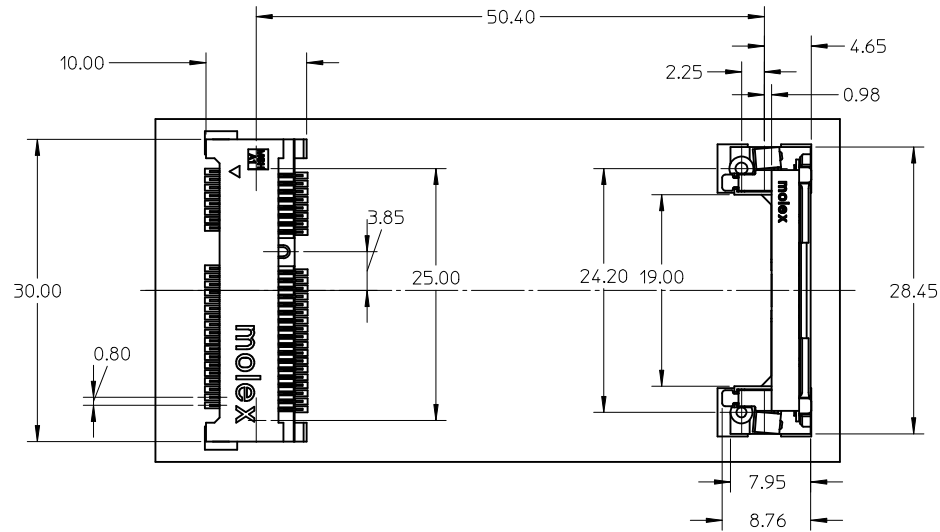


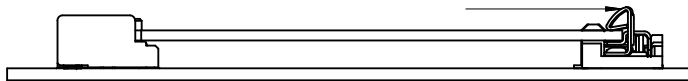
10 9 8 7 6 5 4 3 2 1

LATCH

CONNECTOR



PUSH LATCH TO RELEASE MODULE



| QUALITY SYMBOLS | |
|-----------------|----|
| | =0 |
| | =0 |

| | |
|----------------|-------------------|
| REVISED | EC NO: S2010-0835 |
| DRWN: CWANG25 | 2010/04/05 |
| CHKD: HARVEY | 2005/12/14 |
| APPR: NAGESHKN | 2010/04/07 |

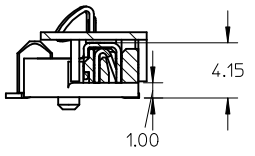
| REV | DESCRIPTION |
|-----|-------------|
| | =0 |
| | =0 |
| | =0 |

| | |
|--|--------------|
| GENERAL TOLERANCES (UNLESS SPECIFIED) | |
| | mm INCH |
| 4 PLACES | ± --- ± --- |
| 3 PLACES | ± --- ± --- |
| 2 PLACES | ± 0.25 ± --- |
| 1 PLACE | ± 0.25 ± --- |
| ANGULAR ± 3 ° | |
| DRAFT WHERE APPLICABLE MUST REMAIN WITHIN DIMENSIONS | |

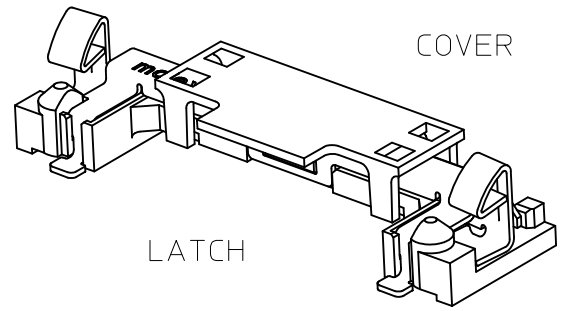
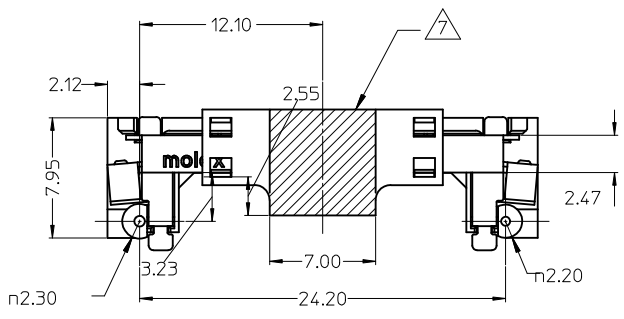
| | |
|-----------------|------------|
| DIMENSION STYLE | |
| MM ONLY | |
| DRAWN BY | DATE |
| DAVID HU | 2005/12/14 |
| CHECKED BY | DATE |
| HARVEY | 2005/12/14 |
| APPROVED BY | DATE |
| NAGESHKN | 2010/04/07 |
| MATERIAL NO. | |
| 480995701 | |
| SIZE | A3 |

| | | | | |
|---|-----|--------------|--------|------------------------|
| SCALE | NTS | DESIGN UNITS | METRIC | THIRD ANGLE PROJECTION |
| TITLE | | | | |
| LATCH FOR MINIPCI-E 0.8MM PITCH 52 CIRCUIT LEAD-FREE | | | | |
| MOLEX INCORPORATED | | DOCUMENT NO. | | |
| SD-48099-006 | | SHEET NO. | | |
| | | 1 OF 3 | | |
| THIS DRAWING CONTAINS INFORMATION THAT IS PROPRIETARY TO MOLEX INCORPORATED AND SHOULD NOT BE USED WITHOUT WRITTEN PERMISSION | | | | |

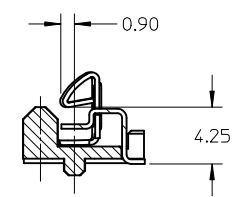
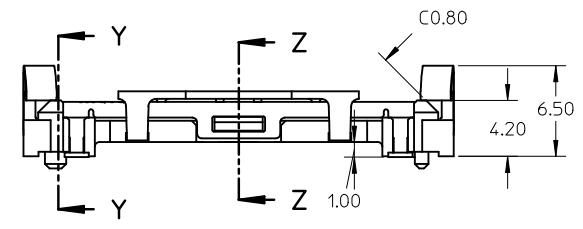
9 8 7 6 5 4 3 2 1



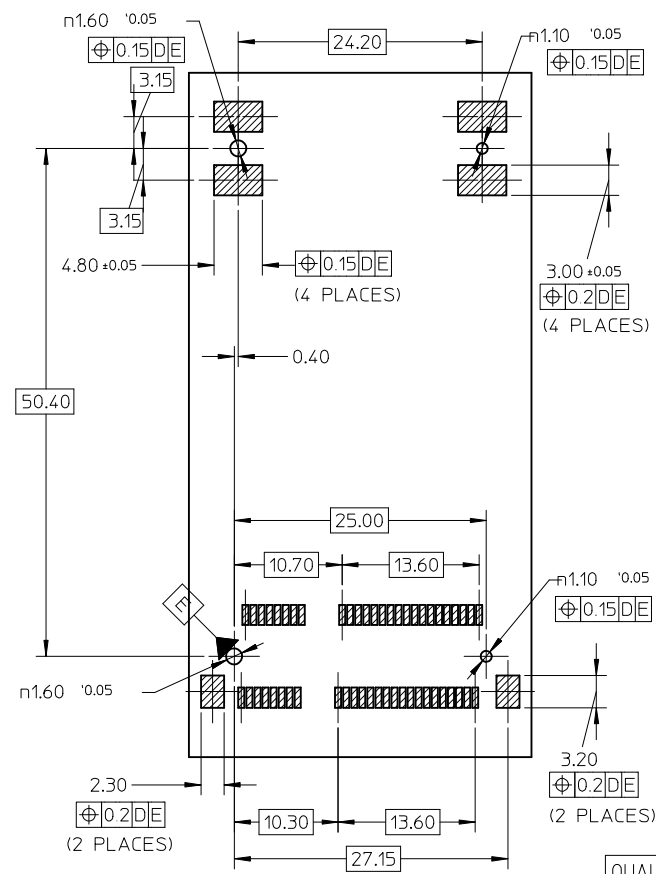
SECTION Z-Z
Scale 3:1



LATCH



SECTION Y-Y
Scale 3:1



DATUM D IS THE TOP SURFACE OF PCB

RECOMMENDED PCB LAYOUT

| QUALITY SYMBOLS | VALUE |
|-----------------|-------|
| | =0 |
| | =0 |

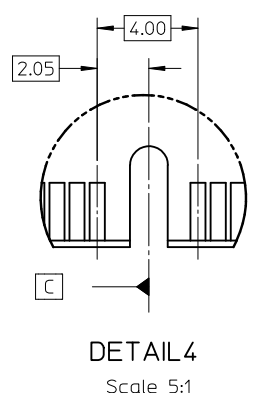
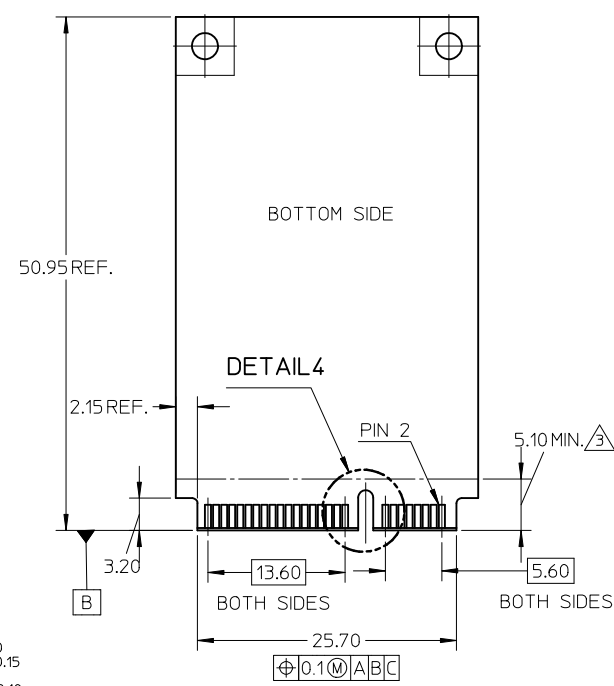
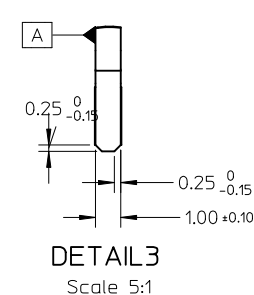
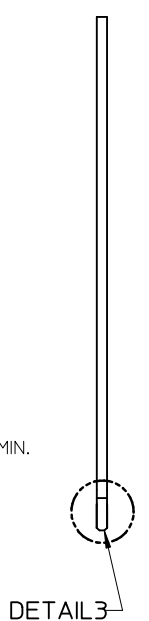
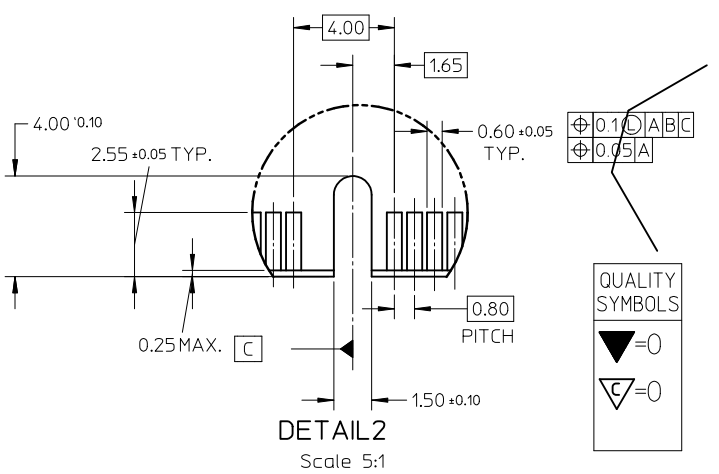
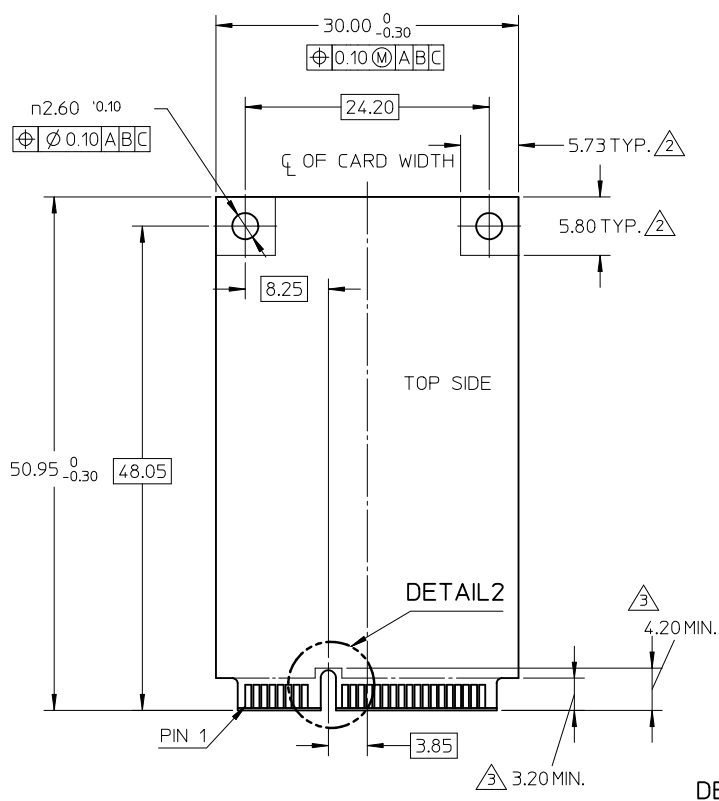
NOTES:

1. THIS LATCH USES WITH MINI PCI EXPRESS CONN.
2. HOUSING:PA46 GLASS FILLED,COLOR:BLACK UL94V-0 METAL SHELL:STAINLESS STEEL,THICKNESS:0.3MM BEAM:STAINLESS STEEL,THICKNESS:0.3MM
3. FINISH:GOLD FLASH PLATED IN SOLDER AREA.
4. DATE CODE:YY:YEAR MM:MONTH DD:DATE
5. THE MOUDLE CARD REFERS TO MINI PCI EXPRESS CARD ELECTROMECHANICAL SPECIFICATION.
6. MATCHED CONNECTOR:67910 SERIES.
7. FOR PICK AND PLACE AREA.
8. PART 48099-5701 COMPLIANT TO ROHS DIRECTIVE 2002/95/EC AND ELV DIRECTIVE 2000/53/EC.

| REVISED EC NO: S2010-0835 DRW: CWANG25 2010/04/05 CHKD: HARVEY 2005/12/14 APPR: NAGESHKIN 2010/04/07 | QUALITY SYMBOLS $F_A=0$ $F_C=0$ $F_B=0$ | GENERAL TOLERANCES (UNLESS SPECIFIED) | | DIMENSION STYLE MM ONLY | | SCALE NTS | DESIGN UNITS METRIC | THIRD ANGLE PROJECTION | | | | | | | | | | | | | | | | | | | | | | | | | | | |
|---|---|---|-------|--|----|----------------------------|-------------------------------|-------------------------------|-------|----------|-------|-------|----------|--------|-------|---------|--------|-------|---|--|----------|------|-------|----------|------------|---|------------|------|--------|------------|--|---------------------------|--|--|--|
| | | <table border="1"> <tr> <th></th> <th>mm</th> <th>INCH</th> </tr> <tr> <td>4 PLACES</td> <td>± ---</td> <td>± ---</td> </tr> <tr> <td>3 PLACES</td> <td>± ---</td> <td>± ---</td> </tr> <tr> <td>2 PLACES</td> <td>± 0.25</td> <td>± ---</td> </tr> <tr> <td>1 PLACE</td> <td>± 0.25</td> <td>± ---</td> </tr> </table> | | | mm | INCH | 4 PLACES | ± --- | ± --- | 3 PLACES | ± --- | ± --- | 2 PLACES | ± 0.25 | ± --- | 1 PLACE | ± 0.25 | ± --- | <table border="1"> <tr> <th>DRAWN BY</th> <th>DATE</th> <th>TITLE</th> </tr> <tr> <td>DAVID HU</td> <td>2005/12/14</td> <td rowspan="2">LATCH FOR MINI PCI-E 0.8MM PITCH 52 CIRCUIT LEAD-FREE</td> </tr> <tr> <th>CHECKED BY</th> <th>DATE</th> </tr> <tr> <td>HARVEY</td> <td>2005/12/14</td> <td></td> </tr> </table> | | DRAWN BY | DATE | TITLE | DAVID HU | 2005/12/14 | LATCH FOR MINI PCI-E 0.8MM PITCH 52 CIRCUIT LEAD-FREE | CHECKED BY | DATE | HARVEY | 2005/12/14 | | MOLEX INCORPORATED | | | |
| | | | mm | INCH | | | | | | | | | | | | | | | | | | | | | | | | | | | | | | | |
| | | 4 PLACES | ± --- | ± --- | | | | | | | | | | | | | | | | | | | | | | | | | | | | | | | |
| 3 PLACES | ± --- | ± --- | | | | | | | | | | | | | | | | | | | | | | | | | | | | | | | | | |
| 2 PLACES | ± 0.25 | ± --- | | | | | | | | | | | | | | | | | | | | | | | | | | | | | | | | | |
| 1 PLACE | ± 0.25 | ± --- | | | | | | | | | | | | | | | | | | | | | | | | | | | | | | | | | |
| DRAWN BY | DATE | TITLE | | | | | | | | | | | | | | | | | | | | | | | | | | | | | | | | | |
| DAVID HU | 2005/12/14 | LATCH FOR MINI PCI-E 0.8MM PITCH 52 CIRCUIT LEAD-FREE | | | | | | | | | | | | | | | | | | | | | | | | | | | | | | | | | |
| CHECKED BY | DATE | | | | | | | | | | | | | | | | | | | | | | | | | | | | | | | | | | |
| HARVEY | 2005/12/14 | | | | | | | | | | | | | | | | | | | | | | | | | | | | | | | | | | |
| ANGULAR ± 3 ° | | MATERIAL NO. 480995701 | | DOCUMENT NO. SD-48099-006 | | SHEET NO. 2 OF 3 | | | | | | | | | | | | | | | | | | | | | | | | | | | | | |

DRAFT WHERE APPLICABLE
MUST REMAIN
WITHIN DIMENSIONS

THIS DRAWING CONTAINS INFORMATION THAT IS PROPRIETARY TO MOLEX INCORPORATED AND SHOULD NOT BE USED WITHOUT WRITTEN PERMISSION



NOTES:
 1. PIN NUMBERING REFERENCE:
 ODD PINS-TOP SIDE
 EVEN PINS-BOTTOM SIDE
 2. COMPONENT AND ROUTING(ALL LAYERS)
 KEEP OUT AREA FOR HOLD DOWN SOLUTIONS
 3. COMPONENT KEEP OUT AREA FOR CONNECTOR

| | | | | | | | | | | |
|---------|----------------------------|-------------------|--|--------|-----------------|---|--------------|------------------------|------------------------|--|
| REVISED | EC NO: S2010-0835 | QUALITY SYMBOLS | GENERAL TOLERANCES (UNLESS SPECIFIED) | | DIMENSION STYLE | | SCALE | DESIGN UNITS | THIRD ANGLE PROJECTION | |
| | DRWN: CWANG25 2010/04/05 | ▽ _A =0 | mm | INCH | MM ONLY | | NTS | METRIC | ⊙ | |
| G | CHKD: HARVEY 2005/12/14 | ▽ _E =0 | 4 PLACES | ± --- | ± --- | DRAWN BY | DATE | TITLE | | |
| | APPR: NAGESHKIN 2010/04/07 | ▽ _F =0 | 3 PLACES | ± --- | ± --- | DAVID HU | 2005/12/14 | LATCH FOR MINIPCI-E | | |
| | | ▽ _P =0 | 2 PLACES | ± 0.25 | ± --- | CHECKED BY | DATE | 0.8MM PITCH 52 CIRCUIT | | |
| | | | 1 PLACE | ± 0.25 | ± --- | HARVEY | 2005/12/14 | LEAD-FREE | | |
| | | | ANGULAR ± 3 ° | | | APPROVED BY | DATE | MOLEX INCORPORATED | | |
| | | | DRAFT WHERE APPLICABLE MUST REMAIN WITHIN DIMENSIONS | | | NAGESHKIN | 2010/04/07 | MOLEX INCORPORATED | | |
| | | | | | | MATERIAL NO. | DOCUMENT NO. | SHEET NO. | | |
| | | | | | | 480995701 | SD-48099-006 | 3 OF 3 | | |
| | | | | | | THIS DRAWING CONTAINS INFORMATION THAT IS PROPRIETARY TO MOLEX INCORPORATED AND SHOULD NOT BE USED WITHOUT WRITTEN PERMISSION | | | | |