

ActiveQRTM Quasi-Resonant PWM Controller

FEATURES

- Quasi-Resonant Operation
- Adjustable up to 75kHz Switching Frequency
- Accurate OCP/OLP Protection
- Integrated Patented Frequency Foldback Technique
- Integrated Patented Line and Primary Inductance Compensation
- Built-in Soft-Start Circuit
- Line Under-Voltage, Thermal, Output Over-voltage, Output Short Protections
- Current Sense Resistor Short Protection
- Transformer Short Winding Protection
- 100mW Standby Power
- Complies with Global Energy Efficiency and CEC Average Efficiency Standards
- Tiny SOT23-6 Packages

APPLICATIONS

- AC/DC Adaptors/Chargers for Cell Phones, Cordless Phone, PDAs, E-books
- Adaptors for Portable Media Player, DSCs, Set-top boxes, DVD players, records
- Linear Adapter Replacements

GENERAL DESCRIPTION

The ACT511 is a high performance peak current mode PWM controller. ACT511 applies *ActiveQRTM* and frequency foldback technique to reduce EMI and improve efficiency. ACT511's maximum switching frequency is set at 90kHz. Very low standby power, good dynamic response and accurate voltage regulation is achieved with an opto-coupler and the secondary side control circuit.

The burst mode operation enables low standby power of 100mW with small output voltage ripple. By applying frequency foldback and *ActiveQRTM* technology, ACT511 increases the average system efficiency compared to conventional solutions and exceeds the latest ES2.0 efficiency standard with

good margin.

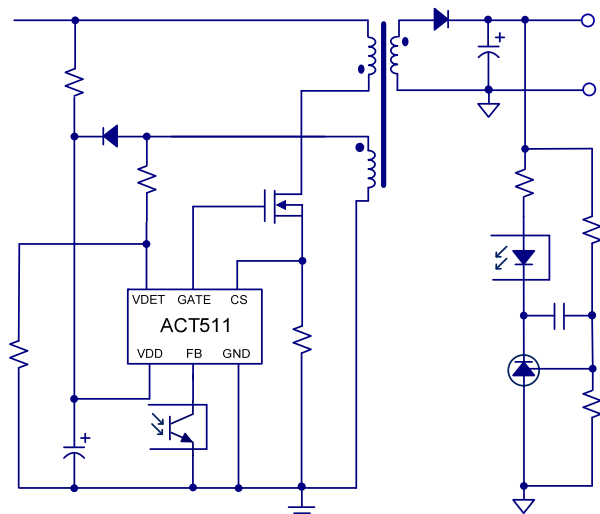
ACT511 integrates comprehensive protection. In case of over temperature, over voltage, short winding, short current sense resistor, open loop and overload conditions, it would enter into auto restart mode including Cycle-by-Cycle current limiting.

ACT511 is to achieve no overshoot and very short rise time even with big capacitive load (4000 μ F) with the built-in fast and soft start process.

The Quasi-Resonant (QR) operation mode can effectively improve efficiency, reduce the EMI noise and further reduce the components in input filter.

ACT511 is for application up to 60 Watt.

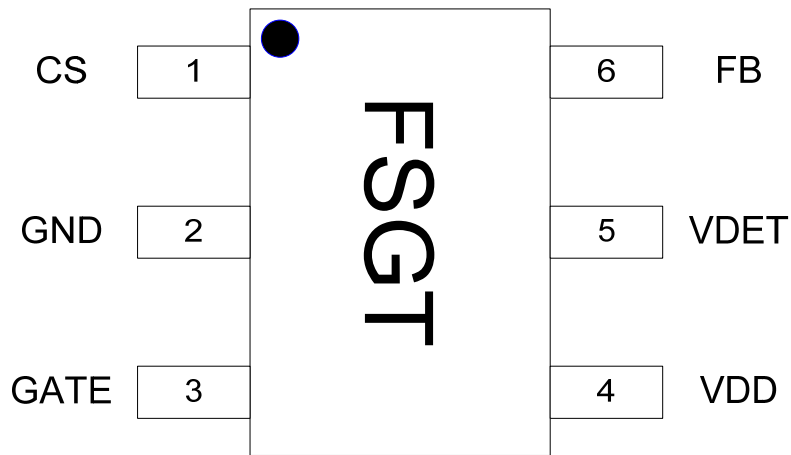
Figure 1:
Simplified Application Circuit



ORDERING INFORMATION

PART NUMBER	TEMPERATURE RANGE	PACKAGE	PINS	PACKING METHOD	TOP MARK
ACT511US-T	-40°C to 85°C	SOT23-6	6	TUBE & REEL	FSGT

PIN CONFIGURATION



SOT23-6
ACT511US

PIN DESCRIPTIONS

PIN	NAME	DESCRIPTION
1	CS	Current Sense Pin. Connect an external resistor (R_{CS}) between this pin and ground to set peak current limit for the primary switch.
2	GND	Ground.
3	GATE	Gate Drive. Gate driver for the external MOSFET transistor.
4	VDD	Power Supply. This pin provides bias power for the IC during startup and steady state operation.
5	VDET	Valley Detector Pin. Connect this pin to a resistor divider network from the auxiliary winding to detect zero-crossing points for valley turn on operation.
6	FB	Feedback Pin. Connect this pin to optocouplers's collector for output regulation.

Figure 4:
Universal VAC Input, 5V/3A Output Adaptor

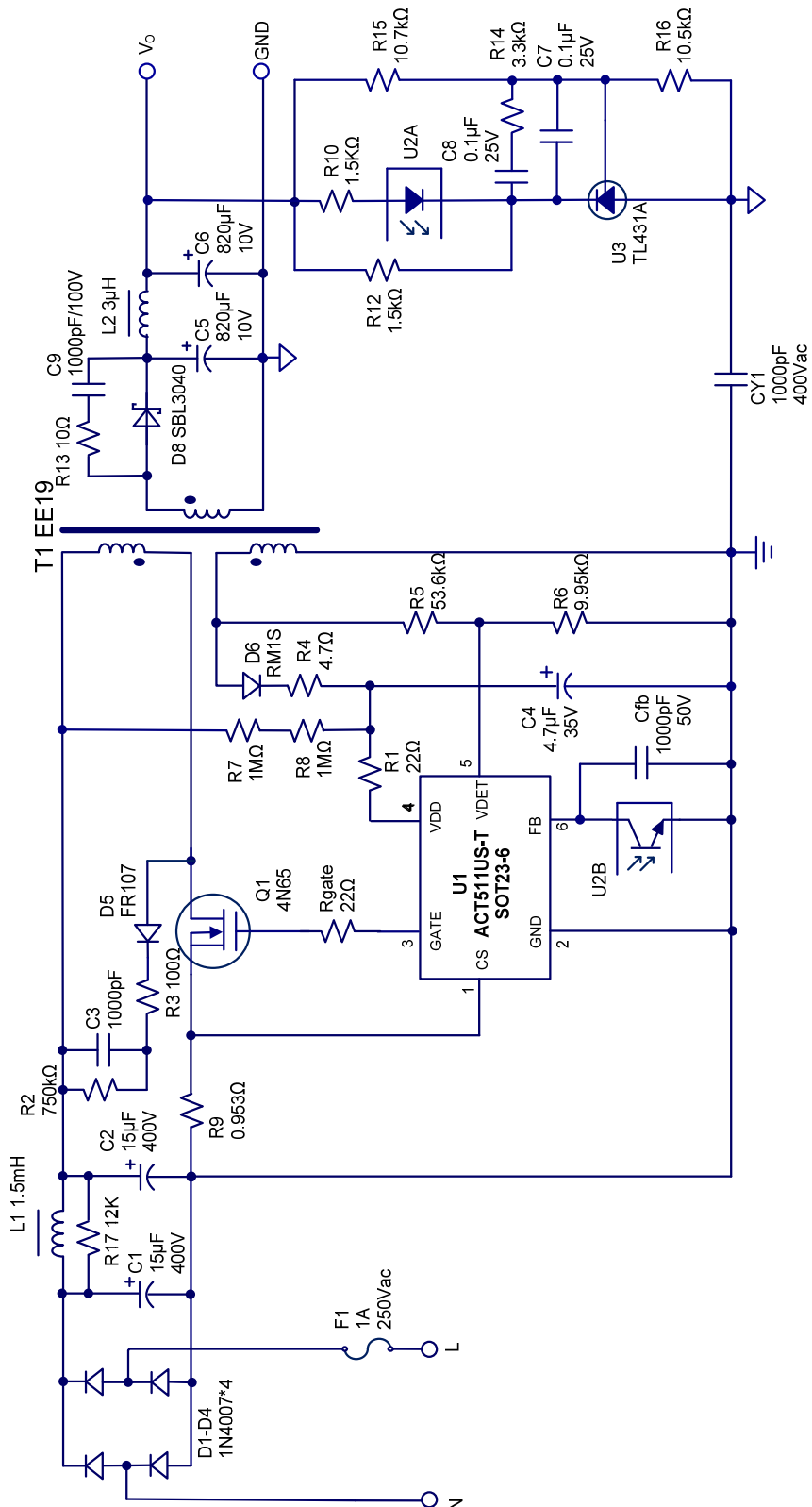


Table 1:
ACT511 5V15W Bill of Materials

ITEM	REFERENCE	DESCRIPTION	QTY	MANUFACTURER
1	U1	IC, ACT511, SOT23-6	1	Active-Semi
2	C1,C2	Capacitor, Electrolytic, 15 μ F/400V, 12 × 14mm	2	KSC
3	C3	Capacitor, Ceramic, 1000pF/500V, 0805, SMD	1	POE
4	C4	Capacitor, Electrolytic, 4.7 μ F/35V, 5 × 11mm	1	KSC
5	C5,C6	Capacitor, Electrolytic, 820 μ F/10V, 10 × 11.5mm	2	KSC
6	C7,C8	Capacitor, Ceramic, 0.1 μ F/25V, 0805, SMD	2	POE
7	C9	Capacitor, Ceramic, 1000pF/100V, 0805, SMD	1	POE
8	Cfb	Capacitor, Ceramic, 1000pF/50V, 0805, SMD	1	POE
9	D1-D4	Diode, Rectifier, 1000V1A, 1N4007, DO-41	4	Good-Ark
10	D5,D6	Diode, Ultra Fast, FR107, 1000V/1.0A, DO-41	2	Good-Ark
11	D8	Diode, Schottky, 40V/30A, SBL3040, DO-220	1	Good-Ark
12	L1	DM Inductor, 1.5mH, R5	1	SoKa
13	L2	DM Inductor, 3 μ H, R5	1	SoKa
14	Q1	Mosfet Transistor, 4N65, TO-220F	1	ST
15	PCB1	PCB, L*W*T = 48.5x29x1.6mm, Cem-1, Rev:A	1	Jintong
16	F1	Fusible, 1A/250V	1	TY-OHM
17	R1	Carbon Resistor, 22 Ω , 0805, 5%	1	TY-OHM
18	R2	Carbon Resistor, 750k Ω , 1W, 5%	1	TY-OHM
19	R3	Chip Resistor, 100 Ω , 0805, 5%	1	TY-OHM
20	R4	Chip Resistor, 4.7 Ω , 0805, 5%	1	TY-OHM
21	R5	Chip Resistor, 53.6k Ω , 0805, 1%	1	TY-OHM
22	R6	Chip Resistor, 9.95k Ω , 0805, 1%	1	TY-OHM
23	R7,R8	Chip Resistor, 1M Ω , 0805, 5%	2	TY-OHM
24	R9	Chip Resistor, 0.953 Ω , 1W, 1%	1	TY-OHM
25	R10,R12	Chip Resistor, 1.5K Ω , 0805, 5%	2	TY-OHM
26	Rgate	Chip Resistor, 22k Ω , 0805, 5%	1	TY-OHM
27	R14	Chip Resistor, 3.3k Ω , 0805, 5%	1	TY-OHM
28	R15	Chip Resistor, 10.7k Ω , 0805, 1%	1	TY-OHM
29	R16	Chip Resistor, 10.5k Ω , 0805, 1%	1	TY-OHM
30	T1	Transformer, L _P = 0.68mH, EE19	1	
31	CY1	Y capacitance, 1000pF/400V, Y1	1	SEC
32	U2	Opto-coupler, PC817C CTR = 200	1	Sharp
33	U3	Voltage Regulator, TL431A, V _{REF} = 2.5V	1	ST