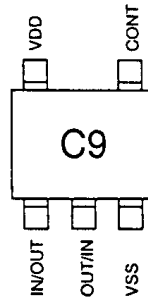
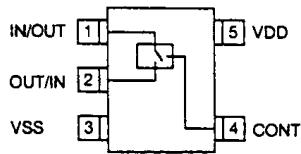


4) TC4S66F (XA0115)

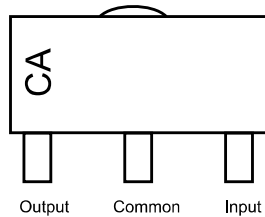
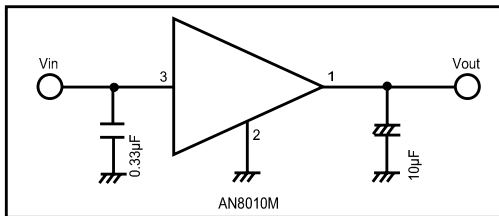
Bilateral Switch



5) AN8010M (XA0119)

10V Voltage Regulator

Test Circuit

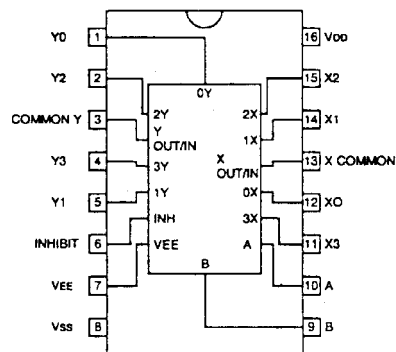
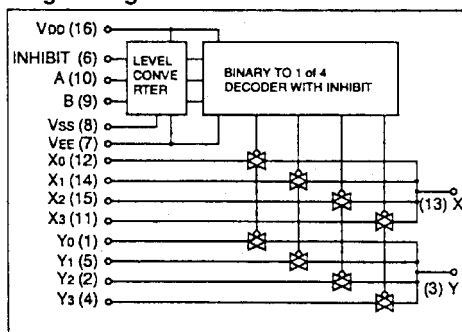


AN8010M

6) BU4052BF (XA0236)

Analog Multiplexer/Demultiplexer

Logic Diagram



Truth Table

INHIBIT	A	B	ON SWITCH
L	L	L	X0 Y0
L	H	L	X1 Y1
L	L	H	X2 Y2
L	H	H	X3 Y3
H	X	X	NONE

X: Don't Care